

# Safety Instructions & Operators Manual

**COUNTRY**  
**CLIPPER**®  
ZERO TURN MOWER

**BOSS XL**

1515

Congratulations for buying a **Country Clipper** product. Your **Country Clipper** Zero Turning Radius Riding Mower was designed and built to provide long and trouble free service. Keep in mind that it, like any other mechanical device, can be potentially dangerous if used improperly, and hazard control and accident prevention are dependent upon the awareness, concern, prudence, and proper training of personnel involved in the operation, transport, maintenance, and storage of the equipment. Study this manual and pay special attention to the important Safety Precautions on pages 2-4. Following these instructions will help you continue to enjoy the trouble-free performance



# TABLE OF CONTENTS

## I. SAFETY

Accident Patterns to Avoid-----	2
Safety Instructions and Recommendations-----	2-4
Safety Interlock Systems -----	4

## II. START UP AND OPERATION

Checklist Before Operation -----	4
Operation – Joystick -----	5
Operation – Twinstick -----	6-7
Mowing Recommendations -----	7

## III. MAINTENANCE

Maintenance Schedule -----	8
Maintenance Instructions -----	9-15
Raising and Lowering Deck for Servicing -----	16-18
Deck Flip Jack Assembly and Operation-----	19-21
Leveling the Deck -----	22
Adjusting the Latch Plate-----	23
Troubleshooting Checklist -----	24-25

IV. Wiring Schematic -----	26-27
----------------------------	-------

# SAFETY

## ACCIDENT PATTERNS TO AVOID

- I. **CONTACT WITH THE ROTATING BLADE** -- This accident usually happens when the operator is clearing the discharge chute of grass, (especially when the grass is wet), or when the operator adjusts the machine without turning it off and waiting for the blades to completely stop.
- II. **PROPELLED OBJECTS** -- Sticks, rocks, wires, and other objects can be propelled out through the discharge chute or from under the deck housing. Bystanders are particularly vulnerable.
- III. **GRASS CATCHER OR GUARD** -- The mower shall not be operated without either the entire grass catcher or guard in place.
- IV. **OVERTURNING** -- This happens when riding mowers are used on steep slopes, embankments or hills. The operator in these cases can come in contact with the blades or sustain injuries during a fall.
- V. **MOWER RUNNING OVER THE VICTIM** -- This usually happens when a riding mower is driven in reverse. The accident victims are most often young children whom, unseen by the operator of the mower, were in the area being mowed.

AT **COUNTRY CLIPPER**, WE SHARE YOUR DESIRE TO PROTECT YOURSELF, YOUR FAMILY, YOUR FRIENDS AND YOUR NEIGHBORS FROM ACCIDENTAL INJURY. OBSERVING AND ENFORCING THE FOLLOWING GUIDELINES WILL HELP TO ENSURE THE SAFETY OF EVERYONE.

## PLEASE BE CAREFUL!

## SAFETY INSTRUCTIONS AND RECOMMENDATIONS

1. **PEOPLE WHO OPERATE, SERVICE, OR ARE OTHERWISE ASSOCIATED**

with the **Country Clipper** Zero Turning Radius Mower should be trained in its proper use and warned of its dangers. Before operating, adjusting, or servicing the **Country Clipper** Zero Turning Radius Mower they should read and understand this entire manual and the engine owner's manual.

2. **AVOID CONTACT WITH MOVING PARTS.** Keep hands and feet from under mowing deck and away from blades at all times. Turn engine (motor) off if you must unclog the chute.
3. **AVOID HILLS AND SLOPES.** Use extreme caution when mowing up or down slopes. NEVER mow across the face of a slope. If a slope must be ascended, back up the slope; drive forward when descending. Reduce speed and use caution to start, stop and maneuver. To prevent loss of control on a slope avoid sharp turns, sudden changes in direction, and sudden stops and starts.
4. **DISENGAGE POWER TO MOWER BEFORE BACKING UP.** Do not mow in reverse unless ABSOLUTELY necessary and then only after turning around and observing the entire area behind the mower. Go slowly. Most "running over victim" accidents occur in reverse.
5. **BEGINNING OPERATORS SHOULD LEARN HOW TO STEER** the **Country Clipper** Zero Turning Radius Mower before attempting to mow. Start with slow engine speed and drive without the blades engaged in an open area until comfortable with the machine.
6. **KNOW HOW TO STOP QUICKLY.** Know the location and operation of every control, especially how the brake and how to disengage the mower blades.
7. **DO NOT MOVE CONTROL LEVER(S)** from forward position to reverse position rapidly. The speed and/or direction of travel is affected instantly by movement of the Control Lever(s).

8. **DO NOT ALLOW CHILDREN TO OPERATE MOWER.** Do not allow others who have not had instruction to operate mower.
9. **ALWAYS TURN ENGINE OFF AND REMOVE KEY** before leaving the mower to prevent children and inexperienced operators from starting the engine. Never leave the mower unattended with engine running. Always wait for all moving parts and all sounds to stop before leaving operator's seat.
10. **WEAR STURDY, ROUGH-SOLED WORK SHOES AND CLOSE-FITTING SLACKS AND SHIRTS.** Never operate mower in bare feet, sandals or sneakers.
11. **NEVER CARRY PASSENGERS.**
12. **KNOW THE AREA YOU ARE TO MOW.** Watch for hidden danger such as rocks, roots, sticks, holes, bumps, and drop-offs, etc. Before mowing, pick up all debris in area to be mowed. Sharp and hard objects can be propelled at a high speed and can act like shrapnel. Walk through tall grass **BEFORE MOWING** to make sure there are no hidden dangers. Mow higher than desired in tall grass to expose any hidden objects and/or obstacles, clean the area, and then mow to the desired height.
13. **NEVER REFUEL A MOWER INDOORS.** Allow the engine time to cool before refueling. Unseen vapors may be ignited by a spark. Always clean up spilled gasoline. Never run the engine indoors in a garage or any other closed building. Allow engine to cool before storing in any enclosure. The engine exhaust and gasoline fumes are dangerous.
14. **NEVER REMOVE THE FUEL CAP** or add gasoline to a running or hot engine that has not been allowed to cool for several minutes after running. Always make sure the gas cap is in place.
15. **DO NOT SMOKE AROUND THE MOWER** or the gasoline storage container. Gasoline fumes can easily ignite.
16. **KEEP GASOLINE IN A WELL-VENTILATED AREA** away from your living quarters and in tightly-capped safety cans. Never store mower with gasoline in the tank inside a building where fumes may reach open flame or spark.
17. **DISENGAGE BLADES, STOP ENGINE AND REMOVE IGNITION KEY** before any servicing. Be sure all moving parts and all sounds have stopped. Let engine cool and disconnect the spark plugs so the engine cannot start by accident. A SLIGHT ROTATION OF THE BLADES COULD START THE ENGINE.
18. **KEEP ALL NUTS, BOLTS, AND SCREWS TIGHT** to be sure equipment is in safe working condition, especially blade mounting bolts.
19. **VEHICLE SHOULD BE STOPPED AND INSPECTED FOR DAMAGE** after striking a foreign object and the damage should be repaired before restarting and operating the equipment. Stop immediately and check for damage or loose parts if mower should start vibrating.
20. **DISENGAGE BLADES BEFORE DRIVING ACROSS WALKS** or projecting objects.
21. **KEEP SAFETY DEVICES AND GUARDS IN PLACE.** If any of the safety switches become inoperable, have them repaired immediately.
22. **FOR PROPER USE OF ROLL OVER PROTECTION SYSTEM (R.O.P.S.)** reference the R.O.P.S. manufactures instructions. (If equipped)
23. **DO NOT STEP OR STAND ON THE MOWER DECK HOUSING.** Step or stand only on the foot deck.
24. **WATCH OUT FOR TRAFFIC** near roadways and when crossing roads.
25. **DO NOT USE MOWER WHEN GRASS IS WET AND SLIPPERY.**
26. **MOW ONLY DURING DAYLIGHT.**

27. **THIS MACHINE IS NOT MEANT FOR HIGHWAY OR STREET USE.** It is not a recreational vehicle and it should not be operated as such.
28. **ALWAYS DISENGAGE THE MOWER BLADE CLUTCH** when transporting.

2. Make sure dirt and foreign matter is kept out of gas tank. Use a clean funnel and gas can.

## SAFETY INTERLOCK SYSTEMS

Your **Country Clipper** Zero Turning Radius Mower is equipped with switches interlocked for your safety.

**ON JOYSTICK MODELS** NEUTRAL IS WHEN THE JOYSTICK IS IN THE “**DOWN**” POSITION.

**ON TWIN STICK MODELS** NEUTRAL IS WHEN BOTH HANDLES ARE IN THE “**OUT**” POSITION.

1. The mower blades must be disengaged before engine will start.
2. The Control Lever(s) must be in the neutral position before the engine will start.
3. The engine will stop if the mower blade clutch is engaged when the operator leaves the driver’s seat.
4. The engine will stop if the Control Lever(s) are not in the neutral position when the operator leaves the driver’s seat.
5. The engine will stop if the brake is “**SET**” and the Control Lever(s) are not in the neutral position.
6. The engine will stop if the brake is “**SET**” and the mower blade clutch is engaged.

**DO NOT OPERATE MOWER IF SAFETY SWITCHES ARE NOT OPERATING PROPERLY**

## START UP AND OPERATION

### CHECKLIST BEFORE OPERATION

1. Make sure fuel tank is full. Use regular unleaded gasoline (see engine owner’s manual for more details).

WARNING

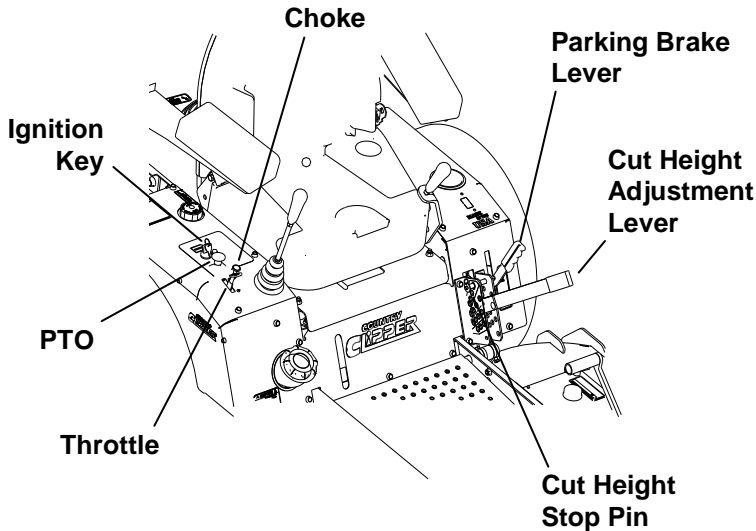
HANDLE GASOLINE WITH CARE -- IT IS HIGHLY FLAMMABLE. DO NOT SMOKE. ENGINE SHOULD BE OFF AND COOL. USE APPROVED GAS CONTAINER. NEVER FILL TANK INDOORS. WIPE UP ANY SPILLS. REPLACE CAP TIGHTLY.

3. Do not mix oil with gasoline.
4. Do not use white, high test or premium gasoline. Do not use de-icers, carburetor cleaners, or other such additives.
5. Check the crankcase oil level. Make sure the engine is off. The mower should be parked on a level area. Do not overfill. (See your engine manual for more detailed instruction.)
6. Check the hydrostatic transmission oil level. (See “Maintenance” section of this manual.)
7. Check battery fluid level.
8. Inspect V-belts.
9. Check tire pressure:
 

Model	Front tires	Rear tires
All Models	12 psi	18 psi
10. Make sure underside of mower deck is free of grass.
11. Make sure mower blades are sharp and secured tightly.
12. Clean the air intake screen on the engine if necessary.
13. Perform any other maintenance as it becomes necessary. (See the “Maintenance” section of this manual.)
14. If equipped with R.O.P.S. (Roll Over Protection System) reference manufactures instructions.

**IMPORTANT:** Before cutting grass, clutch must be broken-in as follows: With engine at full RPM engage deck until blades come to full speed and then disengage until blades come to a complete stop. Repeat 10 times to seat clutch properly.

## JOYSTICK CONTROL LOCATIONS



6. TURN IGNITION KEY to "START" position and release to "RUN" as soon as engine starts. NOTE: Prolonged cranking will damage starter motor and shorten the battery life.
7. ADJUST ENGINE THROTTLE AND CHOKE for desired engine smoothness and speed.  
NOTE: When mowing always run engine at full throttle.
8. RELEASE PARKING BRAKE. Push brake lever down to release.

**IMPORTANT:** Until the operator is familiar with the **Country Clipper** Zero Turning Radius Mower, he/she should follow these recommendations: Disengage the mower blades. Go very slowly until thoroughly familiar with the machine. Keep away from fences, buildings, and other obstructions. Move the Joystick Control Lever smoothly and slowly. Practice until operation is smooth and efficient.

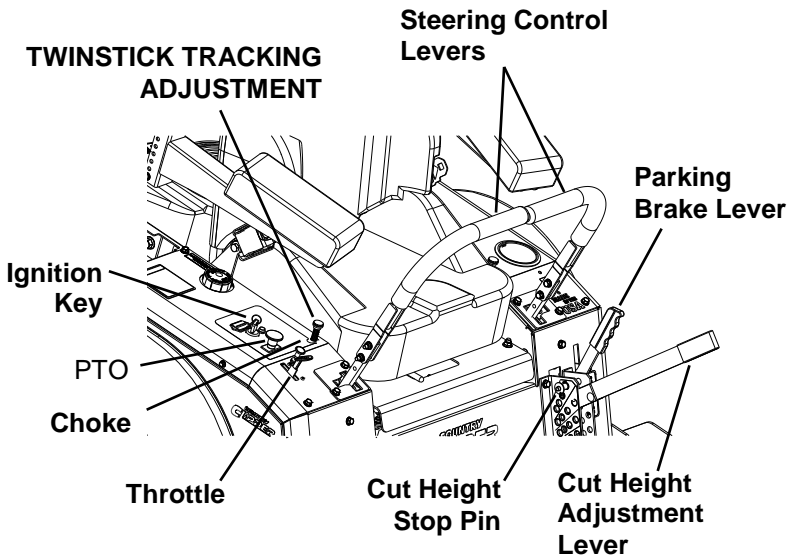
**⚠ WARNING ⚠**

**AVOID INHALING EXHAUST FUMES -- CARBON MONOXIDE GAS IS COLORLESS AND ODORLESS, AND CAN CAUSE UNCONSCIOUSNESS, AND IS POTENTIALLY LETHAL. DO NOT RUN LAWN MOWER IN GARAGE OR OTHER CONFINED AREA.**

## OPERATION - JOYSTICK

1. MOVE JOYSTICK CONTROL LEVER TO neutral "DOWN" position.
2. SET PARKING BRAKE. Pull up to set.
3. DISENGAGE MOWER BLADE CLUTCH by moving clutch switch to "OFF" position.
4. PULL ENGINE CHOKE CONTROL to full position for cold starts (non fuel injected models)
5. SET ENGINE THROTTLE TO 1/2 THROTTLE.
9. TO DRIVE: Move the Joystick Control Lever to the "UP" position. Move the Joystick Control Lever forward to move forward. Increasing forward movement of the Joystick Control Lever will increase the speed of travel. To reverse the direction, pull the Joystick Control Lever slightly back. To turn, move the Joystick Control Lever toward the direction you want to turn.. To turn on a zero radius axis, go slowly and move the Joystick Control Lever to the side you wish to turn and slightly to the rear at the same time.
10. Make sure mower blades are sharp and secured tightly.
11. Clean the air intake screen on the engine if necessary.
12. Perform any other maintenance as it becomes necessary. (See the "Maintenance" section of this manual.)

## TWINSTICK CONTROL LOCATIONS



**⚠ WARNING ⚠**

**AVOID INHALING EXHAUST FUMES -- CARBON MONOXIDE GAS IS COLORLESS AND ODORLESS, AND CAN CAUSE UNCONSCIOUSNESS, AND IS POTENTIALLY LETHAL. DO NOT RUN LAWN MOWER IN GARAGE OR OTHER CONFINED AREA.**

### OPERATION – TWINSTICK

1. MOVE STEERING CONTROL LEVERS TO neutral “OUT” position.
2. SET PARKING BRAKE. Pull up to set.
3. DISENGAGE MOWER BLADE CLUTCH by moving clutch switch to “OFF” position.
4. PULL ENGINE CHOKE CONTROL to full position for cold starts (on non-fuel injected models).
5. SET ENGINE THROTTLE TO 1/2 THROTTLE.
6. TURN IGNITION KEY to “START” position and release to “RUN” as soon as engine starts. NOTE: Prolonged cranking will damage starter motor and shorten the battery life.
7. ADJUST ENGINE THROTTLE AND CHOKE for desired engine smoothness and speed.  
NOTE: When mowing, always run engine at full throttle.

8. RELEASE PARKING BRAKE. Push brake lever down to release.

**IMPORTANT:** Until the operator is familiar with the Country Clipper Zero Turning Radius Mower, he/she should follow these recommendations: Disengage the mower blades. Go very slowly until thoroughly familiar with the machine. Keep away from fences, buildings, and other obstructions. Move the Steering Control Levers smoothly and slowly. Practice until operation is smooth and efficient.

9. TO DRIVE: Move the Steering Control Levers to the “IN” position. Move the Steering Control Levers forward to move forward. Increasing forward movement of the Steering Control Levers will increase the speed of travel. To reverse the direction, pull the Steering Control Levers slightly back. To turn, move one Steering Control Lever slightly ahead of the other. To turn on a zero radius axis, go slowly and move one Steering Control Lever forward and one Steering Control Lever rearward. (For a right hand turn the left hand Steering Control Lever will be ahead of the right hand Steering Control. For a left hand turn the right hand Steering control will be ahead of the left hand Steering Control.)

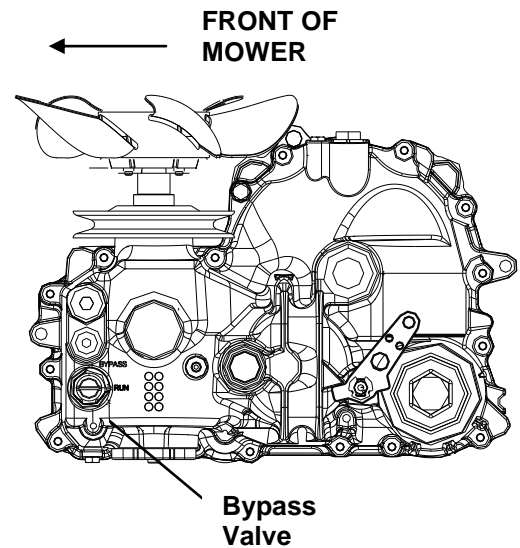
**⚠ CAUTION ⚠**

**FOR SMOOTH, SAFE OPERATION, MOVE THE CONTROL LEVER(S) IN A GENTLE, SLOW MOTION. NEVER PULL OR PUSH THE CONTROL LEVER(S) RAPIDLY, ESPECIALLY ON GRADES.**

10. BRAKING: To brake mower, gently move the Control Lever(s) in the direction opposite to travel. If the parking brake is engaged with the Joystick Control Lever in the “UP” position or the Twin Sticks (if equipped) in the “IN” position the engine will stop.
11. CUTTING HEIGHT ADJUSTMENT: With the Cut Height Adjustment Lever latched into the top cut height latch, insert Cut Height Stop Pin to desired cutting height. Pull Cut Height Adjustment Lever rearward and then to the left to clear top cut height latch. Lower Cut Height Adjustment Lever until it rests on Cut Height Stop Pin.



12. **ENGAGE MOWER BLADE CLUTCH:**  
Set the Blade Clutch Switch to the “ON” position. The engine will not start if the blade clutch is engaged. If the operator is not in the seat, the engine will stop if the clutch is engaged.



**! CAUTION !**

AVOID HILLS AND SLOPES. USE EXTREME CAUTION WHEN MOWING UP OR DOWN SLOPES. NEVER MOW ACROSS THE FACE OF A SLOPE. IF A SLOPE MUST BE ASCENDED, BACK UP THE SLOPE; DRIVE FORWARD WHEN DESCENDING.

13. **TO STOP:**
- A(1). Move Joystick Control Lever to neutral position and then to the “DOWN” position.
  - A(2). Move the Twinstick handles to the neutral position and then push both handles out as far as they will go.
  - B. Disengage the mower blade clutch by moving the clutch to the “OFF” position.
  - C. Set the parking brake.
  - D. Turn ignition key to “OFF” (left) position.
  - E. Remove the key and wait for all movement and all sound to cease before dismounting.

**! CAUTION !**

**NEVER OPERATE MOWER WITHOUT DISCHARGE CHUTE**

**MOWING RECOMMENDATIONS**

1. Keep mower blades sharp.
2. Make sure deck and discharge are clean.

**! CAUTION !**

**WHEN LEAVING THE MOWER UNATTENDED, ALWAYS REMOVE THE KEY AND SET THE PARKING BRAKE, EVEN IF JUST FOR A FEW MOMENTS. HELP PROTECT CHILDREN AND OTHER UNAUTHORIZED PERSONS FROM ACCIDENTS.**

**! CAUTION !**

**POWER MUST BE OFF TO CLEAN DISCHARGE CHUTE. TURN ENGINE OFF AND WAIT FOR ALL MOVING PARTS TO STOP.**

14. **TO FREE WHEEL MACHINE:**  
Unscrew the bypass valves (1/4 turn counter clockwise) found on the left front of the right pump and the valve on the right front of the left pump. Use a wide blade straight screwdriver.

3. When mowing tall grass, make two passes, mowing off 1/2 of the desired cut on the first pass, and then the desired height the second pass. Check for hidden dangers first.
4. Go slowly for trimming.
5. Always cut grass with the engine at full throttle speed. This “ENGINE” speed allows the cutting blades to operate at optimum cutting speed. Control “GROUND” speed with the Control Lever(s).
6. Vary ground speed to suit conditions (i.e. go slower in tall thick grass, on hills, wet conditions, etc.)

## MAINTENANCE



### CAUTION



**BEFORE PERFORMING ANY MAINTENANCE, TURN OFF ENGINE  
REMOVE KEY AND DISCONNECT SPARK PLUGS. USE EXTREME CARE WHEN WORKING ON  
MACHINERY. DO NOT WEAR WATCHES OR JEWELRY. DO NOT WEAR LOOSE FITTING  
CLOTHES, AND OBSERVE ALL COMMON SAFETY PRACTICES WITH TOOLS.**

Maintenance Service Interval	Maintenance Procedure
Before Each Use or Daily	<input type="checkbox"/> Check Engine Oil Level. <input type="checkbox"/> Check Mower Blades. <input type="checkbox"/> Check Operator Presence Control System. <input type="checkbox"/> Check for Loose Hardware. <input type="checkbox"/> Clean Engine Cooling System. <input type="checkbox"/> Remove Debris From Engine. <input type="checkbox"/> Remove Debris Build-Up Hydrostatic Transmission & Cooler
After Each Use or Daily	<input type="checkbox"/> Clean Grass Build-Up from Deck Cutting Chamber.
After First 5 Hours	<input type="checkbox"/> Change Engine Oil.
After First 100 Hours	<input type="checkbox"/> Check Wheel Lug Nuts. (75 ft/lbs or 102 Nm) <input type="checkbox"/> Change Hydraulic Filter.
Every 10 Hrs	<input type="checkbox"/> Check Tire Pressure. (12 Psi / 83 kPa Front 18 Psi / 124kPa Rear) <input type="checkbox"/> Check Battery Fluid <input type="checkbox"/> Sharpen Mower Blades
Every 25 Hours	<input type="checkbox"/> Service Air Cleaner. (Increase Frequency Under Severe Conditions. See Engine Owner's Manual for additional information.)
Every 50 hours	<input type="checkbox"/> Check Hydraulic Oil Level. <input type="checkbox"/> Check Drive Belt Condition. <input type="checkbox"/> Check Engine RPM (3500-3600 rpm)
Every 100 hours	<input type="checkbox"/> Change Engine Oil & Filter. (Increase Frequency Under Severe Conditions. See Engine Owner's Manual for Additional Information.) <input type="checkbox"/> Remove Engine Shrouds & Clean Cooling Fins. <input type="checkbox"/> Check Spark Plug <input type="checkbox"/> Check Wheel Lug Nuts. (75 ft/lbs or 102 Nm)
Every 400 Hours	<input type="checkbox"/> Change Hydrostatic Transmission Oil & Filter
Every 500 Hours Or Annually	<input type="checkbox"/> Grease Front Caster Pivots <input type="checkbox"/> Replace Air Filter Element <input type="checkbox"/> Check Spark Plugs <input type="checkbox"/> Service Battery

**Replace safety decals when illegible. Write factory for free replacement.**

## MAINTENANCE INSTRUCTIONS

### 1. ENGINE:

For complete maintenance and operating information for your engine, please refer to your engine operating and maintenance instructions furnished by the engine manufacturer and included in your **Country Clipper** Zero Turning Radius Mower information packet.

NOTE: Air intake screen must be kept clean. If plugged, engine may be seriously damaged by overheating.

### 2. BATTERY:

**CAUTION**

**BATTERY ELECTROLYTE IS A POISONOUS AND CORROSIVE SULFURIC ACID SOLUTION. AVOID SPILLING ON SKIN, EYES, AND CLOTHING.**

Keep the electrolyte level above the plates in each cell by adding distilled water as it becomes necessary. Add water just before operating the mower to mix the water with the solution. Be careful not to overfill the battery -- the electrolyte solution is corrosive and can cause damage to surrounding metal parts if it should spill. When taking the battery out of the mower for servicing, make sure to connect the cables to the battery exactly as they were prior to removal. Always disconnect the ground ( - ) wire first and always reconnect the ground ( - ) wire last.

Keep the battery clean. Remove the corrosion around the battery terminals by applying a solution of one part baking soda to four parts water. Coat all exposed terminal surfaces with a light layer of grease or petroleum jelly to prevent corrosion.

NOTE: At temperatures below 32 degrees F (0 degrees C) the full charge state must be maintained to prevent cell electrolyte from freezing and causing permanent battery damage.

### 3. TIRES:

Correct tire pressure is essential for efficient operation of the mower. Check tire pressure as requested in the maintenance schedule. Inflate tires to the pressures listed below:

Model	Front tires	Rear tires
All Models	12 psi	18 psi

Lug nuts should be checked regularly for tightness.

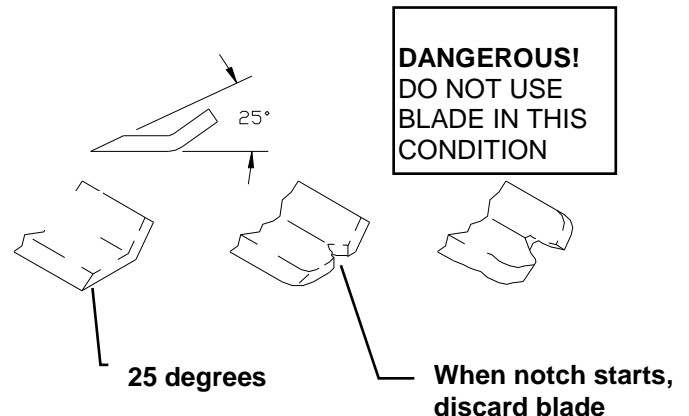
### 4. MOWER BLADES:

Check sharpness of mower blades after every 10 hours of operation. To sharpen blades proceed as follows:

**CAUTION**

**STOP ENGINE, REMOVE IGNITION KEY FOR SAFETY.**

- A. Remove bolt and blade washer mounting blade on shaft. Remove blade.
- B. Blades should be discarded when worn excessively.



- C. Sharpen blades with a hand file, electric grinder or blade sharpener. Wear gloves and eye protection when sharpening. Grind blade at original 25 degree bevel.

- D. Check balance of blade by positioning the blade on a nail or blade balance pedestal. Grind the blade on the end that is heavier until both sides balance.
- E. Install blade, blade washer, and bolt. Make sure to tighten bolt to 100 ft-lbs.

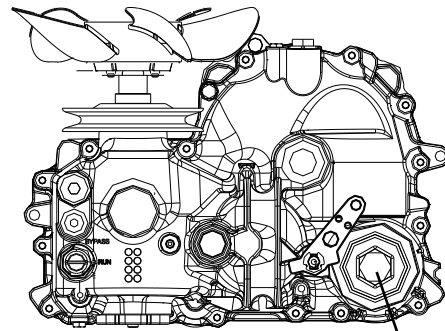
5. V-BELTS:

All belts should be checked every 50 hours. Replace any belts found to be in poor condition. All belts are equipped with spring loaded belt tighteners and do not require tightening adjustments.

6. LUBRICATION:

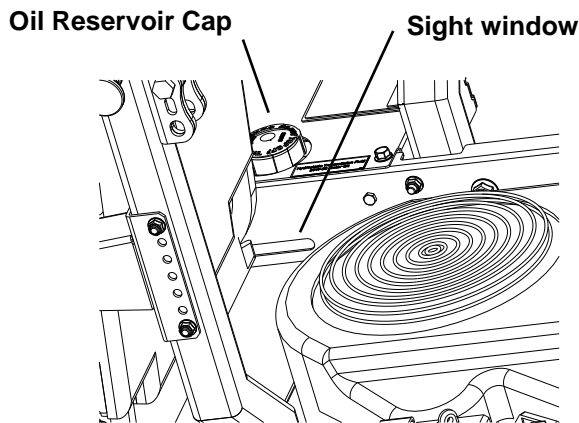
- A. Engine: Follow engine manufacturer's recommendation.
- B. Hydrostatic Transmission & Filter: Follow instructions listed below.

Change the oil in the reservoir and hydrostatic transmission filter after the first 100 hours of use, then every 400 hours after that. Remove the filter and be sure all oil has drained from the reservoir. Replace with new filter and 20W-50 Motor Oil.



Oil filter housing  
1-1/8 hex

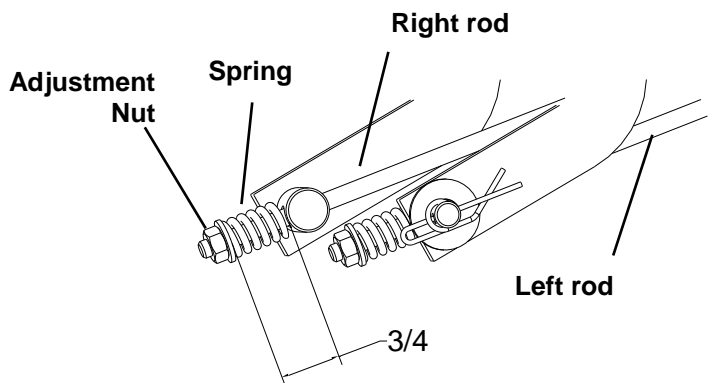
**DIRT OR WATER IN OIL CAN RUIN THE HYDROSTATIC TRANSMISSIONS**



Check the oil level in hydrostatic transmission oil reservoirs after every 25 hours of usage. Check that the level of both reservoirs is visible through the sight window in the side panel. The level should be checked cold. (Slide the seat as far forward as possible for better visibility.) Replenish as needed with 20W-50 Motor Oil. **DO NOT OVER FILL.** When replenishing the oil level, be very careful to keep the reservoir clean.

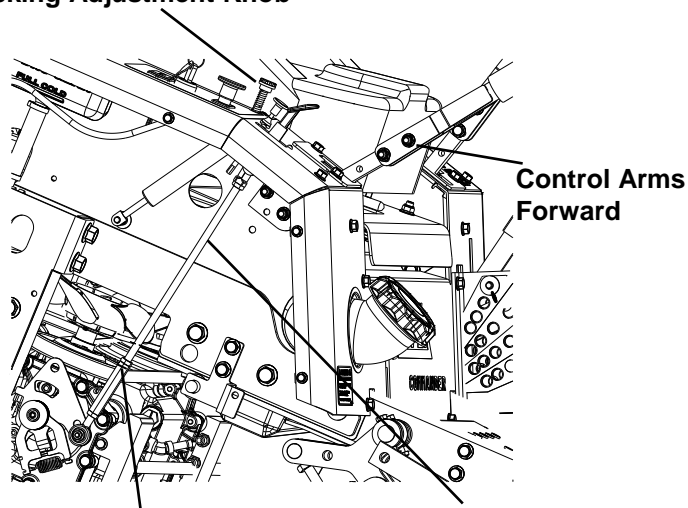
7. PARKING BRAKE ADJUSTMENT:

- A. Pull brake handle up until brakes engage.
- B. Tighten the adjustment nut on the right rod until spring is compressed to 3/4".
- C. Repeat on the left rod.



8. **TWINSTICK CONTROL LEVER FORWARD ADJUSTMENT:**
  - A. Remove the fender skirts from each side of the machine.
  - B. Block up the unit so that the Drive Wheels are off the ground.
  - C. Loosen the locknuts on the turnbuckle on the upper linkage on each side.
  - D. Push both control levers forward until they hit the stops on the control arms.
  - E. Bungee cord the arm at this position and lengthen the upper linkage rods until they bottom out the transmissions.
  - F. Back off the turnbuckles  $\frac{1}{2}$  turn and lock in place with the locknuts.

#### Tracking Adjustment Knob

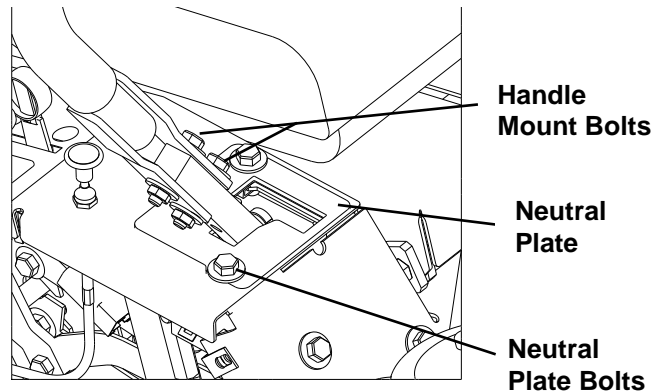


**Note Mark, LH Thread End**

**Shorten length to bottom out transmission, then back off  $\frac{1}{2}$  turn.**

9. **TWINSTICK CONTROL LEVER NEUTRAL ADJUSTMENT:**
  - A. Loosen the bolts holding the Neutral Plate.
  - B. With the engine running, pull back the control lever until the wheel spin is zero.

- C. Tilt the Control lever outward, using the lever, position and tighten the bolts holding the Neutral Plates.



10. **TWINSTICK CONTROL LEVER FORWARD TRACKING:**

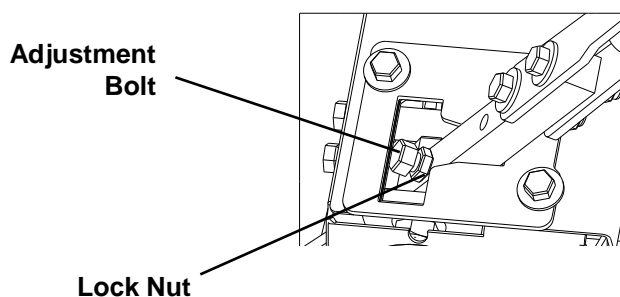
Drive mower in a large open area, & actuate the control levers into the full forward position. If the mower veers in either direction left or right some adjustment is necessary. If the mower veers to the right, then the left transmission needs to be slowed down. If the mower veers to the left, then the right transmission needs to be slowed down.

- A. Stop the machine and shut off the engine.
- B. Slightly loosen the nuts around the turnbuckle on the faster side. Lengthen the linkage rod by  $\frac{1}{4}$  turn increments, retighten and retest, until the mower tracks straight.
- C. Once the tracking is to the operator's liking, completely tighten the nuts on the turnbuckle. Recheck and adjust the Neutral Plate, if required.
- D. Reinstall the side plates and tighten all bolts.
- E. If the forward tracking still requires "fine tuning", use the on-the-fly tracking adjustment knob on top of the fender cap, next to the Control lever. Make small adjustments to full forward as needed.

11. TO ADJUST “IN” OR OPERATING POSITION OF THE TWINSTICK STEERING CONTROL LEVERS:

If the Control levers are too close in the center or the Control levers drag on the Neutral Plate, adjust as follows:

- A. Tilt the Control lever outward, loosen the locknut and adjust the bolt until the gap between the handles is correct or the Control lever does not rub the Neutral Plates.
- B. Tighten the locknut after the adjustment is made.



**NOTE:** To prevent damage to Control Linkages the Control Lever must always hit on the Stop Screws. Never adjust Stops out so that the Control Lever “bottoms” out on other parts of the linkage.

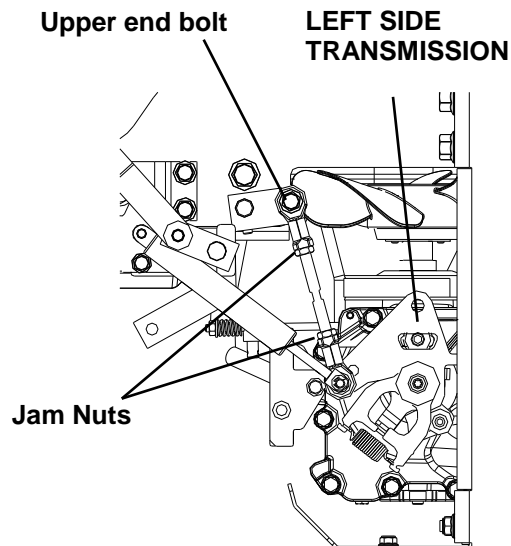
12. ALIGNING THE HANDLES:

Once forward tracking and neutral are set, the handle position may be adjusted for operator comfort and alignment. Loosening the handle mount bolts, move the levers into the desired position and re-tighten the mounting bolts securely.

**JOYSTICK ADJUSTMENT**

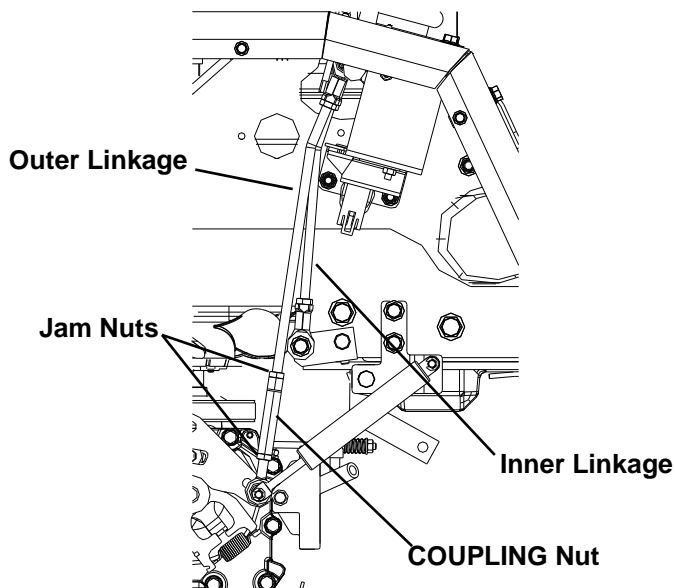
1. **SETTING TRACKING AND FORWARD SPEED:**

- A. The initial setting is done with the engine **TURNED OFF**.
- B. Remove both fender skirts.
- C. Start by setting the RH transmission speed. Disconnect the linkage that is connected to the **left** side transmission at the upper end.



**LEFT SIDE TRANSMISSION**

- D. On the outside (long) linkage that links the joystick to the **right** side transmission, Loosen the jam nuts on both ends of the coupling nut. (Upper is a left-hand thread.) Rotate the coupling nut several turns to lengthen it.



**RIGHT SIDE TRANSMISSION**

**IMPORTANT:**

Use two wrenches (one on the nut and one on the coupling nut or rod end housing) when loosening or tightening jam nuts to prevent damaging the rod end ball joints!

- E. Lift the joystick control handle out of the neutral position and hold it firmly in the full forward position. Now, by hand, rotate the coupling nut shortening the linkage until resistance is felt from the transmission control bottoming out in the transmission. Rotate the coupling nut back and forth a couple times to confirm, and mark this position.
- F. Now rotate the coupling nut exactly **one full turn longer** and retighten the jam nuts. When retightening make sure that the ball joints on both top and bottom are well centered so that they do not bind up when moving the joystick handle to the extremes of its travel.

NOTE: This full turn longer is **required** to prevent internal damage to the transmission.

- G. Now set the LH transmission speed. Reconnect the linkage to the **left** side transmission. (see left side transmission illustration on previous page).
- H. Loosen the jam nuts on both ends of the **left** side transmission linkage. One of these is a left-hand thread. Now rotate the linkage rod a couple turns to lengthen it.
- I. Hold the joystick control handle firmly in the full forward position. Rotate the left side transmission linkage rod to shorten the linkage until resistance is felt from the transmission control bottoming out in the transmission. Rotate the rod back and forth a couple times to be sure, and mark this position.
- J. Now rotate the linkage rod exactly **one full turn longer** and retighten the jam nuts. Make sure that the ball joints on both top and bottom are centered.

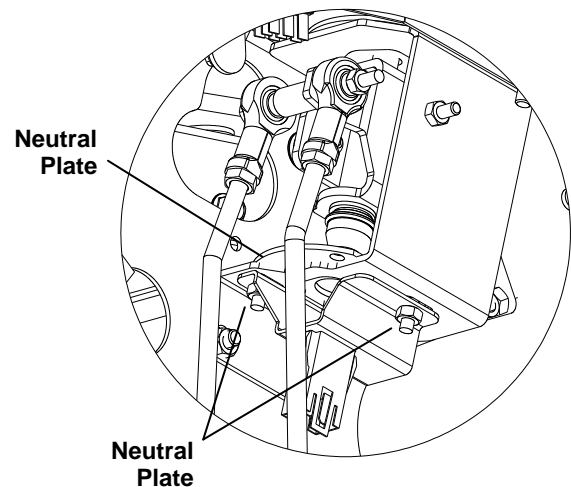
NOTE: This full turn longer is **required** to prevent internal damage to the transmission.

- K. Test drive the mower to check for tracking at full speed. If needed, slow the fast side by lengthening the control rod connected to the faster transmission. Use small adjustments of about ¼ turn. Replace the fender skirts when done.

**2. SETTING NEUTRAL:**

If, with the joystick handle in the DOWN or start position and the engine running the mower moves or travels, it is necessary to adjust neutral. Raise the drive wheels off the ground, secure the mower on blocks or jack stands and proceed as follows:

- A. Remove the fender skirt on the joystick side. Loosen the two nuts on the bottom of the joystick neutral plate just enough so that the plate can move freely.

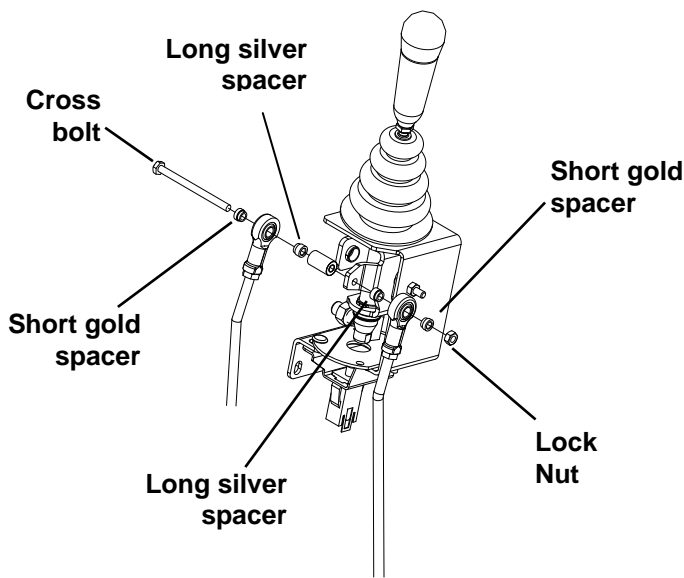


- B.
- C. Start the engine. With the joystick still down, position the handle so both wheels are stationary.
- D. Tighten the two nuts on the bottom of the neutral plate, being careful not to shift it out of position.
- E. Recheck neutral before placing the mower back on the ground. Then shut off the engine and remove the mower from the blocks. Replace the fender skirt.

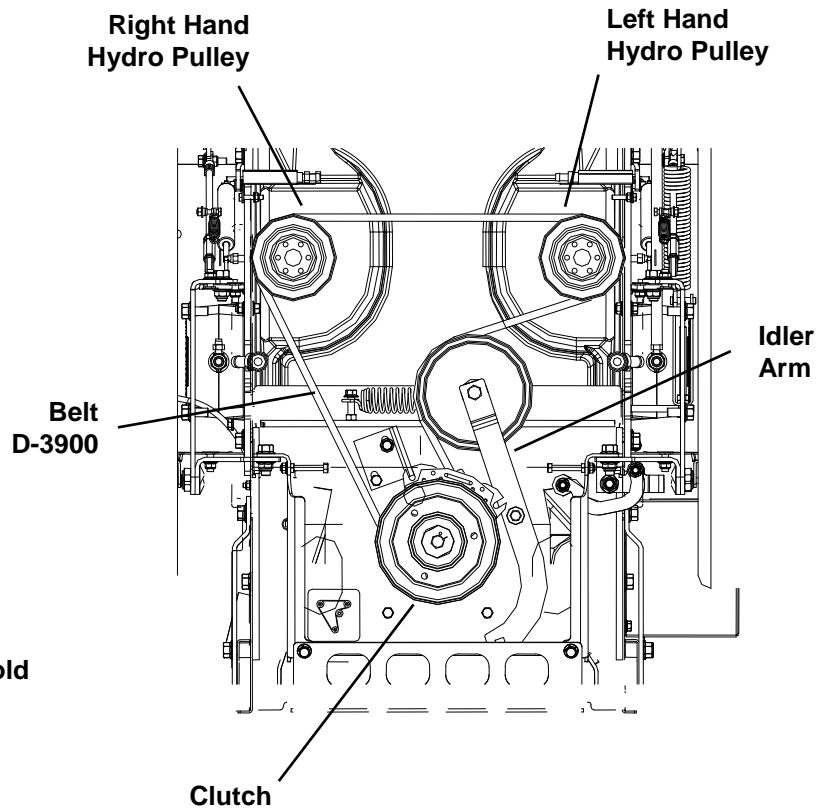
**3. JOYSTICK CONTROL LEVER SENSITIVITY ADJUSTMENT:**

To change the sideways turning response, adjust as follows:

- A. Remove the right hand fender skirt exposing the Joystick Control Lever assembly.
- B. Remove the cross bolt, nut, & spacers.
- C. For quicker reacting steering place the long, silver colored spacers toward the inside of the rod end ball joints and the shorter, gold colored spacers on the outside of the ball joints. For slower reacting steering place the short, gold colored spacers on the inside and the longer, silver colored spacers on the outside. All 4 spacers must be used when reassembling.

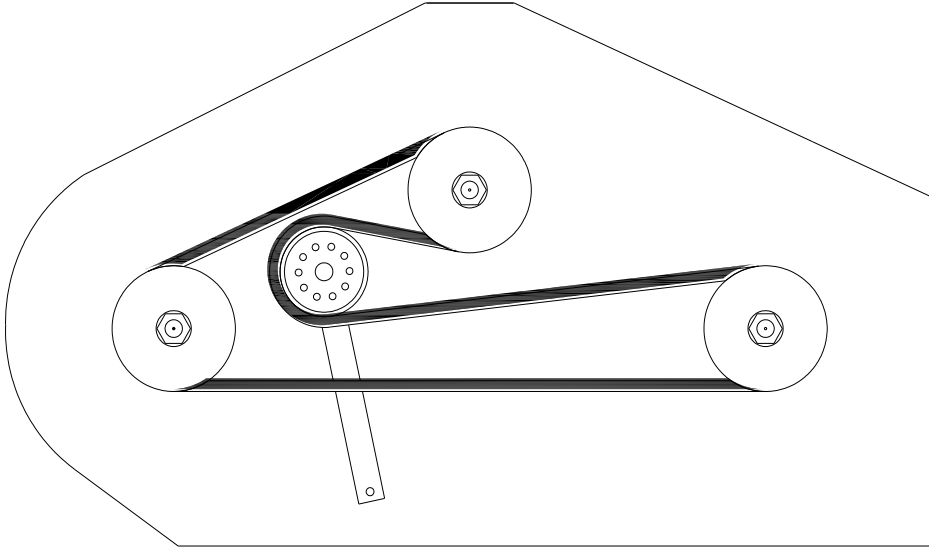


**HYDRO DRIVE BELT CONFIGURATION**  
VIEWED FROM FLOOR LOOKING UP  
(TRANSMISSIONS NOT SHOWN)



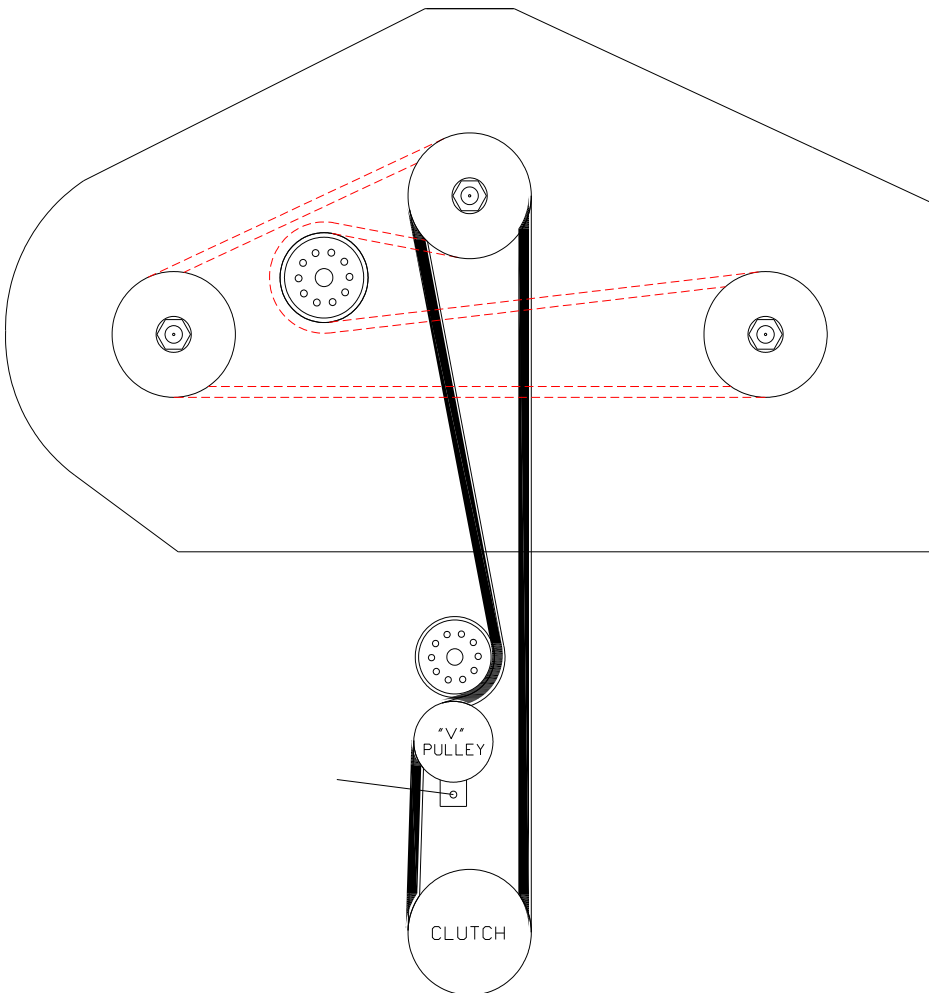


## DECK BELT ROUTING



DECK BELT		
60"	D-3796	B-124
72"	D-3797	B-142

## ENGINE TO DECK BELT ROUTING

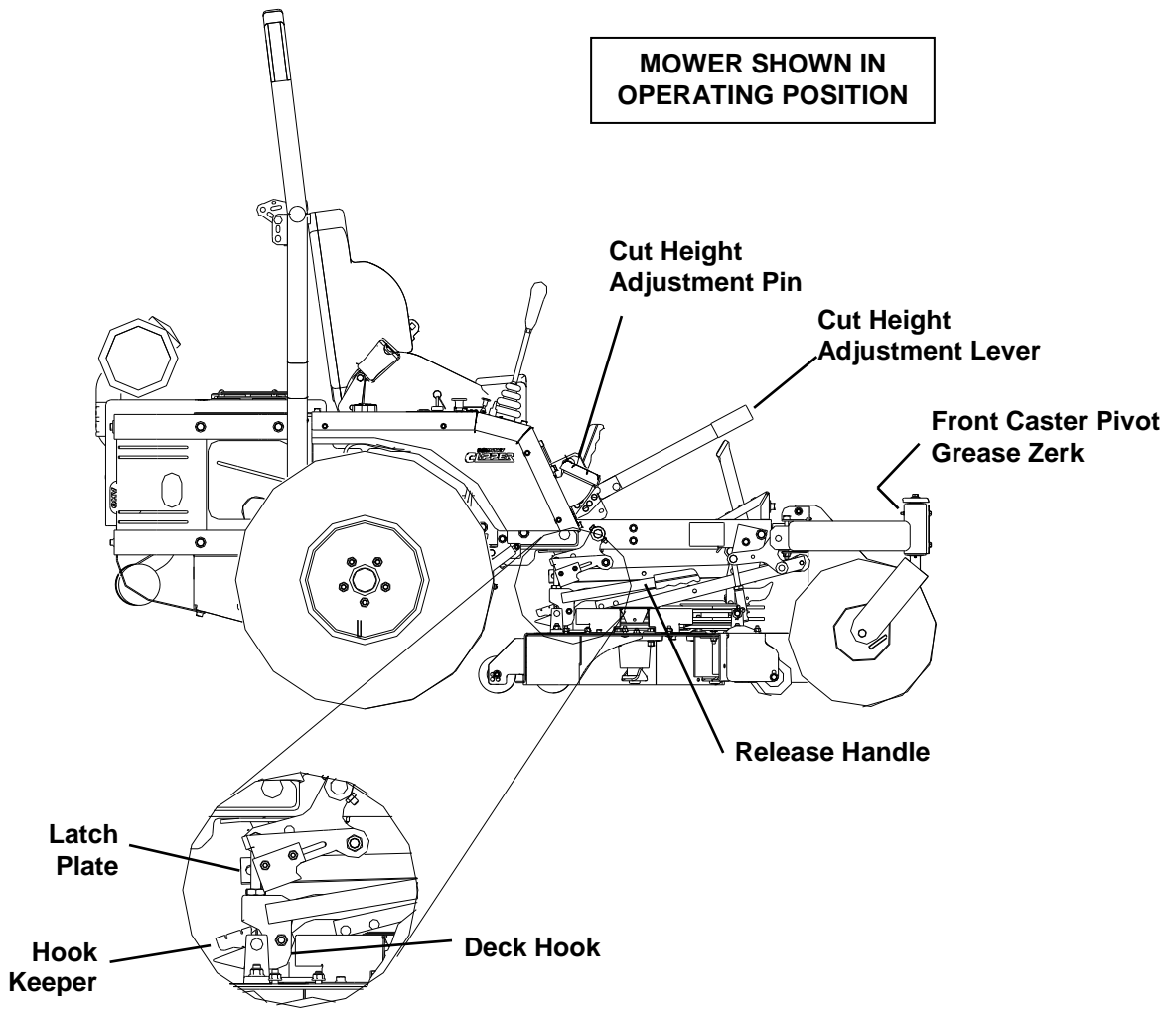


ENGINE TO DECK BELT		
60"	D-3901	B-112
72"	D-3912	B-118

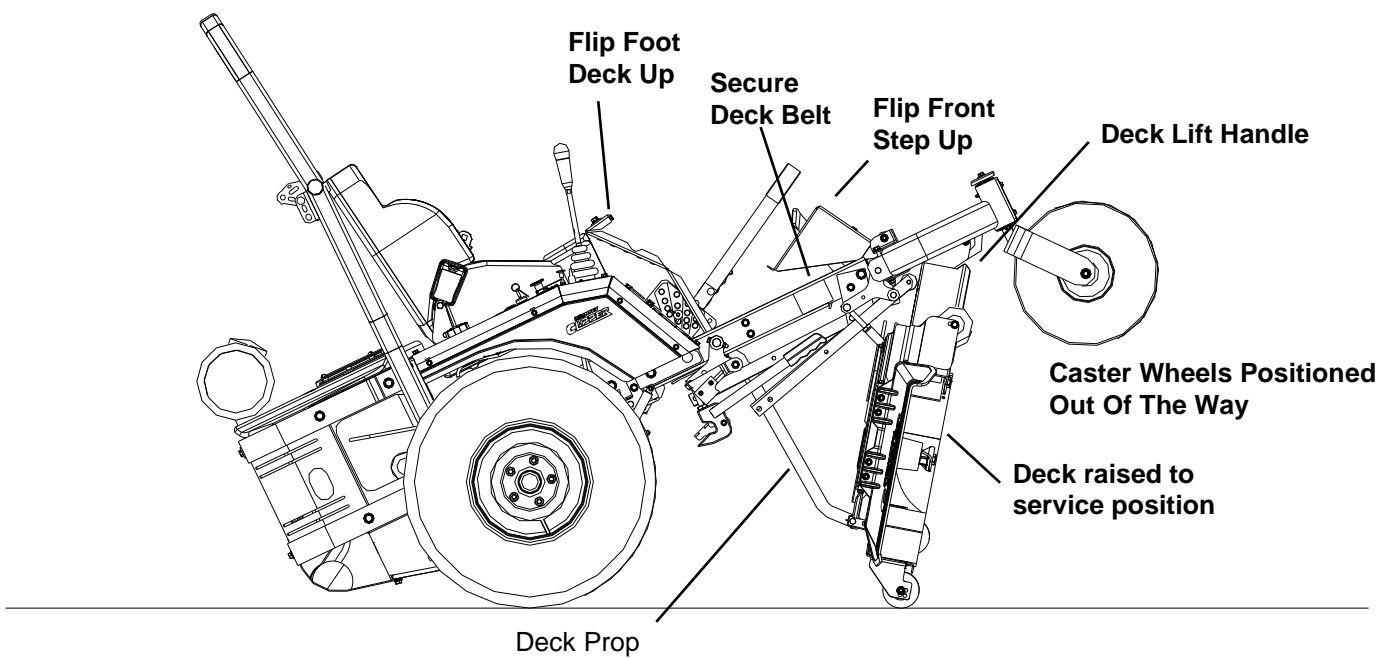
## RAISING AND LOWERING THE DECK FOR SERVICING

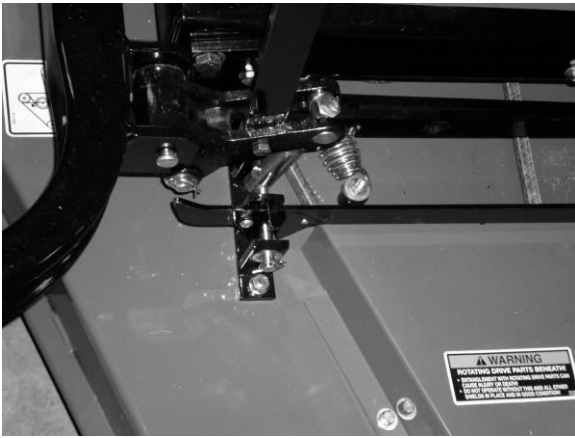
1. RAISING THE DECK (60" Decks):
  - A. Remove cut height adjustment pin and completely lower the cut height adjustment lever. Re-insert the cut height adjustment pin into the 3" cut height position (this will lock the cut height adjustment lever into the lowest position).
  - B. Release engine to deck belt tightener located behind the left rear tire.(See page 21) Flip up the foot deck to allow access to the engine to deck belt. Roll the belt off the center spindle. Hook the belt onto the bolt protruding from lower lip of the foot deck support angle.
  - C. On the right side of the mower, lift and hold up on the hook keeper.(see page 16) Lift up on the release handle to disconnect the back of the deck. The latch plate should catch and hold the release handle rod in place. (To adjust the latch plate, see Page 24.)
  - D. Position the front caster wheels so they are away from the deck (such as the tractor would be traveling in reverse).
  - E. Lift the nose of the deck until the deck is standing vertical (lifting can be made easier if someone stands on the rear bumper of the tractor). **IMPORTANT NOTE: MAKE SURE THAT THE DECK IS LIFTED FAR ENOUGH TO GO COMPLETELY "OVER-CENTER"**. This will prevent the deck from falling down when servicing the underside of the mower deck
  - F. Release the deck prop from its stowed position and place the free end against the deck lift casting as shown on page 21. Make sure the point of the prop falls within the center clearance area.
2. LOWERING THE DECK:
  - A. Place the prop back in the stow position. (See page 19)
  - B. Push the bottom (back) of the deck towards the rear of the tractor. Lower the deck until it rests on the ground.
  - C. Lift up on the latch plate to release the release handle rod. Push down on the release handle until deck hooks lock into place.
  - D. Re-install the Engine to Deck Drive belt onto ALL of the pulleys, including the clutch. **Ensure that the Engine to Deck Drive Belt is properly routed onto all of the pulleys and idlers in the drive train.**
  - E. Carefully rotate the Deck Belt Tension Latch to re-tension the Engine to Deck Drive Belt.

**MOWER SHOWN IN  
OPERATING POSITION**

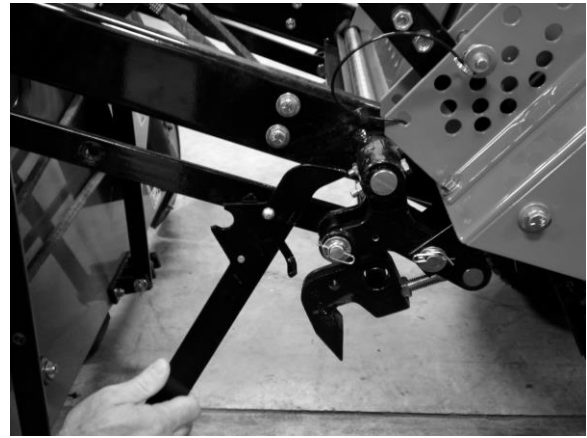


**MOWER SHOWN IN  
SERVICING POSITION**

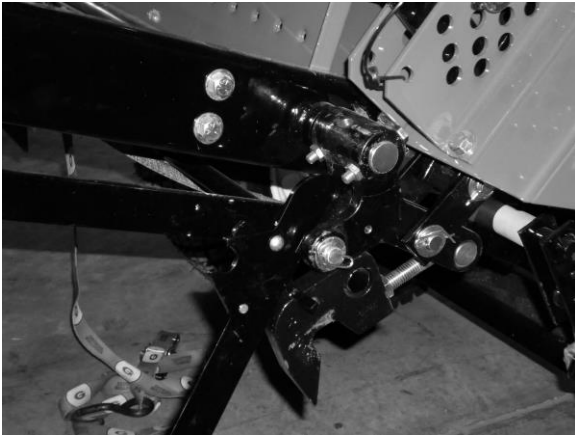




Deck Prop shown in the "Stowed" position.



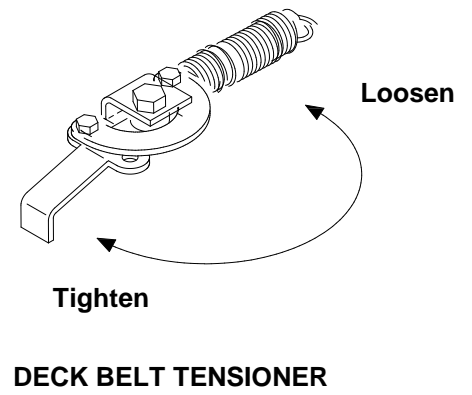
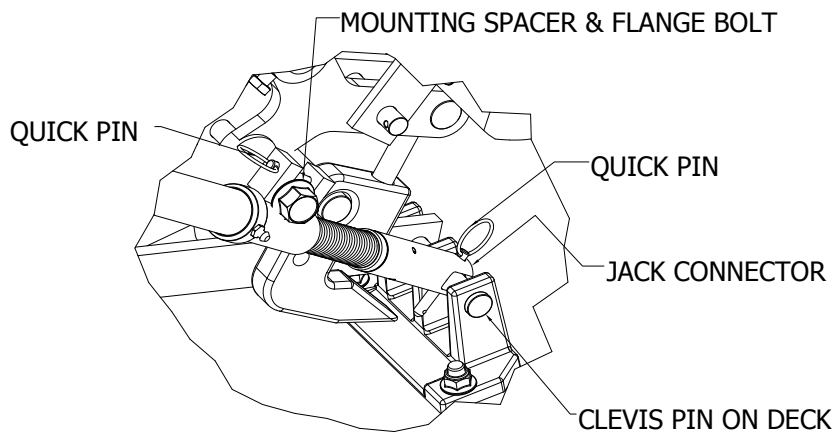
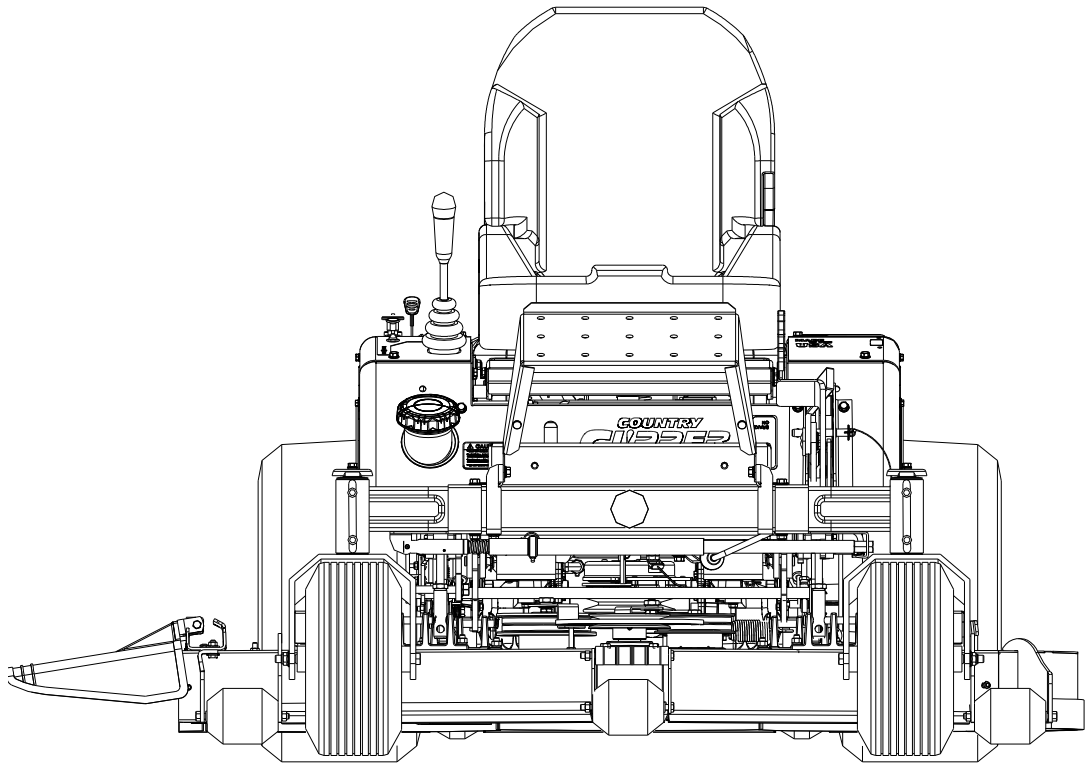
Deck Prop being placed against the Deck lift casting.

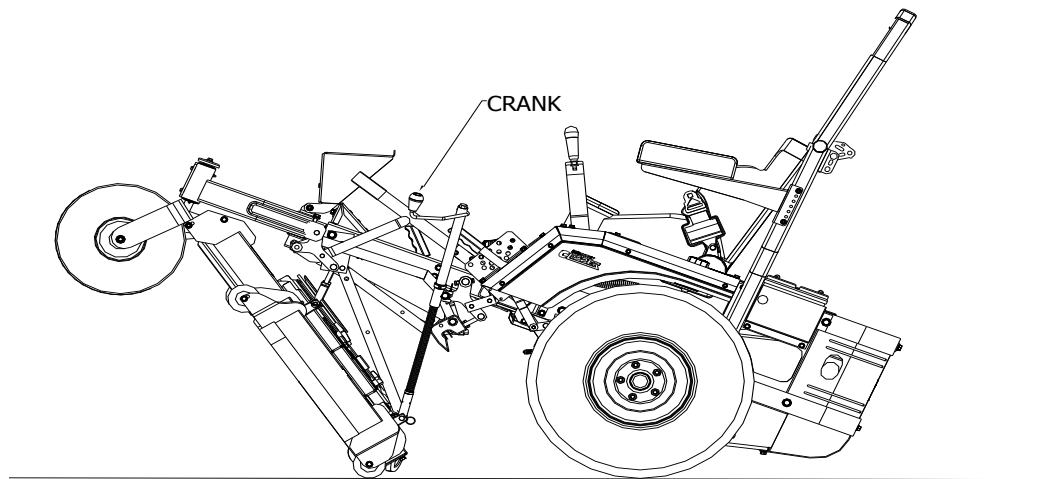
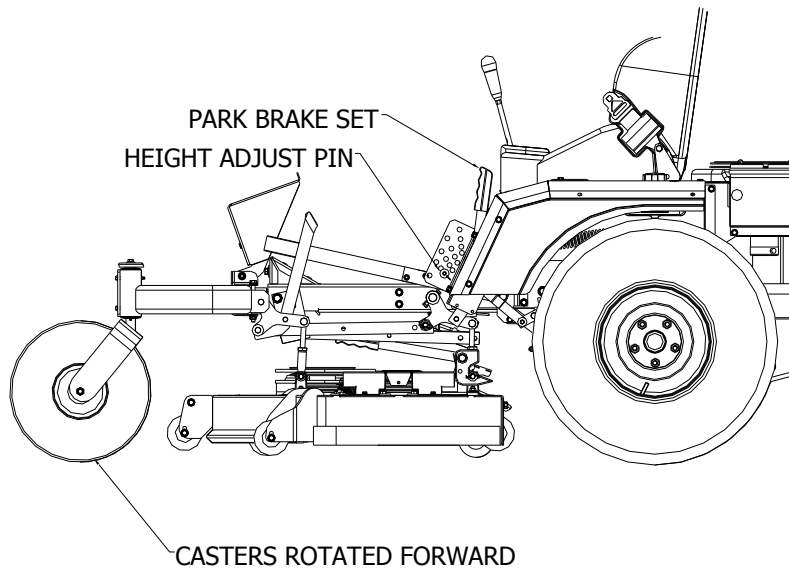


Deck Prop securely in place against Deck lift casting.

## OPERATING INSTRUCTIONS FOR MANUAL DECK JACK

1. SHUT OFF ENGINE AND SET PARK BRAKE.
2. ROTATE FRONT CASTER WHEELS AWAY FROM DECK (SEE ILLUSTRATION)
3. REMOVE DECK HEIGHT ADJUSTMENT PIN.
4. LOWER DECK TO LOWEST POSITION & REINSERT PIN ABOVE DECK LIFT HANDLE LOCKING LEVER IN LOWEST POSITION.
5. ON THE RIGHT HAND SIDE OF MOWER LIFT & HOLD UP THE HOOK KEEPER. LIFT UP ON THE RELEASE HANDLE TO RELEASE THE REAR OF THE DECK FROM THE MOWER.
6. RELEASE BELT TENSION BY FLIPPING LEVER LOCATED BEHIND THE LEFT REAR TIRE.
7. ROTATE FRONT STEP UP & OUT OF THE WAY
8. REMOVE QUICK PIN FROM THE JACK ASSEMBLY AND REMOVE JACK FROM BRACKETS ON FRONT AXLE. (SEE ILLUSTRATION)
9. ATTACH JACK CONNECTOR TO CLEVIS PIN ON DECK WITH QUICK PIN REMOVED IN STEP 8 (SEE ILLUSTRATION )
10. REMOVE QUICK PIN IN JACK LIFT COLLAR WELDMENT.
11. ADJUST POSITION OF LIFT COLLAR WELDMENT TO ALLOW TABS TO MOUNT ON MOUNTING SPACER & FLANGE BOLT. THREAD COLLAR UP OR DOWN SHAFT AS NEEDED & ATTACH WITH QUICK PIN. THE GREASE FITTING MUST BE TOWARDS OUTSIDE OF MOWER (SEE ILLUSTRATION)
12. ROTATE HANDLE UP INTO CRANKING POSITION. TURN HANDLE CLOCKWISE TO BRING THE LEFT REAR TIRE OFF THE GROUND APPROX. 8". MOVE TO THAT WHEEL & PUSH IT BACK TO THE GROUND BRINGING THE FRONT OF THE DECK OFF THE GROUND. CONTINUE TURNING UNTIL DECK IS UP INTO POSITION TO WORK ON. (SEE ILLUSTRATION ) DO NOT OVER TURN CRANK! DAMAGE MAY OCCUR.
13. TO LOWER DECK, REVERSE THE PROCESS.
14. LIFT UP ON THE LATCH PLATE RELEASING THE HANDLE ROD. PUSH DOWN ON THE RELEASE HANDLE UNTIL THE DECK HOOKS LOCK INTO PLACE.
15. APPLY ONE OR TWO PUMPS OF GREASE TO ZERK OCCASIONALLY TO KEEP CRANK OPERATING FREELY.
16. NOTE: IT IS POSSIBLE TO OPERATE JACK WITH IMPACT WRENCH/GUN. TO DO SO, REMOVE CRANK HANDLE & KNOB BY REMOVING RUE RING. A ¾" WRENCH WILL FIT





**CAUTION**



**CAUTION: KEEP FEET CLEAR FROM EDGE OF DECK WHEN LOWERING DECK FROM STAND-UP TO OPERATION POSITION.**



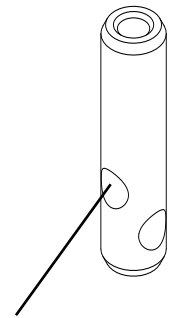
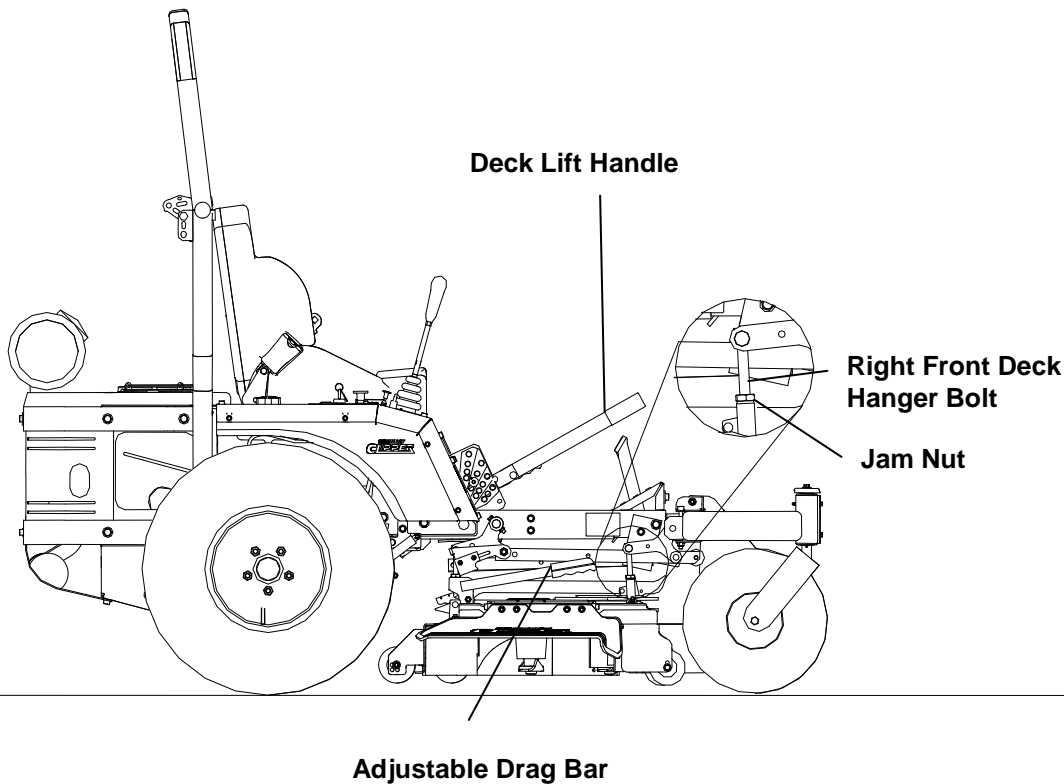
**CAUTION**



**DECK FLIP TOOL MUST BE USED TO POSITION 72" MOWER DECKS TO THE STAND-UP SERVICE POSITION. ATTEMPTING TO MANUALLY RAISE 72" MOWER DECKS TO THE STAND-UP POSITION CAN RESULT IN SEVERE PERSONAL INJURY.**

## LEVELING THE DECK

1. Move the tractor to a hard, level surface (i.e. concrete or blacktop).
2. Set the tire pressure to 12 psi (front) & 18 psi (rear).
3. Remove key from ignition switch.
4. Rotate the blade you are going to measure to run parallel with tractor frame, front to back.
5. Set the Deck Cut Height Lever to the 4' cutting position.
6. Loosen the Deck Hanger Bolt Jam Nuts.
7. Adjust the Front Left Hand Deck Hanger Bolt until the front edge of the Left Hand Blade is Approximately 4" from ground.
8. Adjust the Front Right Hand Deck Hanger Bolt until the front edge of the Right Hand Blade is within 1/8" of the Front Left hand Blade measurement. NOTE: "On 72" Decks" If the Front Right Hand blade measurement can not be obtained it will be necessary to shorten or lengthen the Adjustable Drag Bar Link on the right hand side of the deck suspension. Lengthening the Adjustable Draglink lowers the front end of the Right Hand blade and shortening the Adjustable Drag Bar Link raises the front of the Right Hand blade.
9. Adjust both Rear Deck Hanger Bolts until the back of the blades are 1/8" to 1/4" higher from the ground than the front of the blades. Inspect that the deck is solidly hanging on all four Deck Hanger Bolts. Adjust rear Deck Hanger Bolts accordingly.
10. Inspect all of the above measurements. Tighten all four Deck Hanger Bolts Jam Nuts.

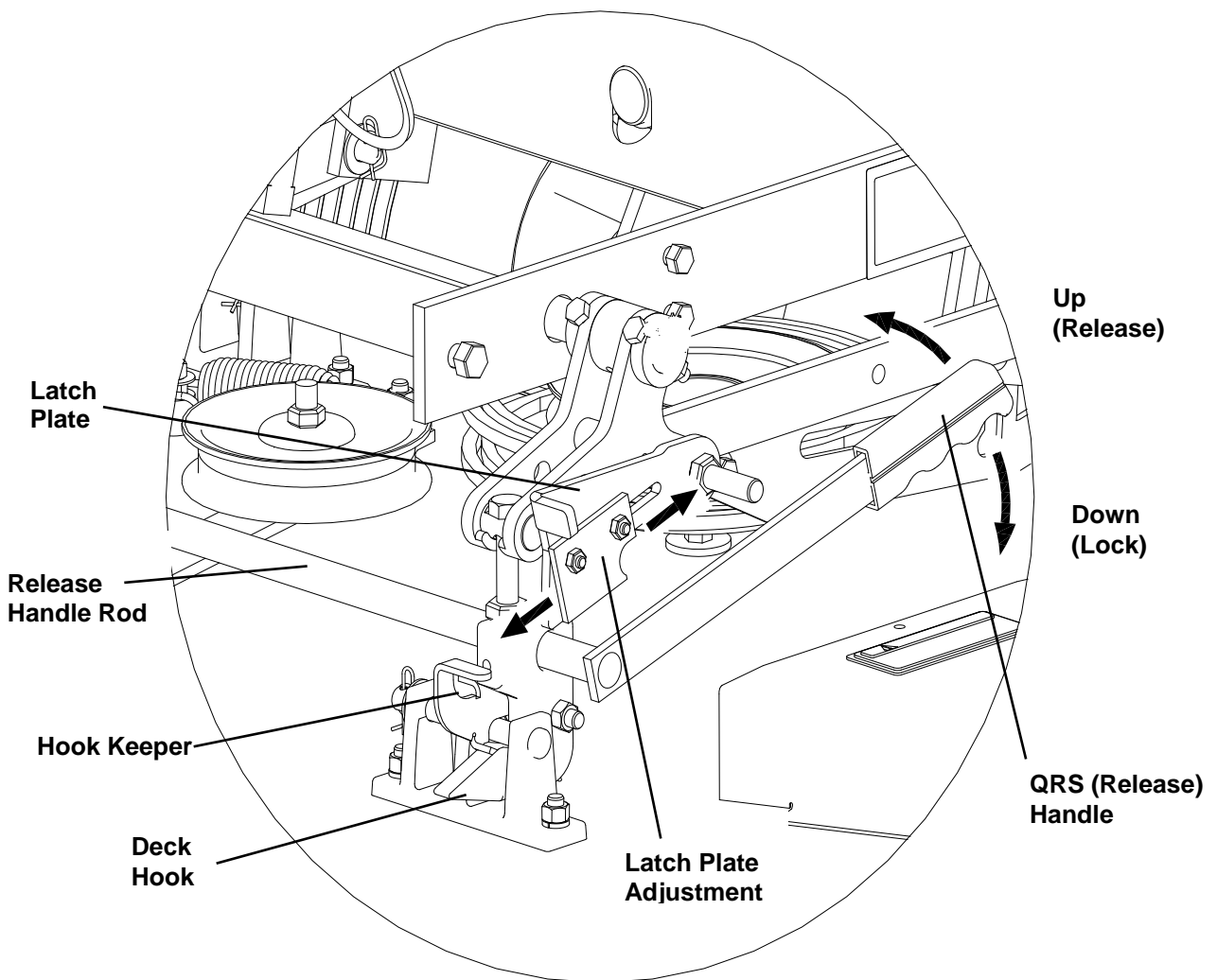


Note: If you run out of threads during the adjustment process, remount the deck mounting in this upper hole.  
**IF ATTEMPTING TO ADJUST DECK HIGHER THAN DESIGN SPECIFICATIONS, DECK DRIVE FAILURE CAN OCCUR.**



## ADJUSTING THE LATCH PLATE

1. Level the deck before proceeding to adjust the latch plate. (Follow instructions on previous page.) Pin the deck in the lowest position before proceeding to adjust the latch plate.
2. Lift up on the hook keeper, while pulling up on the release handle. This will disconnect the rear of the deck.
3. Loosen nuts on the adjustment of the latch plate using a 7/16 wrench. Pull up on the release handle as far as it will allow. Slide adjustment back or forward to where the latch plate will catch the release handle rod at its highest location. Tighten nuts back.
4. Lift up on latch plate and push down on the release handle to lock deck hooks in place.
5. Double check the latch plate adjustment by releasing the deck hangers and pulling up on the release handle. If the latch plate catches the release handle rod, no further adjustment needs to be made. If it does not, follow steps 3-5, as needed.



## TROUBLESHOOTING CHECKLIST

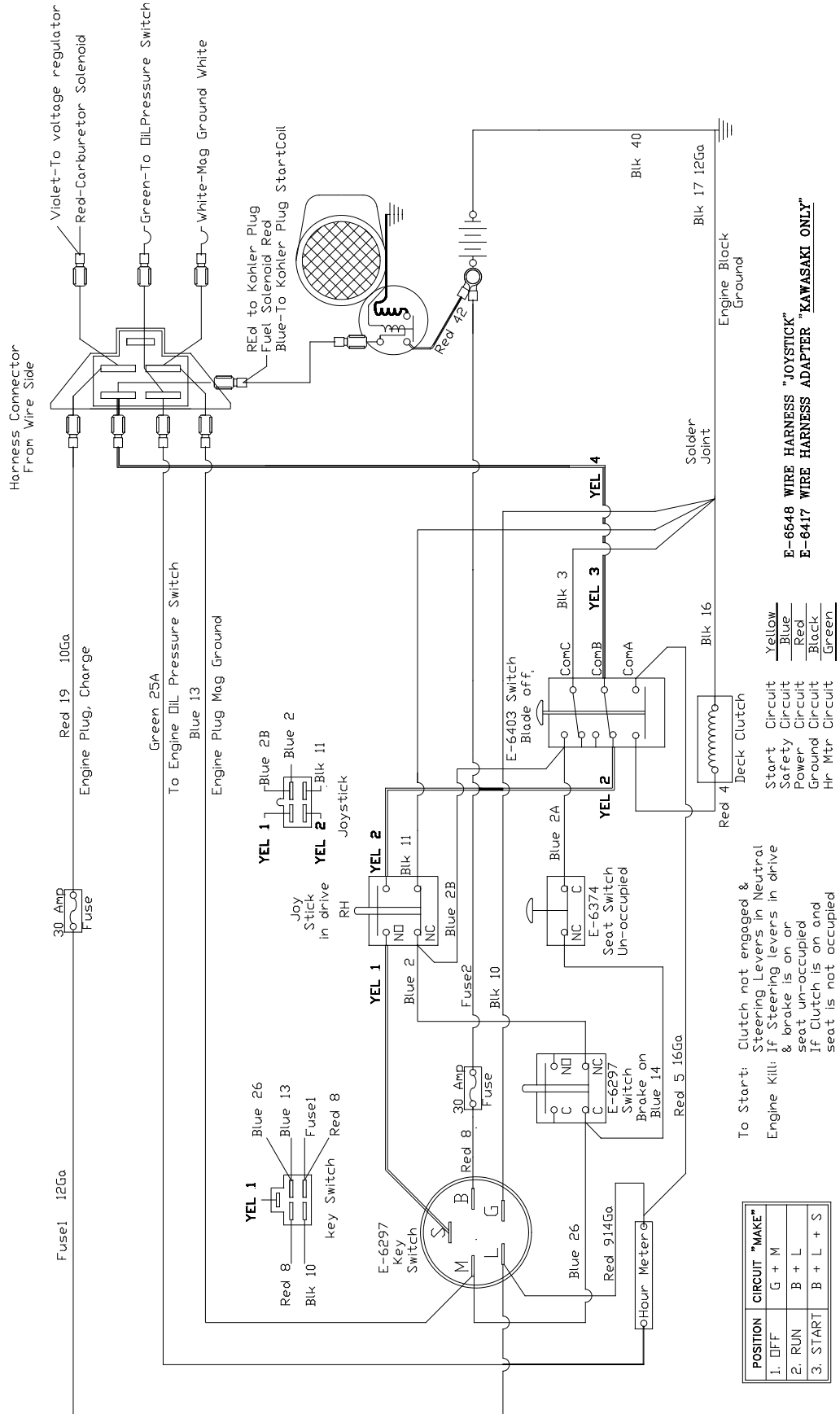
1. ENGINE WON'T TURN OVER:
  - Mower blades engaged ----- disengage blades
  - Drive not in neutral --- **move Joystick Control Lever to neutral "DOWN" position**  
**move Twinstick Control Levers to neutral "OUT" position**
  - Blown fuse ----- replace fuse
  - Dead battery ----- charge or replace
  - Solenoid ----- consult dealer
  - Ignition switch ----- consult dealer
  - Starter ----- consult dealer
  
2. ENGINE WILL TURN OVER BUT WON'T START:
  - No gas ----- refuel  
clean or replace fuel filters
  - Over or under choked ----- adjust choke
  - Spark plug not firing ----- check spark plug  
condition and reset gap\*\*
  - Carburetor maladjustment ----- reset carburetor adjustment\*
  - Ignition switch ----- consult dealer
  
3. HARD TO START ENGINE:
  - Fuel line clogged ----- clean fuel line and check fuel filter
  - Faulty fuel pump ----- consult dealer
  - Spark plug wire loose or grounded ----- check spark plug wires
  - Spark plug(s) faulty or improperly gapped ----- check spark plug  
condition and reset gap\*\*
  - Electronic ignition defective ----- consult dealer
  - Dirty or maladjusted carburetor ----- readjust carburetor\*\*  
consult dealer for carburetor service
  
4. ENGINE STARTS BUT CUTS OUT:
  - Water in gasoline ----- drain old gasoline and replace with new gasoline  
clean carburetor bowl
  - Clogged fuel line ----- check fuel filter  
clean fuel line
  - Vent Hose Pinched or Restricted\*----- check vent hose
  - Faulty fuel pump ----- consult dealer
  - Maladjusted carburetor ----- readjust carburetor\*\*
  - Engine dies when: **Joystick Control Lever is pulled "UP"** --- parking brake set  
**Twinstick Control levers are pulled "IN"** release brake
  
5. ENGINE KNOCKS:
  - Low oil level ----- check and add oil
  - Ignition timing off ----- consult dealer
  - Fuel octane too low ----- drain and replace with  
higher octane gasoline
  - Over heated engine ----- shut off engine and allow to cool

\*Vent Hose is the "**BLACK**" hose located on TOP of the fuel tank running to the Engine Carburetor

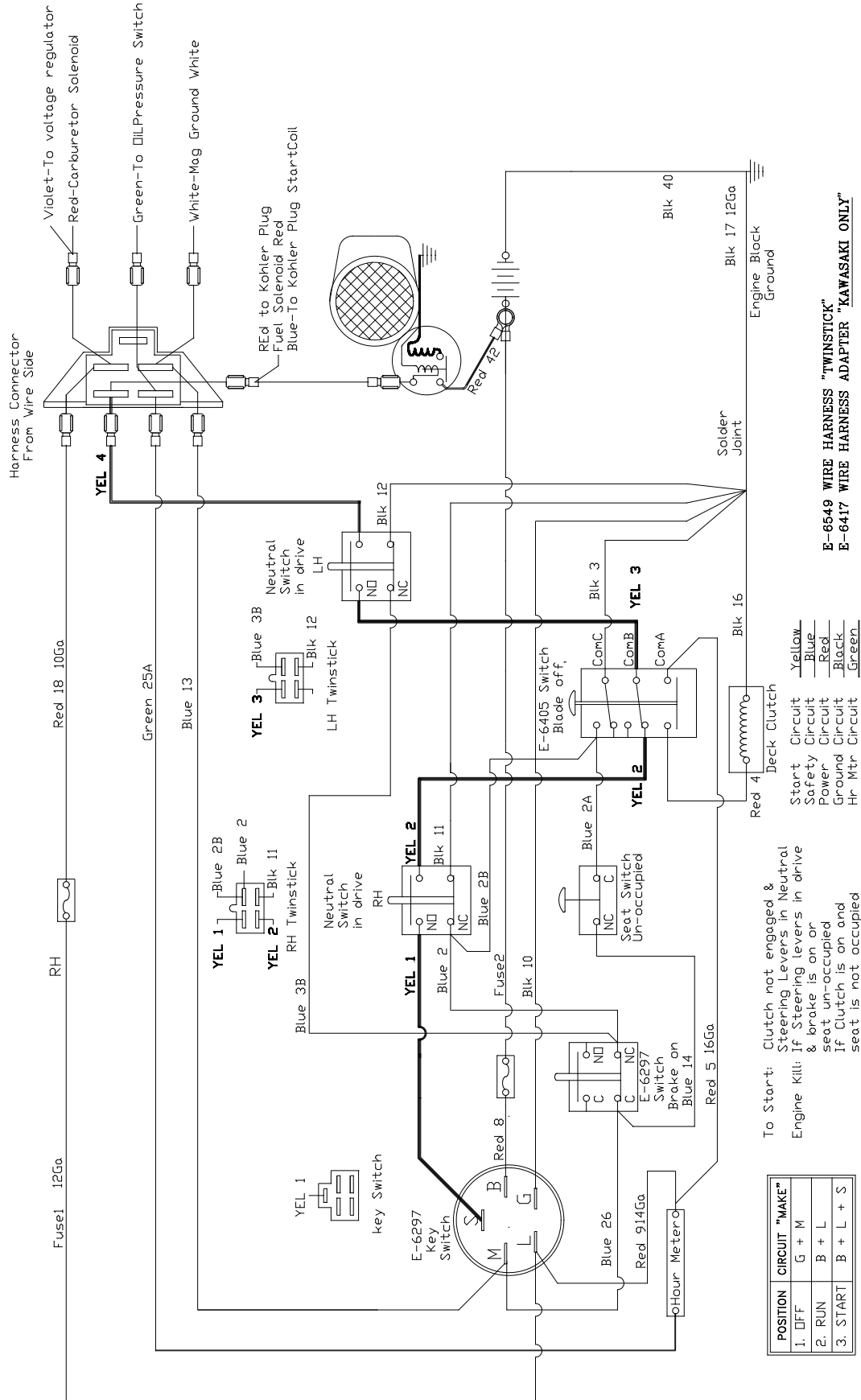
\*\*See engine manual for engine adjustments



# WIRING SCHEMATIC JOYSTICK



# WIRING SCHEMATIC TWINSTICK



E-6549 WIRE HARNESS "TWINSTICK"  
E-6417 WIRE HARNESS ADAPTER "KAWASAKI ONLY"





# Safety Instructions & Operators Manual



# **BOSS<sup>XL</sup>**

# 1515

**Country Clipper Division**  
Shivvers Manufacturing Inc.  
613 W. English St.  
Corydon, IA 50060-0467  
Ph. 641-872-2544  
Fax. 641-872-1593