

COUNTRY
CLIPPER®

Repair Parts Manual

WRANGLER

135

Zero Turn Radius Mower

COUNTRY CLIPPER
WRANGLER - 135
ZERO TURN RADIUS MOWER

TABLE OF CONTENTS

- 1 41" MOWER DECK
- 2 48" MOWER DECK
- 3 52" MOWER DECK
- 4 SPINDLE ASSEMBLY
- 5 IDLER ASSEMBLIES
- 6 DECK LIFT ASSEMBLY

- 7 FRONT END ASSEMBLY
- 8 FRONT END ASSEMBLY
- 9 FRAME ASSEMBLY (KOHLER 20HP SINGLE CYLINDER)
- 10 FRAME ASSEMBLY (KAWASAKI 21.5HP TWIN CYLINDER)
- 11 FENDER ASSEMBLY (KOHLER 20HP SINGLE CYLINDER)
- 12 FENDER ASSEMBLY (KAWASAKI 21.5HP TWIN CYLINDER)

- 13 SEAT ASSEMBLY

- 14 FUEL TANK ASSEMBLY

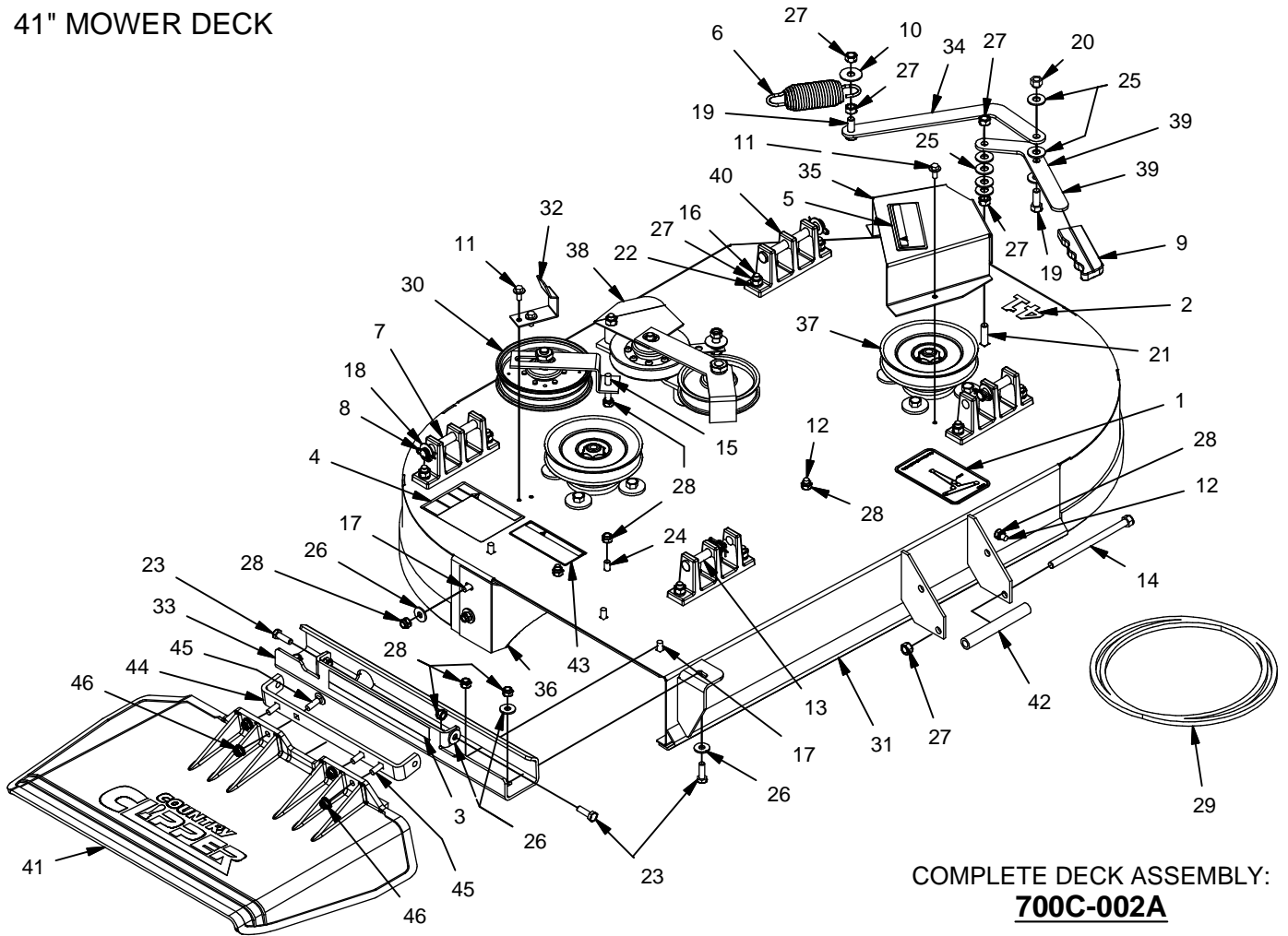
- 15 JOYSTICK ASSEMBLY
- 16 JOYSTICK STEERING ASSEMBLY
- 17 TWIN STICK ASSEMBLY
- 18 BRAKE ASSEMBLY

- 19 MOTOR MOUNT ASSEMBLY (KOHLER 20HP SINGLE CYLINDER)
- 20 MOTOR MOUNT ASSEMBLY (KAWASAKI 21.5HP TWIN CYLINDER)
- 21 MOTORS AND TRANSAXLE
- 22 KOHLER 20HP SINGLE CYLINDER AND TRANSAXLE ASSEMBLY
- 23 KAWASAKI 21.5HP TWIN CYLINDER AND TRANSAXLE ASSEMBLY

- 24 REAR WHEEL ASSEMBLIES

- 25 WIRE HARNESS AND BATTERY FOR KOHLER 20HP JOYSTICK MODELS
- 26 WIRE HARNESS AND BATTERY FOR KAWASAKI 21.5HP JOYSTICK MODELS
- 27 WIRE HARNESS AND BATTERY FOR ALL WRANGLER TWIN STICK MODELS
- 28 WIRE HARNESS ADAPTER FOR KAWASAKI 21.5HP TWIN CYLINDER

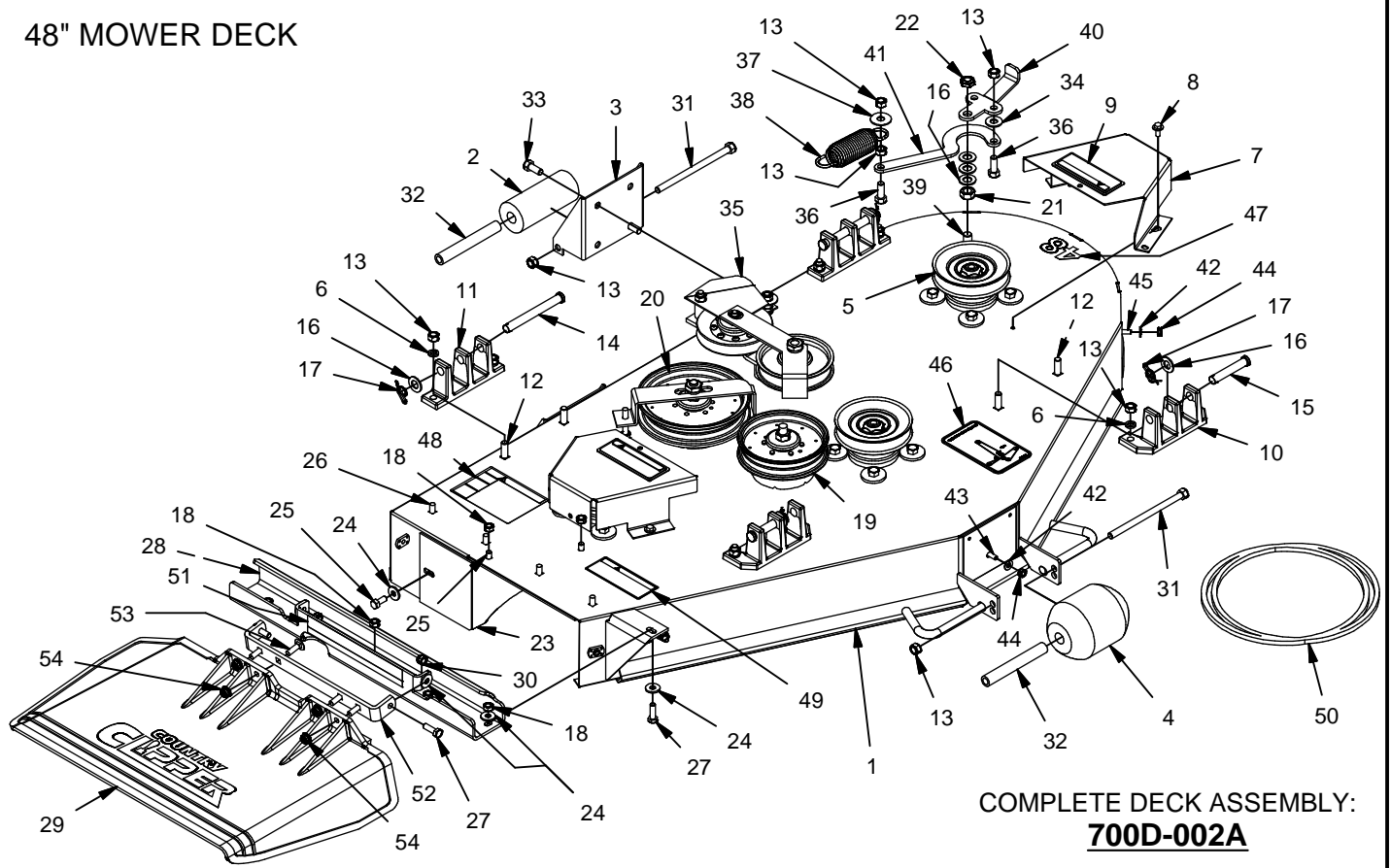
41" MOWER DECK



COMPLETE DECK ASSEMBLY:
700C-002A

Parts List			Parts List		
ITEM	PART NUMBER	DESCRIPTION	ITEM	PART NUMBER	DESCRIPTION
1	P-12712	DECAL WRANGLER BELT ROUTING	24	F-1015-14	5/16-18 x 7/8" Capscrew
2	P-12711	DECAL, DECK SIZE, 41	25	F-1009-03	3/8" Flat Washer
3	P-12496	DECAL, MISSING CHUTE	26	F-1009-02	5/16" Flat Washer
4	P-10941	DECAL "DANGER ROTATING BLADES"	27	F-1005-03	3/8-16 Stover Nut
5	P-10935	Decal, WARNING	28	F-1005-02	5/16-18 Nyloc Nut
6	H-2619	SPRING, 5 X 1-1/2, TAPERED ENDS	29	D-3796	"V"-BELT B-124 DAYCO #7-9537
7	H-2240	1/2" x 4-1/2" Clevis Pin	30	----	5" IDLER ASSEMBLY, PAGE 5
8	H-2239	1/2" Rue Ring	31	700-147A	41" DECK WELDMENT W/ DECALS
9	H-1926	1/4"x1" Handle Grip	32	700-058P	GUIDE, BELT 41"
10	F-2083	WASHER, 3/8 FENDER	33	700-061A	OUTLET STIFFENER W/ DECAL
11	F-2030	1/4 x 5/8 Self Tapping Capscrew	34	700-044P	ARM, SPRING TENSION
12	F-1930	Carg Bolt: Short NK: 5/16-18 X 3/4" L GR5	35	700-060A	COVER, PULLEY W/ DECAL
13	F-1889	1/2 x 2-5/8" Clevis Pin	36	686-097W	BAFFLE, DISCHARGE WLDT
14	F-1741	3/8-16 x 6" Capscrew	37	----	SPINDLE ASSEMBLY, PAGE 4
15	F-1707	5/16-18 x 2 1/4" CARRIAGE BOLT,	38	----	DOUBLE IDLER ASSEMBLY, PAGE 5
16	F-1672	3/8-16 x 1-1/4" Carraige Bolt	39	661-045P	ARM, BELT TENSION
17	F-1671	5/16-18 x 3/4" CARRIAGE BOLT	40	643-016W	Hanger Weldment
18	F-1521	1/2" WASHER, CUSTOM	41	H-2723	DISCHARGE CHUTE, SMALL
19	F-1394	3/8-16 x 1" Capscrew	42	660-162P	GRIP, STANDUP
20	F-1239	3/8 LOCKNUT	43	P-12706	WARNING DECAL, DISCHARGE CHUTE
21	F-1177	3/8-16 x 1-1/2" Carraige Bolt	44	643-110P	CHUTE HINGE
22	F-1019-03	3/8" LOCKWASHER	45	F-2066	5/16-18 X 1 CARRIAGE BOLT
23	F-1015-15	5/16-18 x 1" Capscrew	46	F-2063	NUT, 5/16-18 NYLOC, FLANGED

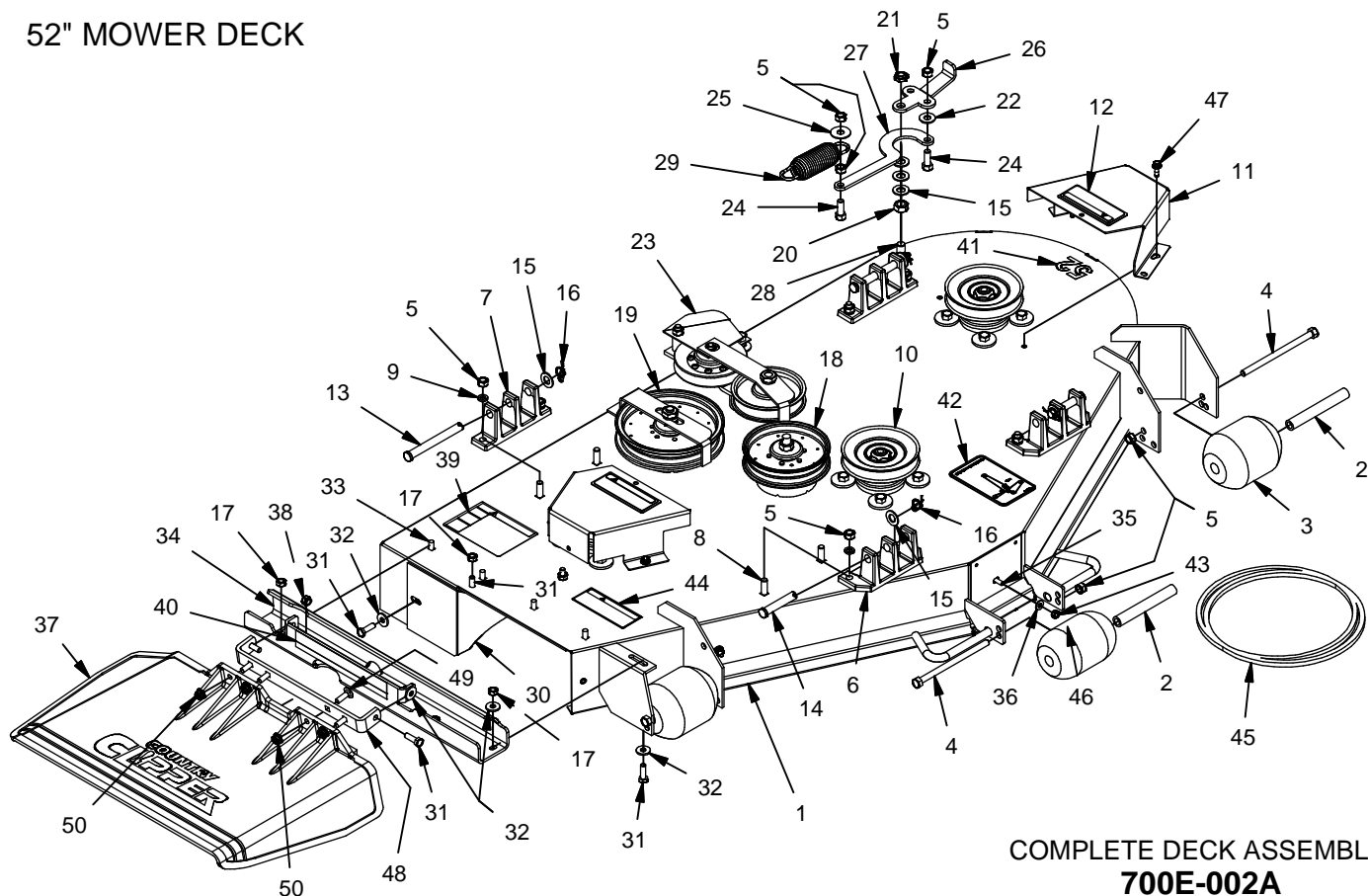
48" MOWER DECK



COMPLETE DECK ASSEMBLY:
700D-002A

Parts List			Parts List		
ITEM	PART NUMBER	DESCRIPTION	ITEM	PART NUMBER	DESCRIPTION
1	700-132A	48" DECK WLDT W/ DECALS	28	700-136A	48" OUTLET STIFFENER W/ DECAL
2	660-076P	ROLLER, 2"	29	H-2723	DISCHARGE CHUTE, SMALL
3	659-139P	SCALPER BRACKET	30	F-1005-02	5/16-18 Nyloc Nut
4	H-1948	Roller, 3-3/4 DIA. x 4-13/16L	31	F-1741	3/8-16 x 6" Capscrew
5	----	SPINDLE ASSEMBLY, PAGE 4	32	609-183P	BUSHING
6	F-1019-03	3/8" LOCKWASHER	33	F-1558	3/8-16 x 7/8" Capscrew
7	700-133A	COVER, PULLEY W/ DECAL	34	F-1009-03	3/8" Flat Washer
8	F-2030	1/4 x 5/8 Self Tapping Capscrew	35	----	DOUBLE IDLER ASSEMBLY, PAGE 5
9	P-10935	Decal, WARNING	36	F-1394	3/8-16 x 1" Capscrew
10	651-009W	CASTING,HANGER,WIDE BASE	37	F-2083	WASHER, 3/8 FENDER
11	643-016W	Hanger Weldment	38	H-2619	SPRING,5 X 1-1/2,TAPERED ENDS
12	F-1672	3/8-16 x 1-1/4" Carriage Bolt	39	F-1526	1/2-13 x1-1/2" Capscrew
13	F-1005-03	3/8-16 Stover Nut	40	660-030P	Belt Tightner Handle
14	H-2240	1/2" x 4-1/2" Clevis Pin	41	660-031P	Belt Tightner Arm
15	F-1898	1/2 x 2-3/4" Clevis Pin	42	F-1009-01	1/4" Flat Washer
16	F-1521	1/2" WASHER, CUSTOM	43	F-1538	1/4-20 x 3/4" Capscrew
17	H-2239	1/2" Rue Ring	44	F-1158	1/4-20 Stover Nut
18	F-1125	5/16-18 Stover Nut	45	F-1823	Carriage Bolt, 1/4 X 3/4"
19	----	5" IDLER ASSEMBLY, PAGE 5	46	P-11932	DECAL, JAZEE DECK BELT ROUTING
20	----	6" IDLER ASSEMBLY, PAGE 5	47	P-11950	DECAL, DECK SIZE, 48
21	F-1005-05	1/2-13 Stover Nut	48	P-10941	DECAL "DANGER ROTATING BLADES"
22	F-1966	1/2-13 THIN NYLOC NUT	49	P-12706	WARNING DECAL, DISCHARGE CHUTE
23	686-080W	SPLITTER BAFFLE	50	D-3892	V-BELT, B, WRAP, ARAMID, 158 LENGTH
24	F-1009-02	5/16" Flat Washer	51	P-12496	DECAL, MISSING CHUTE
25	F-1546	5/16-18 x 3/4" Capscrew	52	643-110P	CHUTE HINGE
26	F-1671	5/16-18 x 3/4" CARRIAGE BOLT	53	F-2066	5/16-18 X 1 CARRIAGE BOLT
27	F-1015-15	5/16-18 x 1" Capscrew	54	F-2063	NUT, 5/16-18 NYLOC, FLANGED

52" MOWER DECK

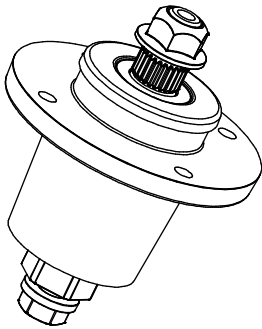


COMPLETE DECK ASSEMBLY:
700E-002A

Parts List			Parts List		
ITEM	PART NUMBER	DESCRIPTION	ITEM	PART NUMBER	DESCRIPTION
1	700-135A	52" DECK WLDT W/ DECALS	26	660-030P	Belt Tightner Handle
2	609-183P	BUSHING	27	660-031P	Belt Tightner Arm
3	H-1948	Roller, 3-3/4 DIA. x 4-13/16L	28	F-1526	1/2-13 x1-1/2" Capscrew
4	F-1741	3/8-16 x 6" Capscrew	29	H-2619	SPRING,5 X 1-1/2,TAPERED ENDS
5	F-1005-03	3/8-16 Stover Nut	30	686-080W	SPLITTER BAFFLE
6	651-009W	CASTING,HANGER,WIDE BASE	31	F-1015-15	5/16-18 x 1" Capscrew
7	643-016W	Hanger Weldment	32	F-1009-02	5/16" Flat Washer
8	F-1672	3/8-16 x 1-1/4" Carraige Bolt	33	F-1671	5/16-18 x 3/4" CARRIAGE BOLT
9	F-1019-03	3/8" LOCKWASHER	34	700-134A	OUTLET STIFFENER W/ DECAL
10	----	SPINDLE ASSEMBLY, PAGE 4	35	F-1538	1/4-20 x 3/4" Capscrew
11	700-133A	COVER, PULLEY W/ DECAL	36	F-1009-01	1/4" Flat Washer
12	P-10935	Decal, WARNING	37	H-2723	DISCHARGE CHUTE, SMALL
13	H-2240	1/2" x 4-1/2" Clevis Pin	38	F-1005-02	5/16-18 Nyloc Nut
14	F-1889	1/2 x 2-5/8" Clevis Pin	39	P-10941	DECAL "DANGER ROTATING BLADES"
15	F-1521	1/2" WASHER, CUSTOM	40	P-12496	DECAL, MISSING CHUTE
16	H-2239	1/2" Rue Ring	41	P-11951	DECAL, DECK SIZE, 52
17	F-1125	5/16-18 Stover Nut	42	P-11932	DECAL, JAZEE DECK BELT ROUTING
18	----	5" IDLER ASSEMBLY, PAGE 5	43	F-1158	1/4-20 Stover Nut
19	----	6" IDLER ASSEMBLY, PAGE 5	44	P-12706	WARNING DECAL, DISCHARGE CHUTE
20	F-1005-05	1/2-13 Stover Nut	45	D-3775-W	BELT, B-158
21	F-1966	1/2-13 THIN NYLOC NUT	46	H-2798	ROLLER, 3.25OD
22	F-1009-03	3/8" Flat Washer	47	F-2119	FHCS, 1/4-20 x 0.75, LOCK PATCH, GR5
23	----	DOUBLE IDLER ASSEMBLY, PAGE 5	48	643-110P	CHUTE HINGE
24	F-1394	3/8-16 x 1" Capscrew	49	F-2066	5/16-18 X 1 CARRIAGE BOLT
25	F-2083	WASHER, 3/8 FENDER	50	F-2063	NUT, 5/16-18 NYLOC, FLANGED

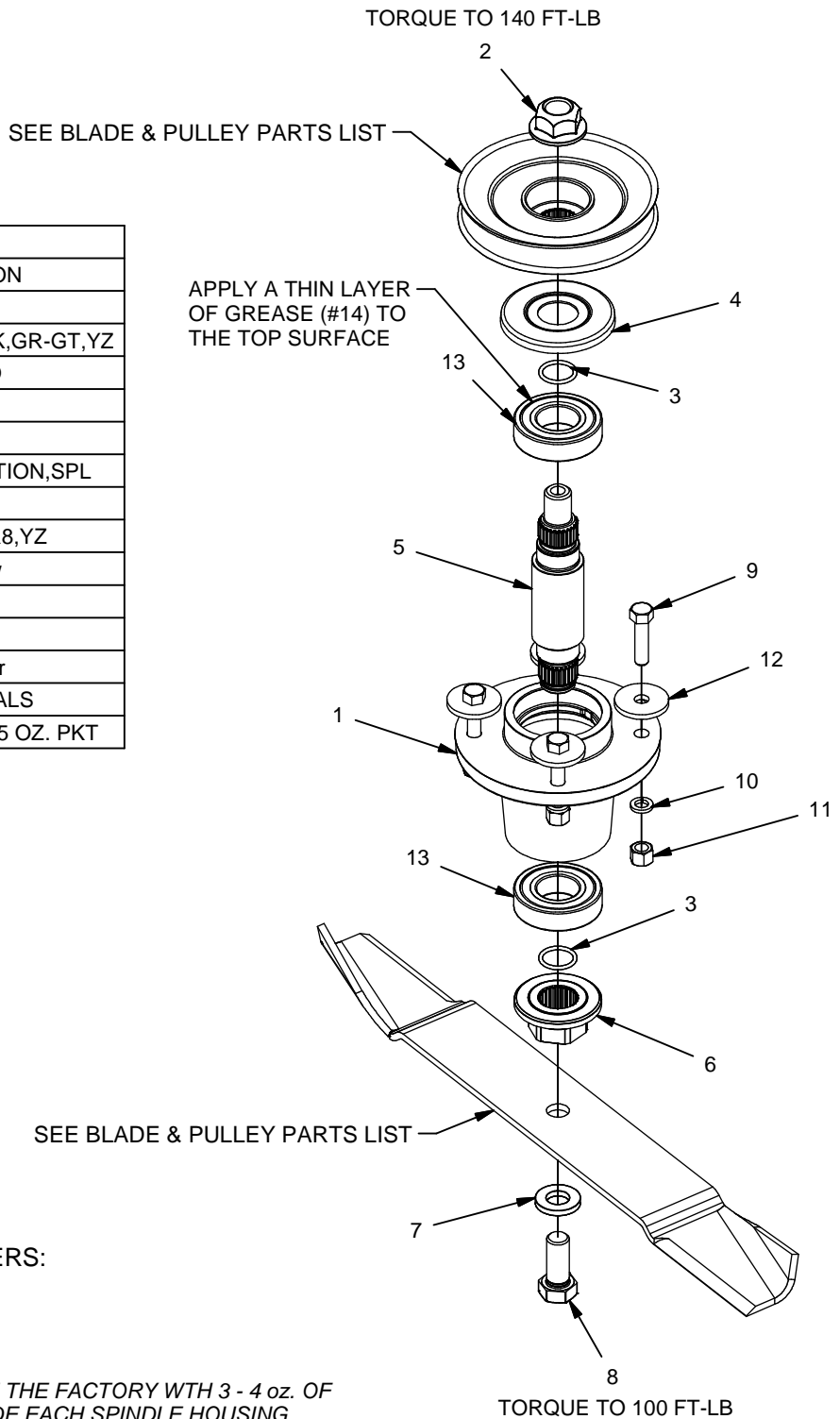
SPINDLE ASSEMBLY

Parts List		
ITEM	PART NUMBER	DESCRIPTION
1	609-285P	HSG, SPINDLE, HD
2	F-2078	NUT, 3/4-16, TOP LOCK, GR-GT, YZ
3	H-2639	O'RING, -117, 70 DURO
4	609-292P	CAP, BEARING
5	609-289P	SHAFT, SPINDLE, HD
6	609-288P	DRIVER, BLADE, FRICTION, SPL
7	660-099P	WASHER, BLADE, 5/8
8	F-2073	HHCS, 5/8-11X1.50, GR8, YZ
9	F-1572	3/8-24 x 1.5" Capscrew
10	F-1019-03	3/8" LOCKWASHER
11	F-1573	3/8-24 LOCKNUT
12	609-034P	Spindle Spacer Washer
13	D-3867	BRG, BALL, 6206, F-SEALS
14	H-2707	GREASE, RYKOTAC .5 OZ. PKT



COMPLETE SPINDLE ASSEMBLY
WITHOUT BLADE, PULLEY & FASTENERS:
629FN-001A

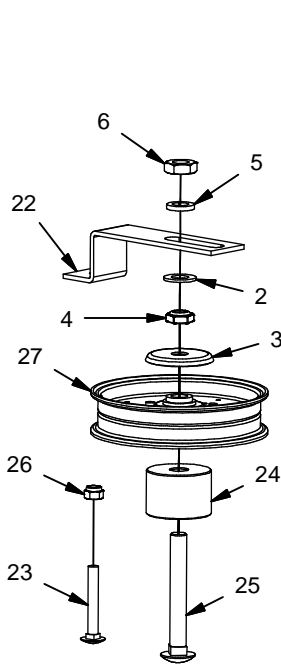
* NOTE: NEW MOWERS ARE SHIPPED FROM THE FACTORY WITH 3 - 4 oz. OF CHEVRON SRI NLGI 2 GREASE INSIDE EACH SPINDLE HOUSING.



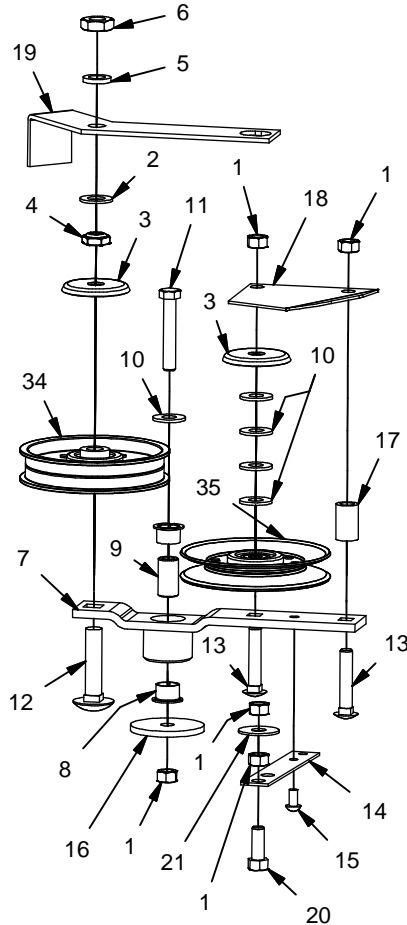
Blade & Pulley Parts List		Blade & Pulley Parts List	
PART NUMBER	DESCRIPTION	PART NUMBER	DESCRIPTION
668-037P	48" DECK SPINDLE PULLEY	H-2655	41" DECK HIGH LIFT BLADE (STANDARD)
668-038P	52" DECK SPINDLE PULLEY	H-2659	48" DECK LOW LIFT BLADE
668-039P	41" DECK SPINDLE PULLEY	H-2660	52" DECK LOW LIFT BLADE
H-2648	52" DECK (FUSION) HIGH LIFT BLADE	H-2661	41" DECK LOW LIFT BLADE
H-2649	41" DECK (FUSION) HIGH LIFT BLADE	H-2665	48" DECK GATOR BLADE
H-2653	48" DECK HIGH LIFT BLADE (STANDARD)	H-2666	52" DECK GATOR BLADE
H-2654	52" DECK HIGH LIFT BLADE (STANDARD)	H-2667	41" DECK GATOR BLADE

IDLER ASSEMBLIES

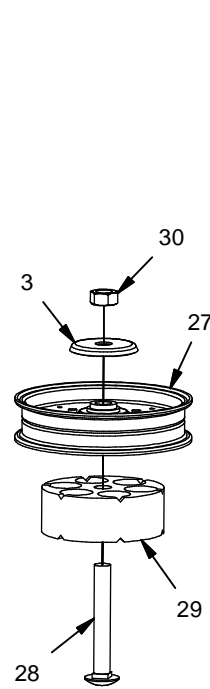
**41" DECK
5" IDLER ASSEMBLY**



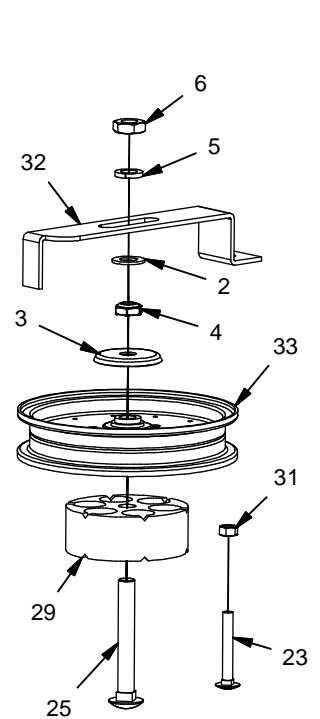
**41", 48" & 52" DECK
DOUBLE IDLER ASSEMBLY**



**48" & 52" DECK
5" IDLER ASSEMBLY**

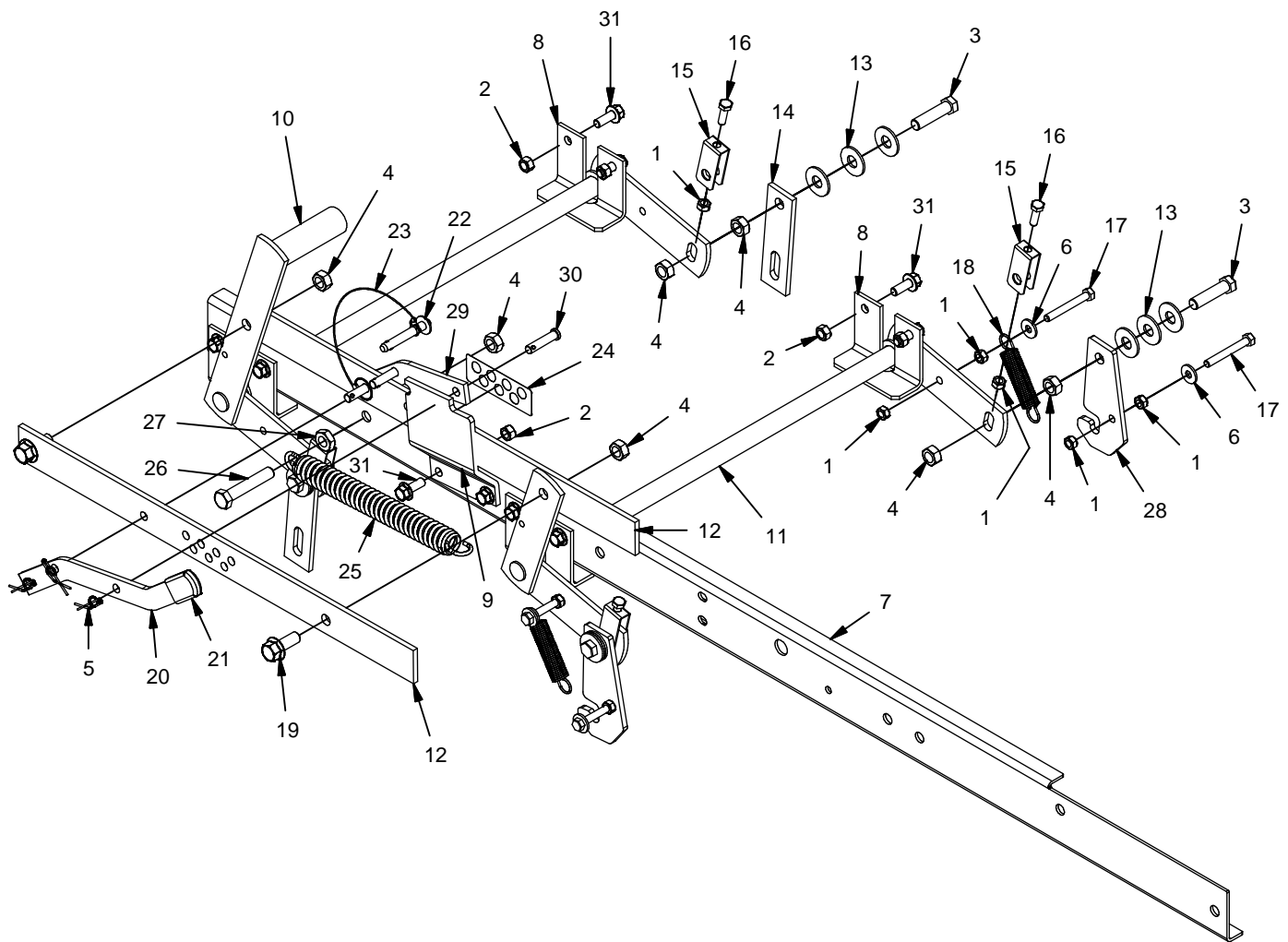


**48" & 52" DECK
6" IDLER ASSEMBLY**



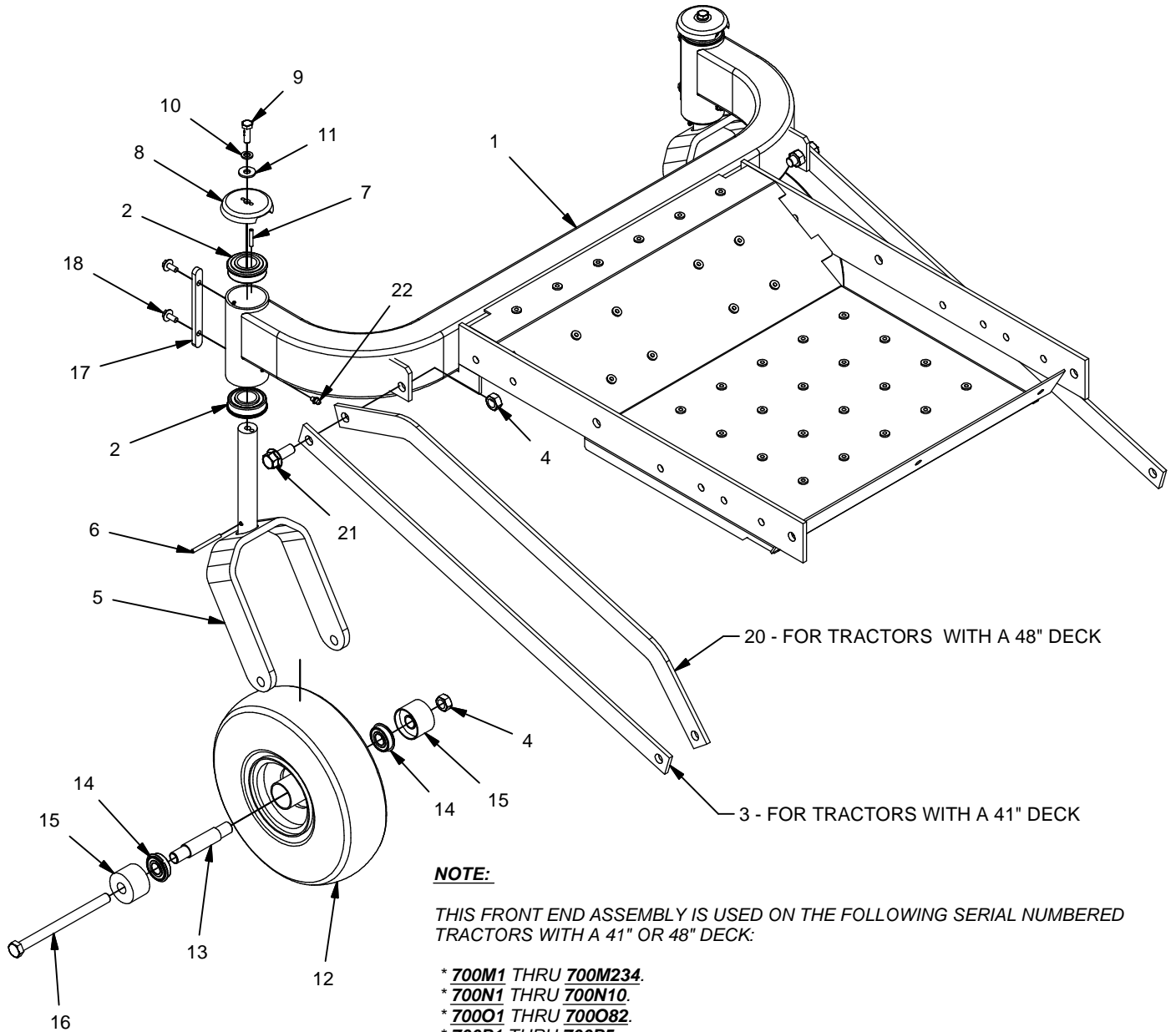
Parts List			Parts List		
ITEM	PART NUMBER	DESCRIPTION	ITEM	PART NUMBER	DESCRIPTION
1	F-1005-03	3/8-16 Stover Nut	19	660-110P	BELT KEEPER, B BELT
2	F-1521	1/2" WASHER, CUSTOM	20	F-1394	3/8-16 x 1" Capscrew
3	620-201P	WASHER, BEARING CAP	21	F-2083	WASHER, 3/8 FENDER
4	F-1966	1/2-13 THIN NYLOC NUT	22	660-114P	BELT KEEPER, SINGLE END
5	F-1464	1/2" LOCKWASHER	23	F-1707	5/16-18 x 2 1/4" CARRIAGE BOLT,
6	F-1489	1/2-13 Hex Jam Nut	24	700-008P	SPACER 2.000OD X .531ID X 1.375HT
7	660-138W	IDLER ARM WLDT, 1/2" OFFSET	25	F-2079	CARRIAGE BOLT 1/2-13 X 3-3/4"
8	D-3730	Flanged Bushing 5/8" Bore	26	F-1005-02	5/16-18 Nyloc Nut
9	660-135P	MOUNTING PIN	27	D-3904	PULLEY, FLAT IDLER, 5" (NTN)
10	F-1009-03	3/8" Flat Washer	28	F-2106	1/2-13 X 3-1/2" CARRIAGE BOLT
11	F-1268	3/8-16 x2-1/4" Capscrew	29	660-148P	SPACER, IDLER MOUNT
12	F-1822	1/2-13 X 2-1/4" CARRIAGE BOLT	30	F-1005-05	1/2-13 Stover Nut
13	F-1976	3/8-16 x 2" Carraige Bolt	31	F-1125	5/16-18 Stover Nut
14	660-081P	EXTENSION FOR SPRING	32	660-112P	BELT KEEPER
15	F-1733	1/4" x 1/2" DRIVE SCREW	33	D-3903	PULLEY, FLAT IDLER, 6" (NTN)
16	F-2102	WASHER.406ID X 2.25OD X 7GA THK	34	D-3924	PULLEY, FLT IDLER, NTN, DBL INSRT
17	668-021P	SPACER, BELT GUARD	35	D-3923	PULLEY, V-IDLER, 4.59 OD, AB, NTN
18	668-029P	BELT GUARD			

DECK LIFT ASSEMBLY



Parts List			Parts List		
ITEM	PART NUMBER	DESCRIPTION	ITEM	PART NUMBER	DESCRIPTION
1	F-1125	5/16-18 Stover Nut	17	F-1893	5/16-8 x 2-1/2 Capscrew
2	F-1005-03	3/8-16 Stover Nut	18	H-1635	SPRING, EXT, 3/4"OD X 4" OAL
3	F-1293	1/2-13 x 2" Capscrew	19	F-2127	FHCS, 1/2-13 x1.25, YZ, GR5
4	F-1005-05	1/2-13 Stover Nut	20	700-053P	HEIGHT ADJUSTMENT HANDLE
5	F-1492	5/16-3/8 Rue Ring	21	H-1850	GRIP, VINYL
6	F-1009-02	5/16" Flat Washer	22	F-2096	LOCK PIN, POSITIVE 3/8 X 1-1/2
7	700-098P	FRAME RAIL, LEFT	23	F-2069	PLASTIC LANYARD
8	700-037P	HANGER BRACKET, FLANGED	24	P-12921	DECAL, WRANGLER CUT HEIGHT
9	700-099P	PLATE, LATCH STOP	25	H-2749	SPRING,COUNTER BALANCE
10	700-100W	WLDMT, DECK LIFT, FRONT	26	F-1668	1/2-13 x 2-3/4" Capscrew
11	700-101W	WLDMT, DECK LIFT, REAR	27	F-1489	1/2-13 Hex Jam Nut
12	700-030P	LIFT BAR LINK	28	700-123P	HANGER, REAR
13	F-1009-05	1/2" FLAT WASHER	29	700-130P	HANDLE, HEIGHT ADJUSTMENT, SM
14	700-054P	HANGER PLATE	30	H-2802	PIN, CLEVIS, .375 X 1.625
15	700-038P	ADJUSTMENT SHACKLE	31	F-2141	FHCS, 3/8-16 x 1", YZ, GR5
16	F-1015-15	5/16-18 x 1" Capscrew			

FRONT END ASSEMBLY



NOTE:

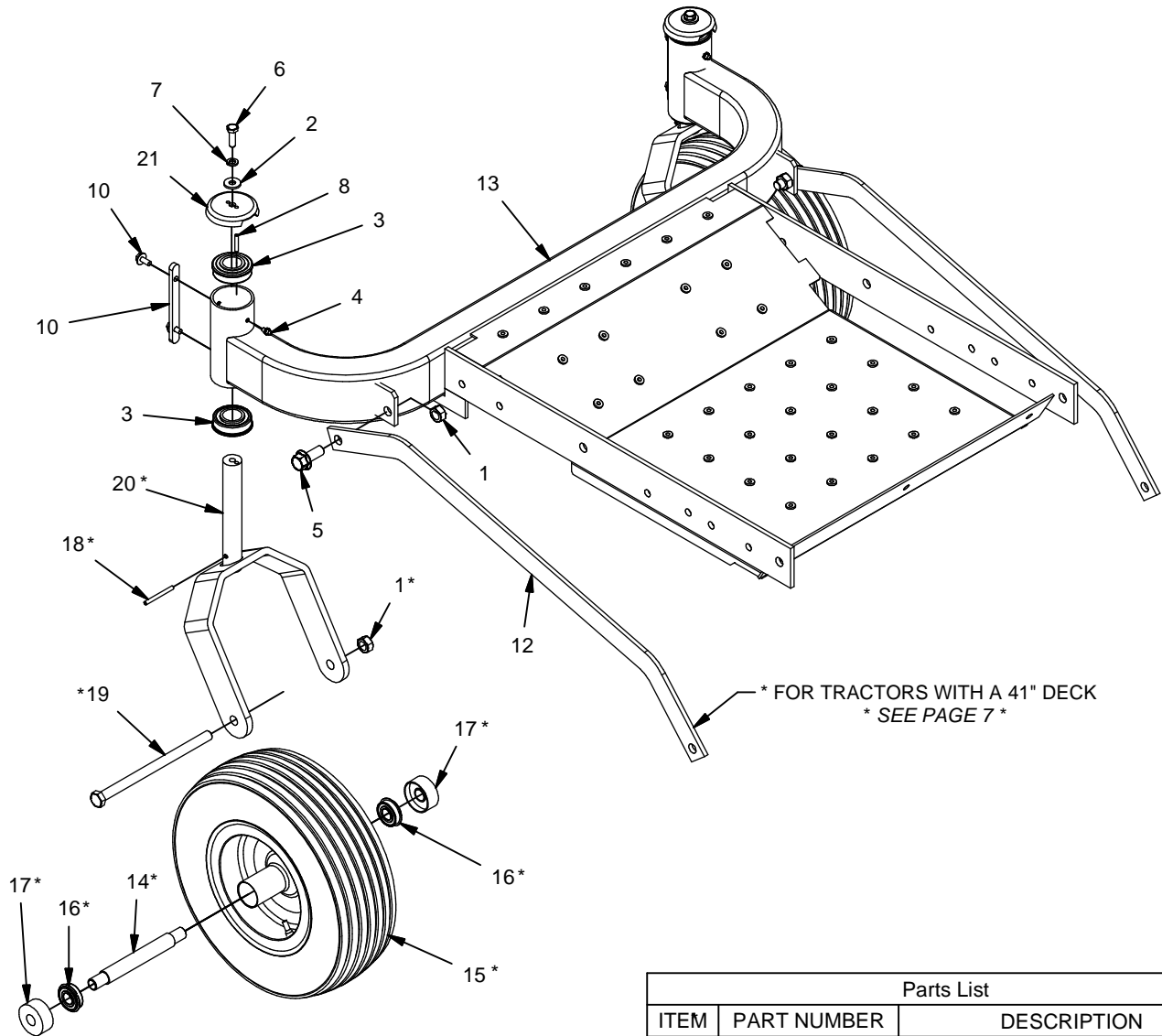
THIS FRONT END ASSEMBLY IS USED ON THE FOLLOWING SERIAL NUMBERED TRACTORS WITH A 41" OR 48" DECK:

- * 700M1 THRU 700M234.
- * 700N1 THRU 700N10.
- * 700O1 THRU 700O82.
- * 700P1 THRU 700P5.
- * 700X1 THRU 700X23.
- * 700Y1 THRU 700Y80.

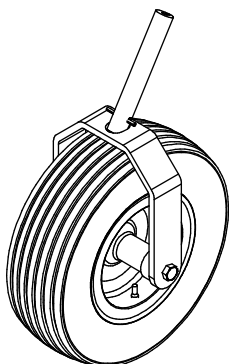
FOR ALL OTHER SERIAL NUMBERED TRACTORS, SEE NEXT PAGE.

Parts List			Parts List		
ITEM	PART NUMBER	DESCRIPTION	ITEM	PART NUMBER	DESCRIPTION
1	700-051W	FRONT AXLE WELDMENT	12	D-3605	Caster tire
2	D-2008-02	Bearing SF-16-32	13	622-121P	Bearing Spacer
3	700-029P	DRAG BAR, 41 WRANGLER	14	D-3432	Bearing 5/8" I.D. 1-3/8" O.D.
4	F-1005-05	1/2-13 Stover Nut	15	659-004P	Bearing Shield
5	659-184W	Caster Mount Weldment	16	F-1942	1/2-13 x 6-1/2" Capscrew
6	F-1456	3/16 x 2" Spiral Pin	17	659-185P	Stop Tab
7	F-1855	3/16 x 1" Roll Pin (Heavy Duty)	18	F-2030	1/4 x 5/8 Self Tapping Capscrew
8	636-176P	Bearing Cap	20	700-071P	DRAG BAR, 48 WRANGLER
9	F-1863	5/16-18 x 1" Capscrew W/PATCH	21	F-2127	FHCS, 1/2-13 x1.25, YZ, GR5
10	F-1019-02	5/16" LockWasher	22	H-1056	1/4" Grease Fitting
11	F-1009-02	5/16" Flat Washer			

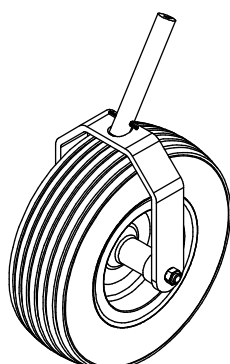
FRONT END ASSEMBLY



IN ADDITION TO SINGLE PIECE PARTS, FRONT CASTER WHEELS MAY BE PURCHASED AS ASSEMBLIES. LEFT AND RIGHT SIDE MARKED BELOW. * INDICATES ASSEMBLY PIECE PARTS.



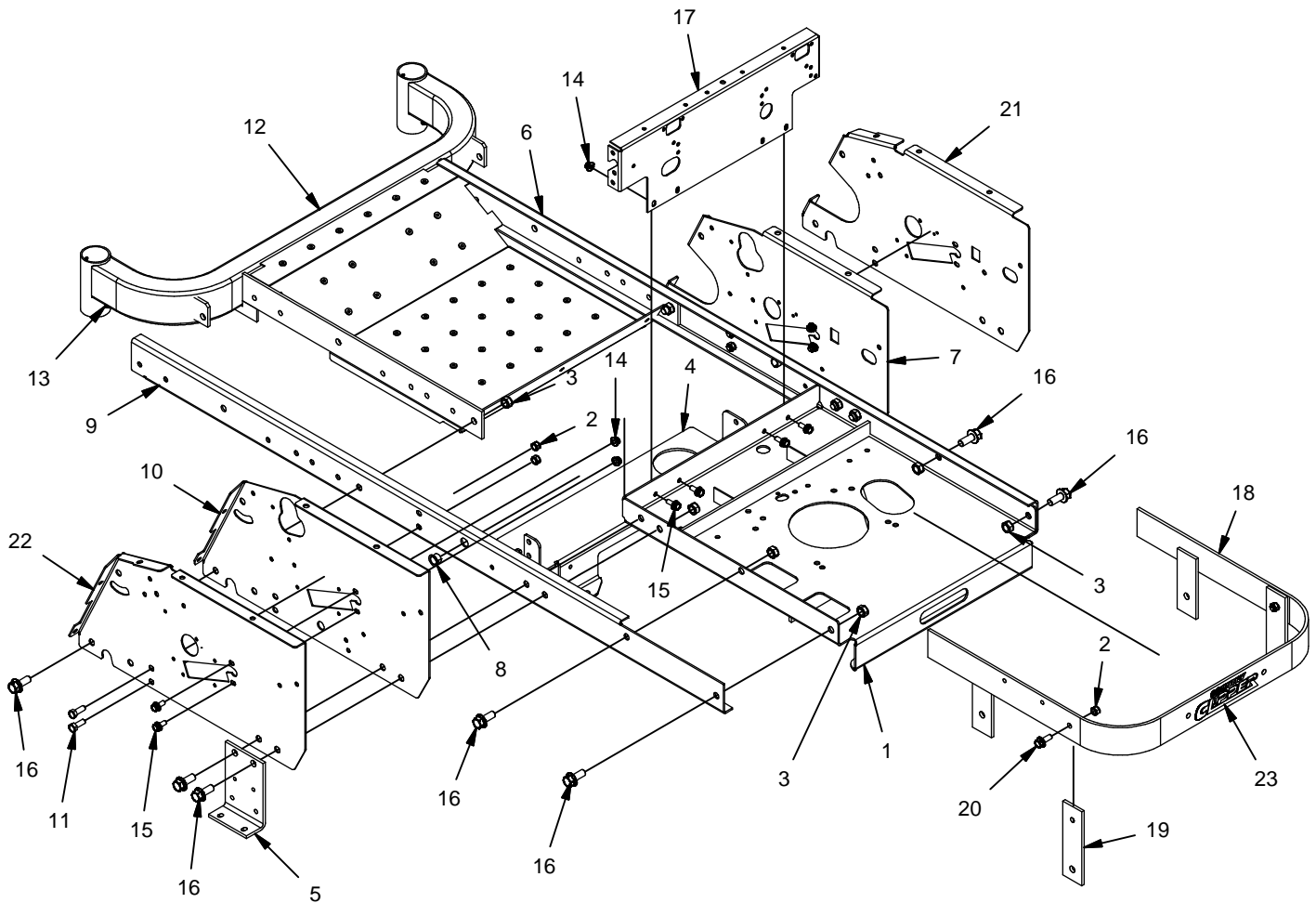
659-181A
(LEFT)



659-182A
(RIGHT)

Parts List		
ITEM	PART NUMBER	DESCRIPTION
1	F-1005-05	1/2-13 Stover Nut
2	F-1009-02	5/16" Flat Washer
3	D-2008-02	Bearing SF-16-32
4	H-1056	1/4" Grease Fitting
5	F-2127	FHCS, 1/2-13 x1.25, YZ, GR5
6	F-1863	5/16-18 x 1" Capscrew W/PATCH
7	F-1019-02	5/16" LockWasher
8	F-1855	3/16 x 1" Roll Pin (Heavy Duty)
9	F-2030	1/4-20 x 5/8 Self Tapping Capscrew
10 *	659-185P	Stop Tab
12	700-071P	DRAG BAR, 48 WRANGLER
13	700-113W	WLDT, FRONT AXLE
14 *	611-136P	Bearing Spacer
15 *	D-3574	13" Tire w/Wheel, Ribbed
16 *	D-3432	Bearing 5/8" I.D. 1-3/8" O.D.
17 *	611-135P	Bearing Shield
18 *	F-1456	3/16 x 2" Spiral Pin
19 *	F-1129	1/2-13 x 8" Capscrew
20 *	617-375W	Caster Yoke Weldment
21	636-176P	Bearing Cap

KOHLER 20HP SINGLE CYLINDER FRAME ASSEMBLY

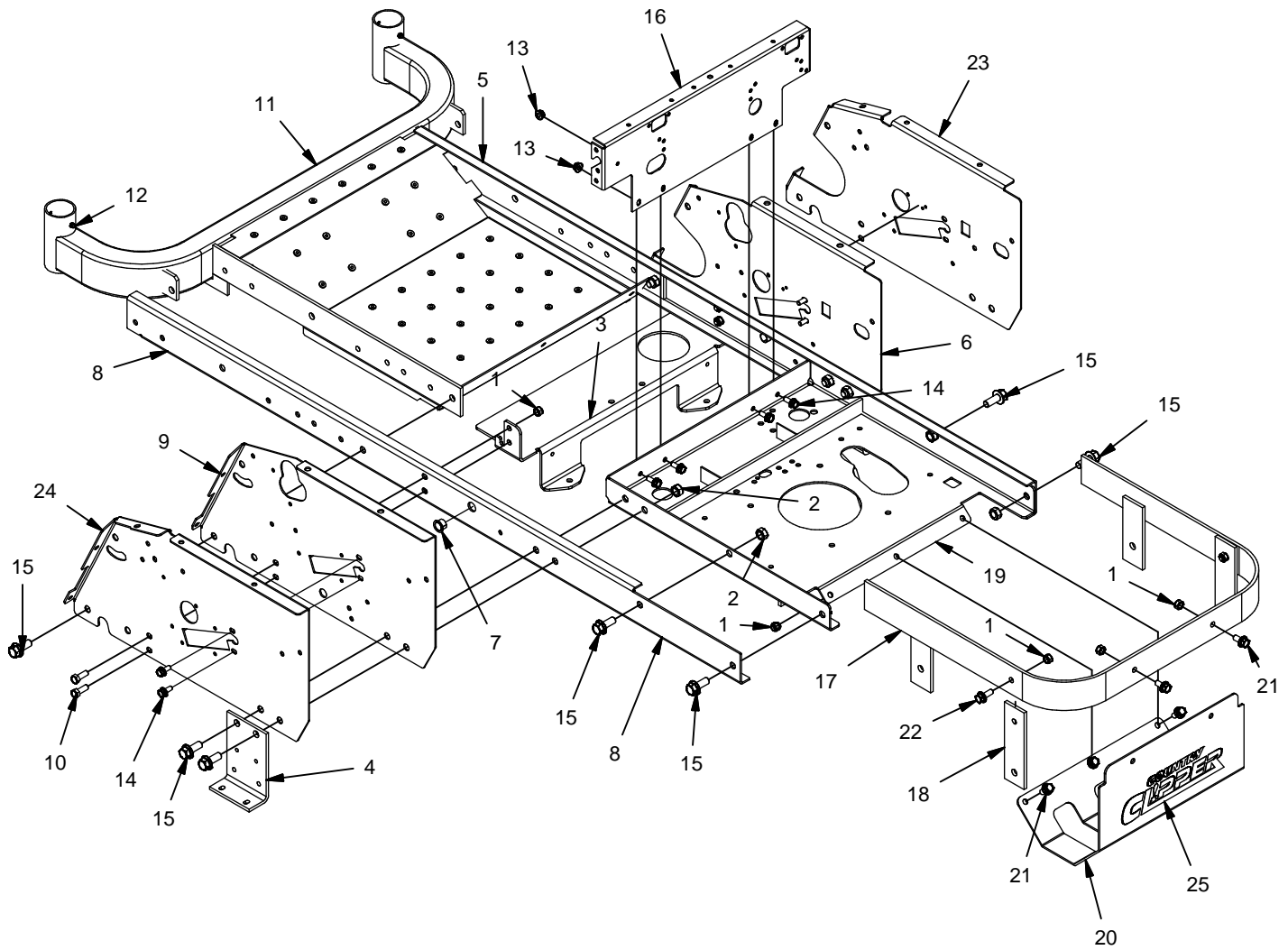


NOTE:

BOTH JOYSTICK AND TWIN STICK CONFIGURATIONS ARE SHOWN.

Parts List			Parts List		
ITEM	PART NUMBER	DESCRIPTION	ITEM	PART NUMBER	DESCRIPTION
1	700-082W	WLDT, MOTOR MOUNT	13	H-1056	1/4" Grease Fitting
2	F-1005-03	3/8-16 Stover Nut	14	F-2063	Nut, 5/16-18 Nyloc, Flanged
3	F-1005-05	1/2-13 Stover Nut	15	F-2120	FHCS, 5/16-18 x 0.75, YZ, GR5
4	707-036P	BRACE, TRANSMISSION	16	F-2127	FHCS, 1/2-13 x 1.25, YZ, GR5
5	659-350P	HYDRO MOUNT BRACKET	17	707-039P	REAR SEAT SUPPORT
6	700-041P	FRAME RAIL (R)	18	700-140A	ENGINE GUARD WLDT W/ DECAL
7	700-083P	SIDE PANEL, RH, JOYSTICK	19	700-078P	BAR, BUMPER BRACE
8	D-3730	Flanged Bushing 5/8" Bore	20	F-2141	FHCS, 3/8-16 x 1", YZ, GR5
9	700-098P	FRAME RAIL, LEFT	21	700-109P	SIDE PANEL, RH, TWINSTICK
10	700-084P	SIDE PANEL, LH, JOYSTICK	22	700-110P	SIDE PANEL, LH, TWINSTICK
11	F-1394	3/8-16 x 1" Capscrew	23	P-12098	Small "Country Clipper" Decal
12	700-051W	FRONT AXLE WELDMENT			

KAWASAKI 21.5HP TWIN CYLINDER FRAME ASSEMBLY

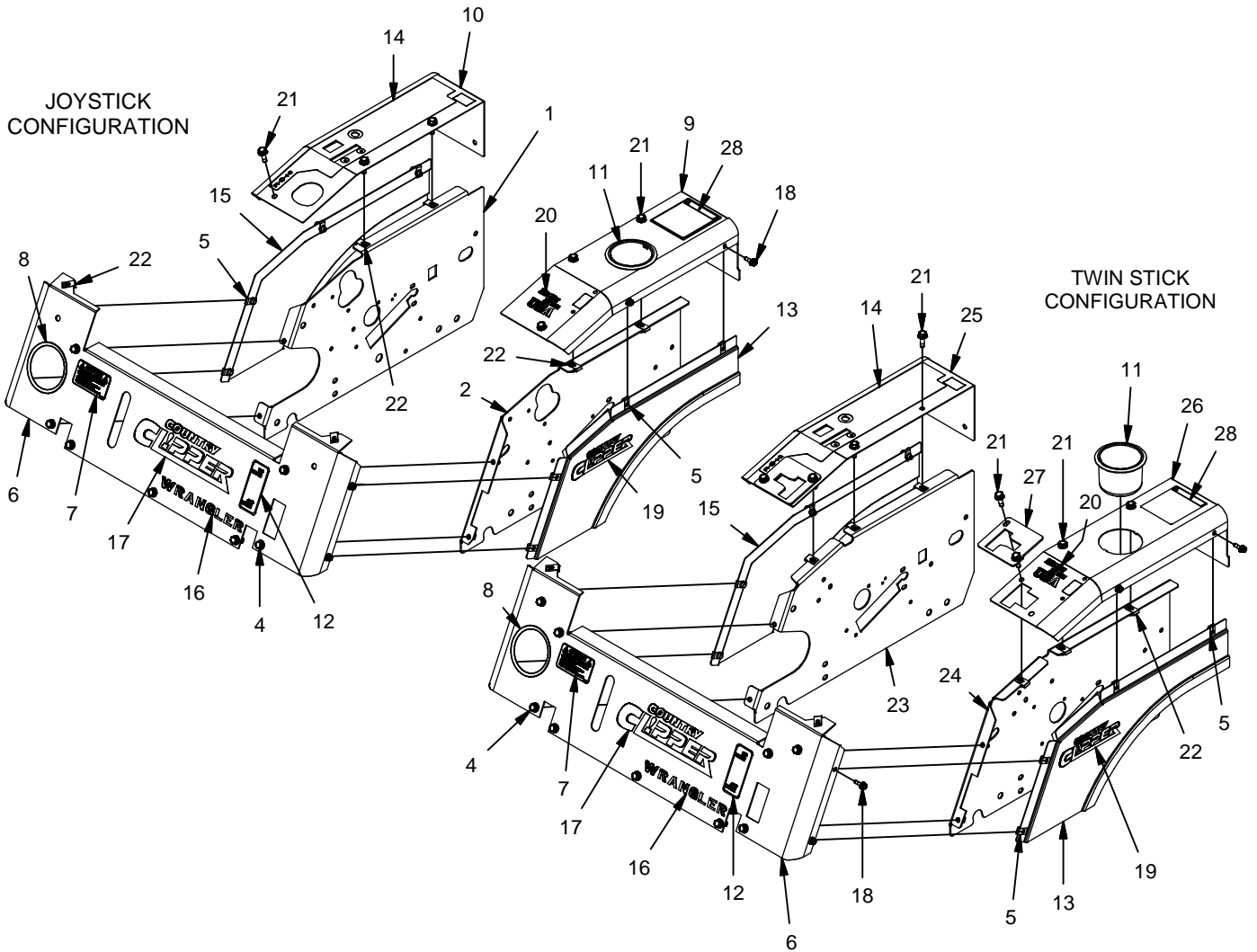


NOTE:

BOTH JOYSTICK AND TWIN STICK CONFIGURATIONS ARE SHOWN.

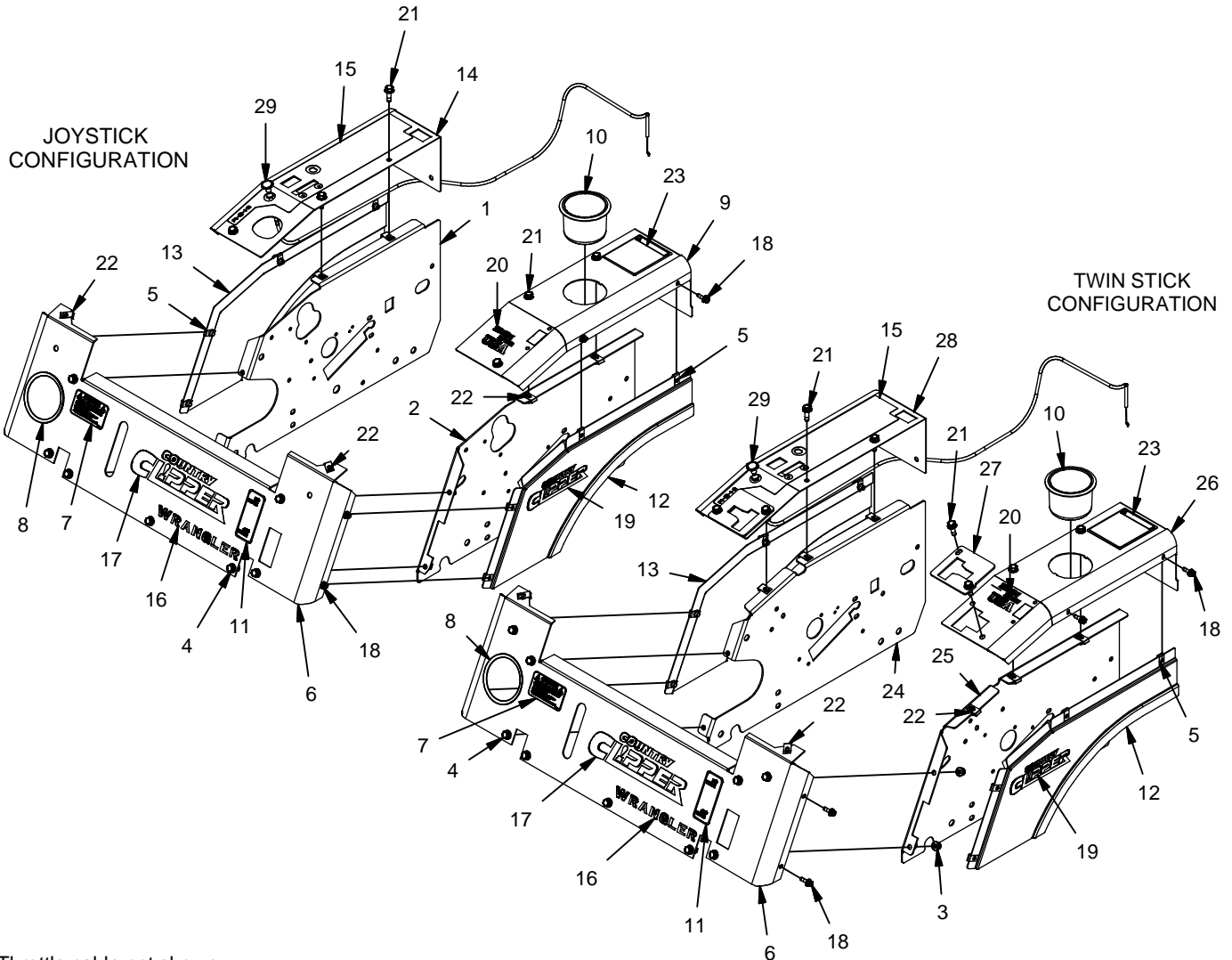
Parts List			Parts List		
ITEM	PART NUMBER	DESCRIPTION	ITEM	PART NUMBER	DESCRIPTION
1	F-1005-03	3/8-16 Stover Nut	14	F-2120	FHCS, 5/16-18 x 0.75, YZ, GR5
2	F-1005-05	1/2-13 Stover Nut	15	F-2127	FHCS, 1/2-13 x1.25, YZ, GR5
3	707-036P	BRACE, TRANSMISSION	16	707-039P	REAR SEAT SUPPORT
4	659-350P	HYDRO MOUNT BRACKET	17	700-080W	WLDT, ENGINE GUARD
5	700-041P	FRAME RAIL (R)	18	700-078P	BAR, BUMPER BRACE
6	700-083P	SIDE PANEL, RH, JOYSTICK	19	700-107W	WLDT, MOTOR MOUNT
7	D-3730	Flanged Bushing 5/8" Bore	20	700-141A	MUFFLER GUARD W/ DECAL
8	700-098P	FRAME RAIL, LEFT	21	F-2124	FHCS, 3/8-16 x 0.75, YZ, GR5
9	700-084P	SIDE PANEL, LH, JOYSTICK	22	F-2141	FHCS, 3/8-16 x 1", YZ, GR5
10	F-1394	3/8-16 x 1" Capscrew	23	700-109P	SIDE PANEL, RH, TWINSTICK
11	700-113W	WLDT, FRONT AXLE	24	700-110P	SIDE PANEL, LH, TWINSTICK
12	H-1056	1/4" Grease Fitting	25	P-12097	Country Clipper decal
13	F-2063	Nut, 5/16-18 Nyloc, Flanged			

KOHLER 20HP SINGLE CYLINDER FENDER ASSEMBLY



Parts List			Parts List		
ITEM	PART NUMBER	DESCRIPTION	ITEM	PART NUMBER	DESCRIPTION
1	700-083P	PANEL, SIDE, RH, JS	15	625-150A	FENDER SKIRT W/ DECAL, RH
2	700-084P	PANEL, SIDE, LH, JS	16	P-12978	DECAL, WRANGLER, GLOSS BLK
3	F-2063	Nut, 5/16-18 Nyloc, Flanged	17	P-12097	Country Clipper decal
4	F-2120	FHCS, 5/16-18 x 0.75, YZ, GR5	18	F-2119	FHCS, 1/4-20 x 0.75, LOCK PATCH
5	F-1858	1/4-20 "U"-Nut	19	P-12098	Small "Country Clipper" Decal
6	700-137A	WRANGLER FRONT PANEL W/ DECALS	20	P-13000	DECAL, MADE IN THE USA
7	P-12557	Caution Fuel Decal	21	F-2121	FHCS, 5/16-18 x 1.00, LOCK PATCH
8	H-1626	"U"-Channel Trim	22	F-1860	5/16-18 UNut
9	625-147A	FENDER CAP W/ DECALS, LH, JS	23	700-109P	PLT, SIDE PANEL, RH, TS
10	700-139A	FENDER CAP W DECAL, RH, JS	24	700-110P	PLT, SIDE PANEL, LH, TS
11	H-2228	Cup Holder	25	700-138A	FENDER CAP W/ DECAL, RH, TS
12	P-11382	Brake On-Off Decal w/Lightning Bolt	26	625-149A	FENDER CAP W/ DECALS, LH, TS
13	625-151A	FENDER SKIRT W/ DECAL, LH	27	659-262P	Neutral Plate
14	P-12926	DECAL, CONTROL PANEL	28	P-11370	Decal, WARNING

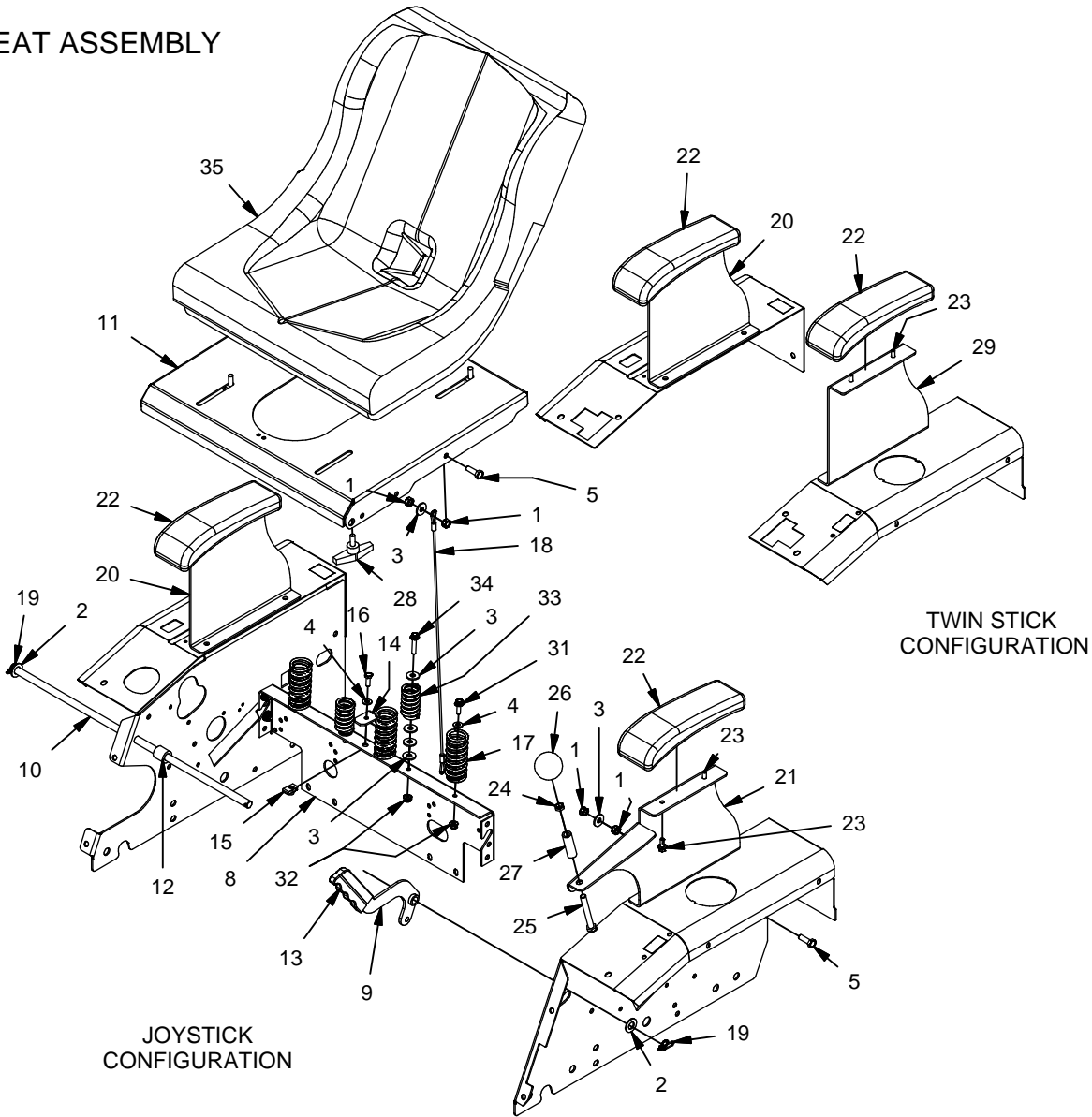
KAWASAKI 21.5 HP TWIN CYLINDER FENDER ASSEMBLY



Throttle cable not shown.
P/N: H-2609

Parts List			Parts List		
ITEM	PART NUMBER	DESCRIPTION	ITEM	PART NUMBER	DESCRIPTION
1	700-083P	PANEL, SIDE, RH, JS	16	P-12978	DECAL, WRANGLER, GLOSS BLK
2	700-084P	PANEL, SIDE, LH, JS	17	P-12097	Country Clipper decal
3	F-2063	Nut, 5/16-18 Nyloc, Flanged	18	F-2119	FHCS, 1/4-20 x 0.75, LOCK PATCH
4	F-2120	FHCS, 5/16-18 x 0.75, YZ, GR5	19	P-12098	Small "Country Clipper" Decal
5	F-1858	1/4-20 "U"-Nut	20	P-13000	DECAL, MADE IN THE USA
6	700-137A	WRANGLER FRONT PANEL W/ DECALS	21	F-2121	FHCS, 5/16-18 x 1.00, LOCK PATCH
7	P-12557	Caution Fuel Decal	22	F-1860	5/16-18 UNut
8	H-1626	"U"-Channel Trim	23	P-11370	Decal, WARNING
9	625-147A	FENDER CAP W/ DECALS, LH, JS	24	700-109P	PLT, SIDE PANEL, RH, TS
10	H-2228	Cup Holder	25	700-110P	PLT, SIDE PANEL, LH, TS
11	P-11382	Brake On-Off Decal w/Lightning Bolt	26	625-149A	FENDER CAP W/ DECALS, LH, TS
12	625-151A	FENDER SKIRT W/ DECAL, LH	27	659-262P	Neutral Plate
13	625-150A	FENDER SKIRT W/ DECAL, RH	28	625-148A	FENDER CAP W/ DECAL, RH, TS
14	625-146A	FENDER CAP W/ DECAL, RH, JS	29	H-2287	Choke cable
15	P-12925	DECAL, CONTROL PANEL	30	H-2609	Throttle cable

SEAT ASSEMBLY

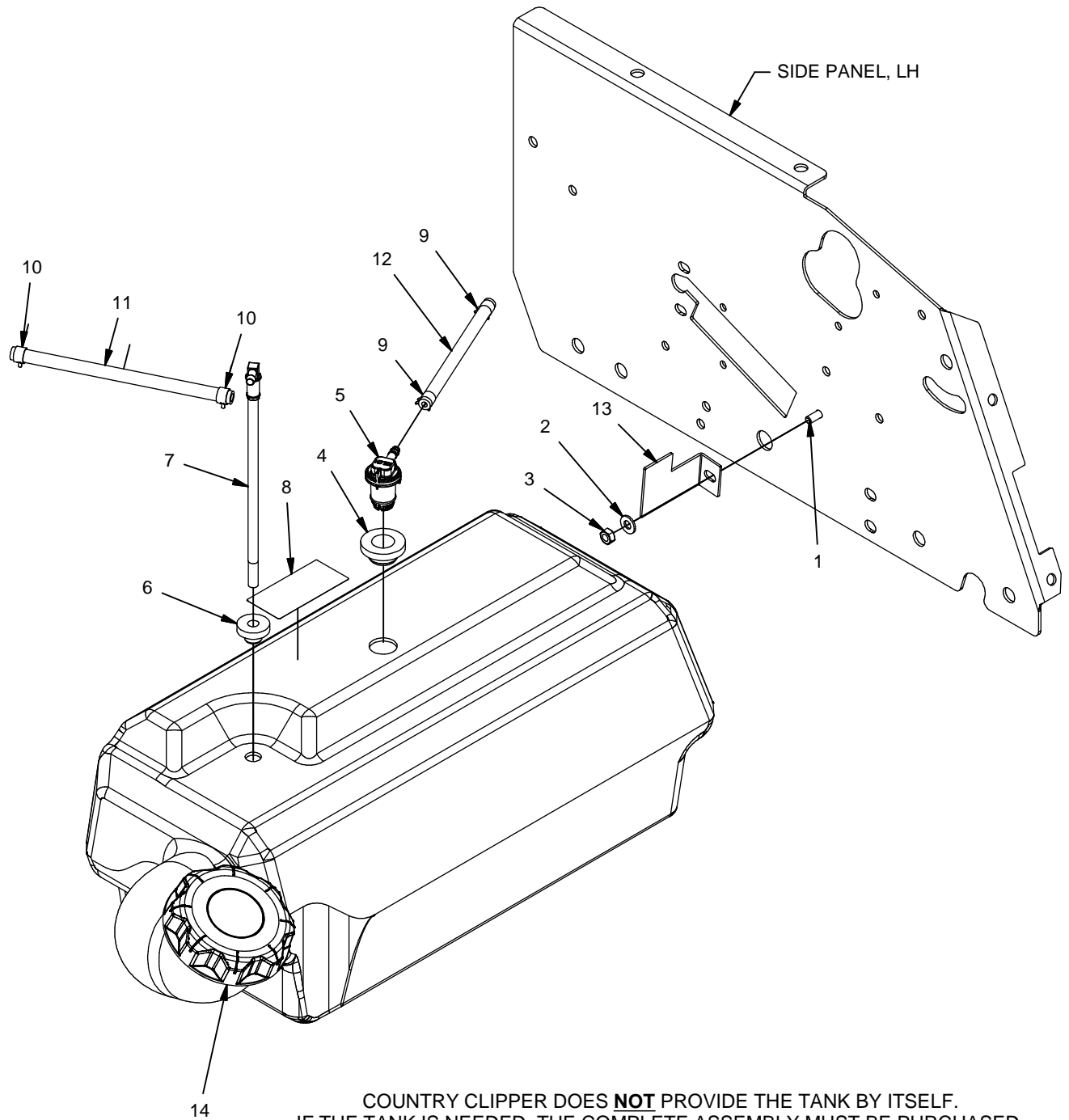


JOYSTICK CONFIGURATION

TWIN STICK CONFIGURATION

Parts List			Parts List		
ITEM	PART NUMBER	DESCRIPTION	ITEM	PART NUMBER	DESCRIPTION
1	F-1125	5/16-18 Stover Nut	19	H-2239	1/2" Rue Ring
2	F-1521	1/2" WASHER, CUSTOM	20	700-092P	PLT,ARM REST,RH
3	F-1009-02	5/16" Flat Washer	21	700-093P	PLATE, ARM REST, LH W/HANDLE
4	F-1009-01	1/4" Flat Washer	22	H-2753	PAD,ARM REST,MOLDED
5	F-1015-15	5/16-18 x 1" Capscrew	23	F-2134	HFCS, 1/4-20 X 0.625, YZ, SELF TAPPING
6	F-2063	Nut, 5/16-18 Nyloc, Flanged	24	F-1486	3/8-16 Jam Nut
7	F-2120	FHCS, 5/16-18 x 0.75, YZ, GR5	25	F-1537	3/8-16 x 3" Capscrew
8	707-039P	REAR SEAT SUPPORT	26	H-2130	BALL 1 7/8
9	707-042W	WLDT,BRAKE HANDLE	27	707-068P	SPACER, HANDLE
10	700-091P	PIN,SEAT HINGE	28	659-073A	T HANDLE KNOB ASSEMBLY
11	700-097P	PLATE,SEAT,SLOTTED	29	700-095P	PLT, ARM REST, LH
12	707-046P	SPACER,SEAT PAN	30	H-2449	SINGLE CYLINDER ENGINE SEAT
13	H-1926	1/4"x1" Handle Grip	31	F-2162	FHCS, 1/4-20 x 3/4", GR5, YZ
14	659-137P	Battery Hold Down	32	F-2132	NUT, 1/4-20 NYLOC, FLANGED
15	F-1858	1/4-20 "U"-Nut	33	H-2636	SPRING,CMPR,SEAT,CHARGER
16	F-1538	1/4-20 x 3/4" Capscrew	34	F-2182	FHCS, 1/4-20 x 1-1/4", GR5, YZ
17	H-1920	SPRING, SEAT	35	H-2449	Milsco Seat
18	H-2460	Spring Extention Cable			

FUEL TANK ASSEMBLY

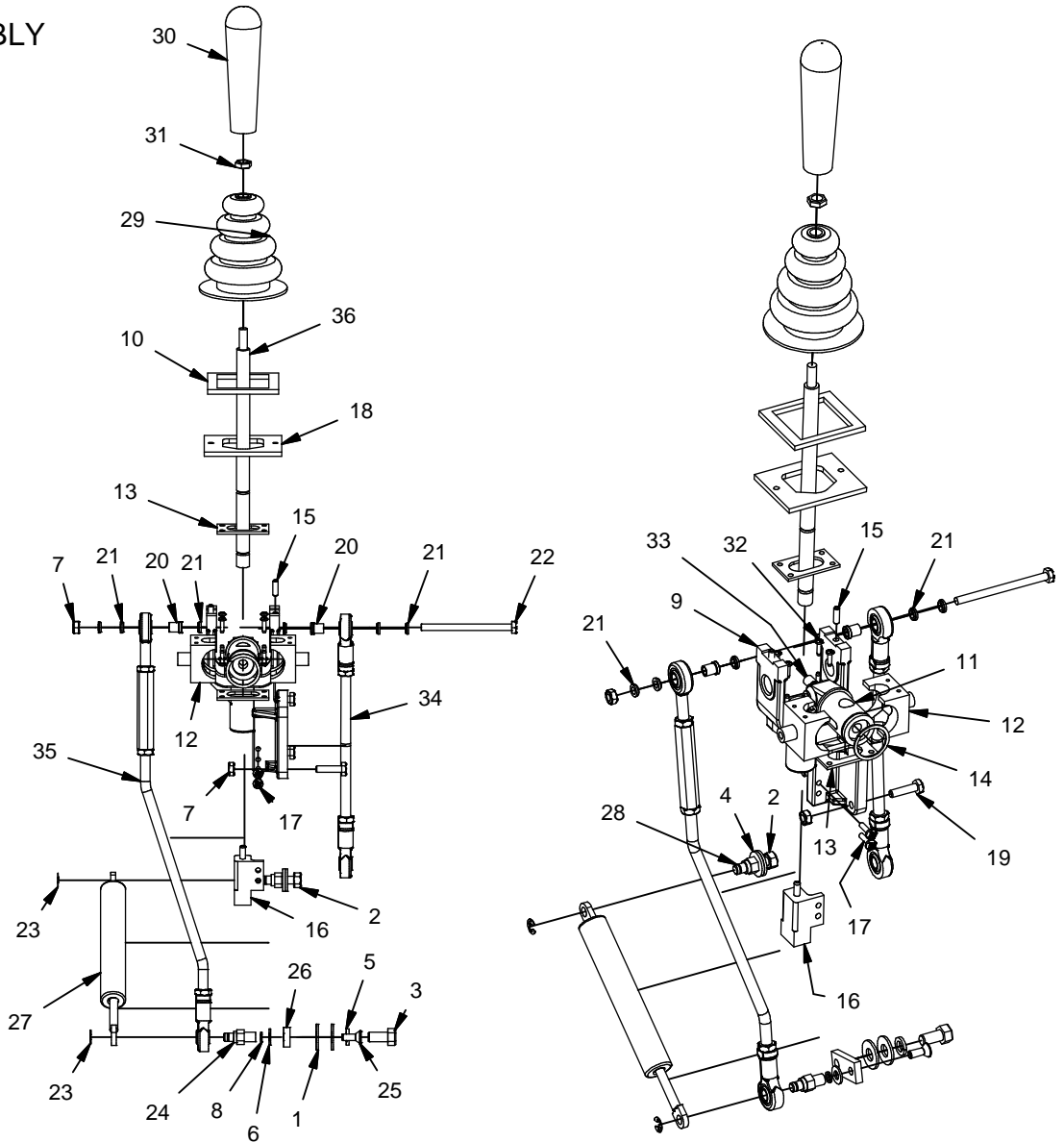


COUNTRY CLIPPER DOES **NOT** PROVIDE THE TANK BY ITSELF.
IF THE TANK IS NEEDED, THE COMPLETE ASSEMBLY MUST BE PURCHASED.

H-2724 - FUEL TANK ASSEMBLY, SMALL

Parts List			Parts List		
ITEM	PART NUMBER	DESCRIPTION	ITEM	PART NUMBER	DESCRIPTION
1	F-1015-02	1/4-20 x 5/8" Capscrew	8	P-12922	CARB/EPA LABEL
2	F-1009-01	1/4" Flat Washer	9	H-2698	CLAMP, .406 OD FUEL LINE
3	F-1158	1/4-20 Stover Nut	10	H-1687	1/2 O.D. Hose Spring Clamp
4	H-2679	REMOTE VENT GROMMET	11	H-1648	HOSE, FUEL LINE
5	H-2678	REMOTE VENT	12	H-2697	HOSE, VAPOR LINE
6	H-2741	GROMMET, PICK UP TUBE	13	700-108P	STRAP, FUEL TANK
7	H-2742	PICK UP TUBE	14	H-2743	3.50" CARB CAP W/ TETHER

JOYSTICK ASSEMBLY

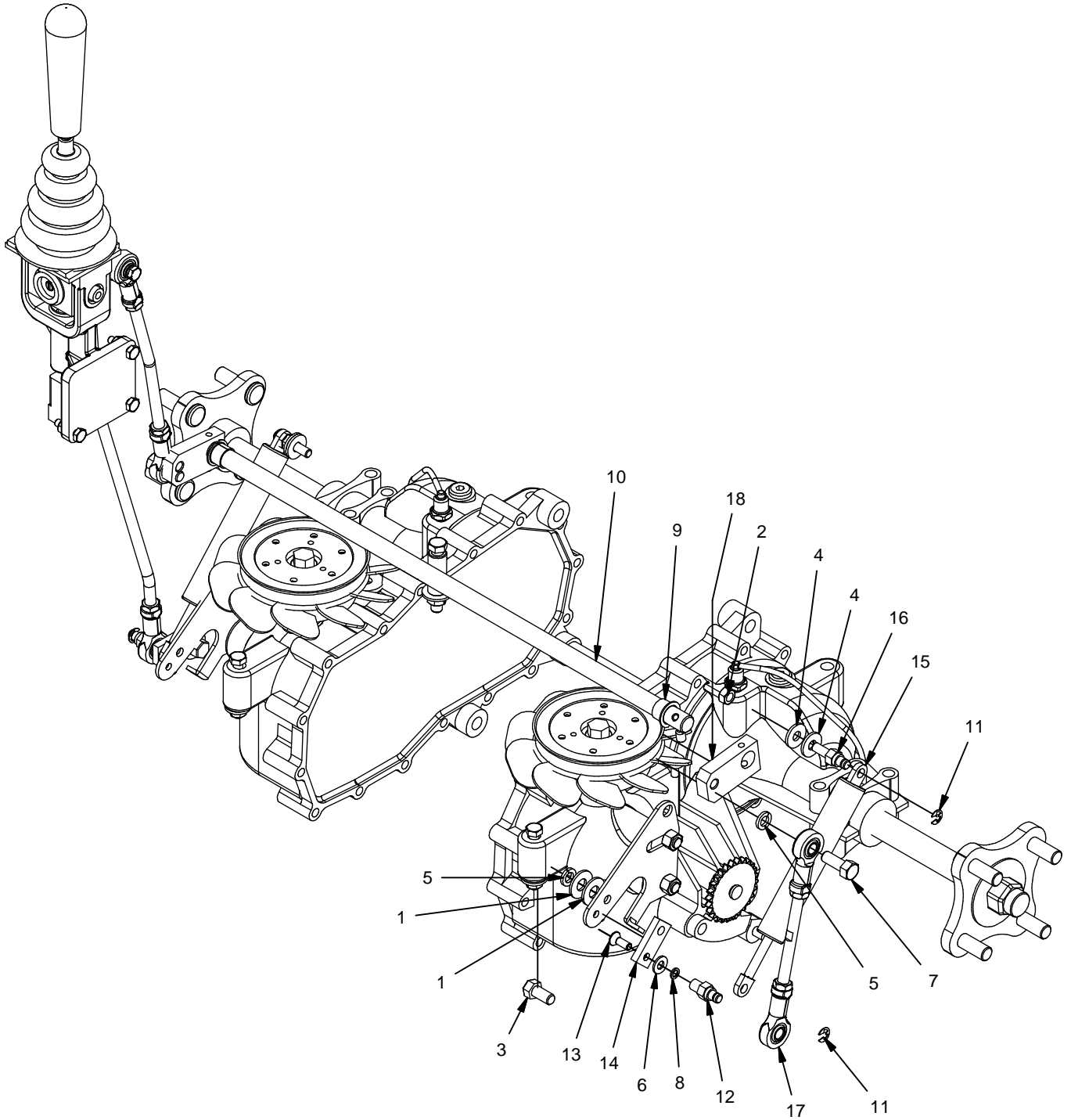


JOYSTICK ASSEMBLY:
647-122A

JOYSTICK REPAIR KIT:
612-332A

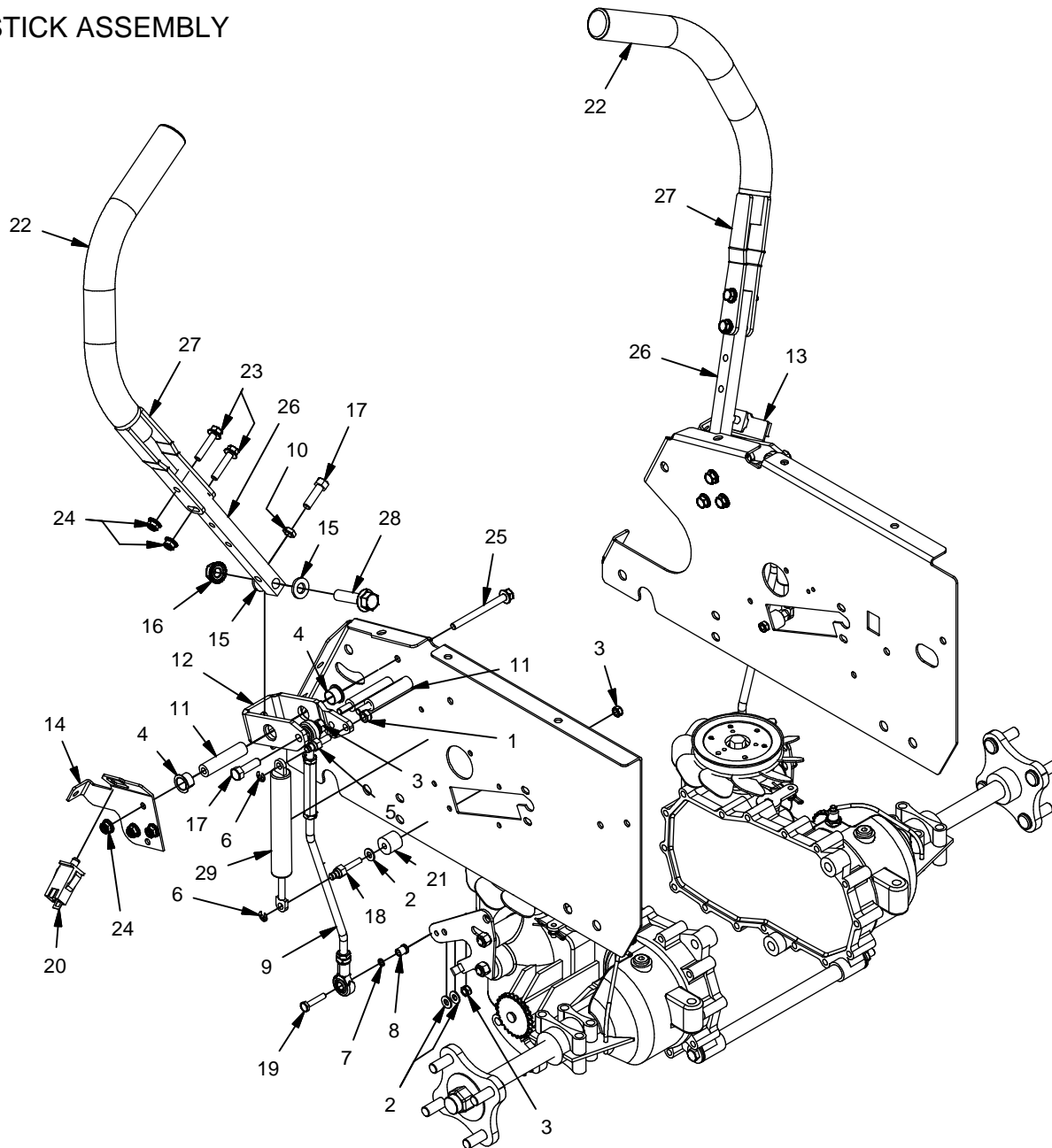
Parts List			Parts List		
ITEM	PART NUMBER	DESCRIPTION	ITEM	PART NUMBER	DESCRIPTION
1	F-1009-03	3/8" Flat Washer	19	F-1015-05	1/4-20 x 1" Capscrew
2	F-1125	5/16-18 Stover Nut	20	H-2465	ADAPTER, ROD END, LONG
3	F-1015-23	3/8-16 x 3/4" Capscrew	21	H-1989	Ball Joint Bushing
4	F-1009-02	5/16" Flat Washer	22	F-1020-01	1/4-20 x 3-1/2" Capscrew
5	F-1019-03	3/8" LOCKWASHER	23	F-1610	E-Ring for 1/4" Shaft
6	F-1009-01	1/4" Flat Washer	24	663-051P	Damper Stud (Female)
7	F-1158	1/4-20 Stover Nut	25	F-1609	1/4-20 x 3/4" F.H.C.S.
8	F-1019-01	1/4" LockWasher	26	659-275P	Tracking Adjustment Cam
9	659-144P	JOYSTICK LEVER CONTROL YOKE	27	H-2467	Dual Action Damper
10	H-1947	GASKET,FOAM,JOYSTICK	28	638-028P	Damper Bolt, 5/16-18 X 3/4"
11	H-1992	Pivot Shaft	29	H-1991	JoyStick Boot
12	H-1993	Pivot Block	30	H-2317	GRIP HANDLE, TAPERED
13	619-306P	Pivot Block Plate	31	F-1486	3/8-16 Jam Nut
14	H-1997	Snap Ring	32	F-2110	SCREW,#6-20 X 0.50,THD FORMING,CZ
15	F-1999	Roll Pin 3/8"Dia x 5/8"	33	F-1120	Ball Plunger
16	E-6297	Brake Switch	34	663-049P	STEERING LINK, SHORT
17	F-1993	#10-32 x 5/8 Phillips P.H.C.S.	35	663-050P	STEERING LINK, LONG
18	659-129P	Top Plate	36	621-140A	Joystick Assembly

JOYSTICK STEERING ASSEMBLY



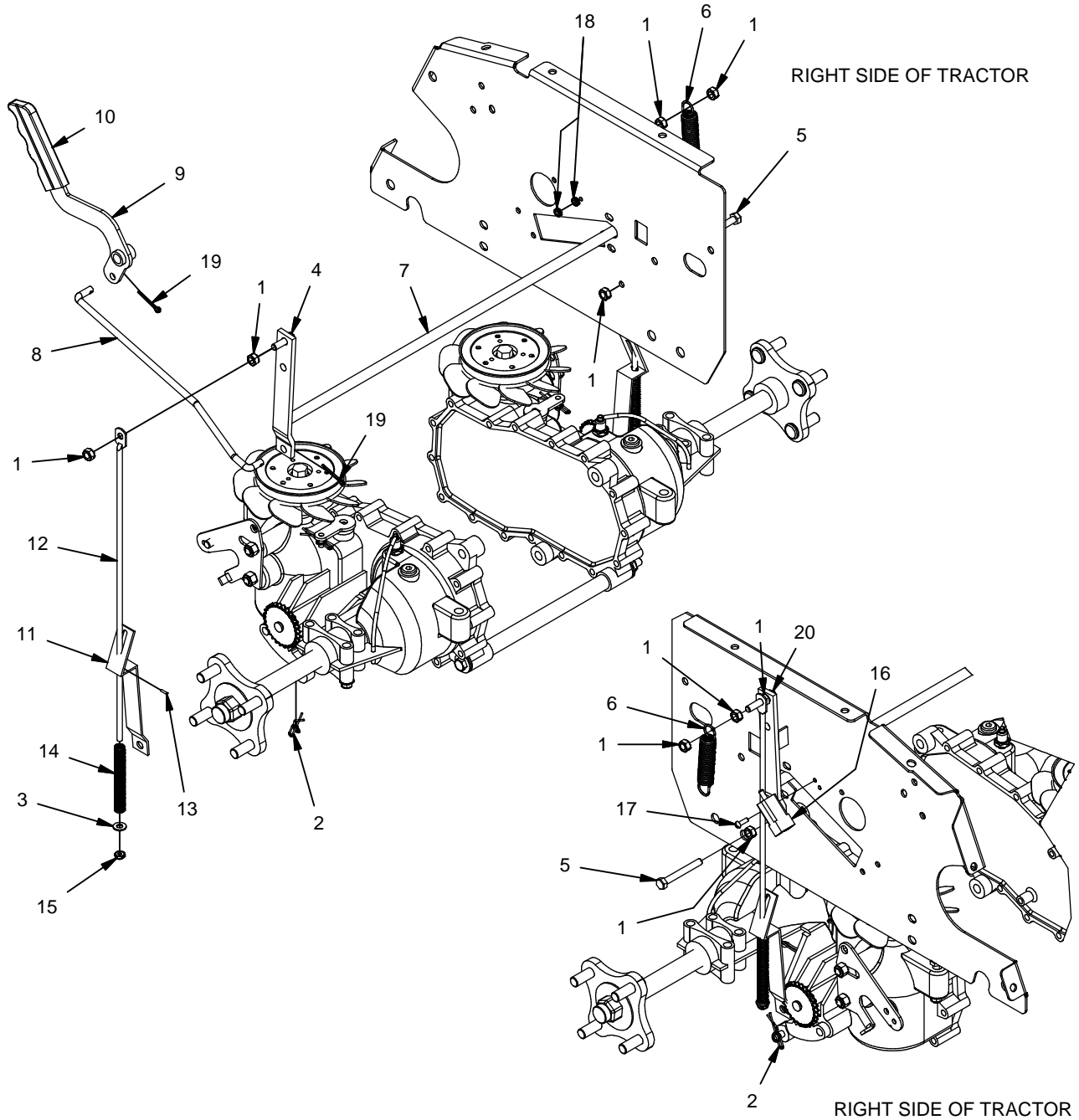
Parts List			Parts List		
ITEM	PART NUMBER	DESCRIPTION	ITEM	PART NUMBER	DESCRIPTION
1	F-1009-03	3/8" Flat Washer	10	700-055P	ROD, SHIFT CROSS
2	F-1125	5/16-18 Stover Nut	11	F-1610	E-Ring for 1/4" Shaft
3	F-1015-23	3/8-16 x 3/4" Capscrew	12	663-051P	Damper Stud (Female)
4	F-1009-02	5/16" Flat Washer	13	F-1609	1/4-20 x 3/4" F.H.C.S.
5	F-1019-03	3/8" LOCKWASHER	14	659-275P	Tracking Adjustment Cam
6	F-1009-01	1/4" Flat Washer	15	H-2467	Dual Action Damper
7	F-1394	3/8-16 x 1" Capscrew	16	638-028P	Damper Bolt, 5/16-18 X 3/4"
8	F-1019-01	1/4" LockWasher	17	659-127P	Linkage Rod (Short)
9	D-3730	Flanged Bushing 5/8" Bore	18	625-122A	ARM, SWIVEL, S/A

TWIN STICK ASSEMBLY



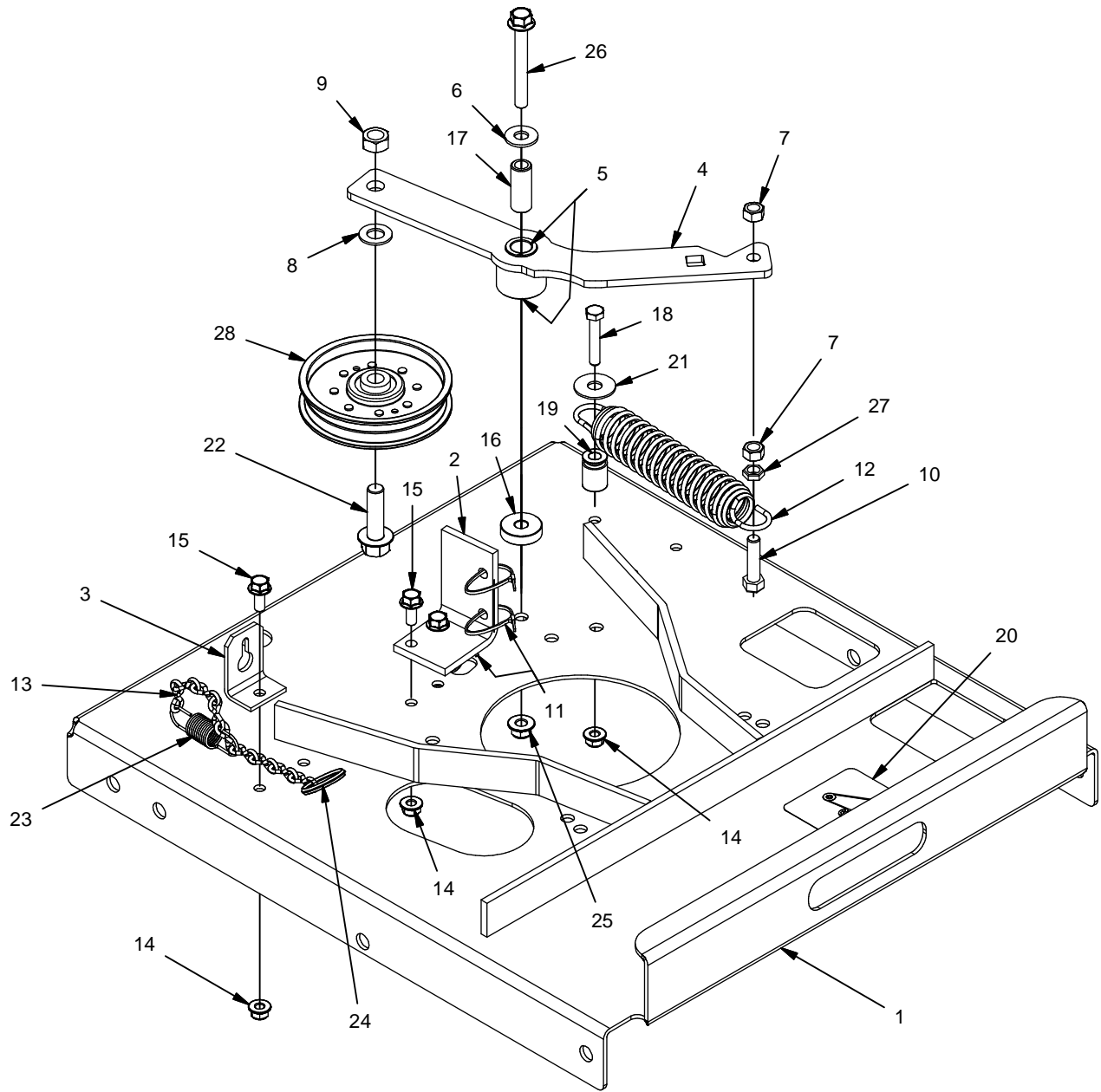
Parts List			Parts List		
ITEM	PART NUMBER	DESCRIPTION	ITEM	PART NUMBER	DESCRIPTION
1	F-1125	5/16-18 Stover Nut	16	F-2060	Nut, Flange Lock, Top Lock 1/2-13
2	F-1009-01	1/4" Flat Washer	17	F-1307	3/8-16 x 1-1/4" Capscrew
3	F-1158	1/4-20 Stover Nut	18	638-029P	Damper Bolt, 1/4-20
4	D-3730	Flanged Bushing 5/8" Bore	19	F-1539	1/4-20 x 1-1/4" Capscrew
5	638-028P	Damper Bolt, 5/16-18 X 3/4"	20	E-6474	Switch, Snap Mount
6	F-1610	E-Ring for 1/4" Shaft	21	663-148P	SPACER
7	F-1019-01	1/4" LockWasher	22	H-2739	GRIP, 15, CLOSED END
8	H-2465	ADAPTER, ROD END, LONG	23	F-2129	FHCS, 5/16-18 x 1.50, LOCK PATCH, GR5
9	663-050P	Steering Linkage Assembly	24	F-2063	Nut, 5/16-18 Nyloc, Flanged
10	F-1486	3/8-16 Jam Nut	25	F-2172	FHCS, 5/16-18 x 3-1/2", YZ, GR5
11	659-252P	Tube Spacer	26	659-365P	LOWER SHIFT BLOCK
12	659-243P	SHIFTING YOKE	27	659-364W	WLDT, DUAL LEVER
13	647-242P	BRACKET, MOUNT, TS, RH	28	F-2128	FHCS, 1/2-13 x 2.00, YZ, GR5
14	647-243P	BRACKET, MOUNT, TS, LH	29	H-2843	DAMPER, DUAL ACTION, 750N
15	606-151P	WASHER, NYLON 1/2 ID X 1/8			

BRAKE ASSEMBLY



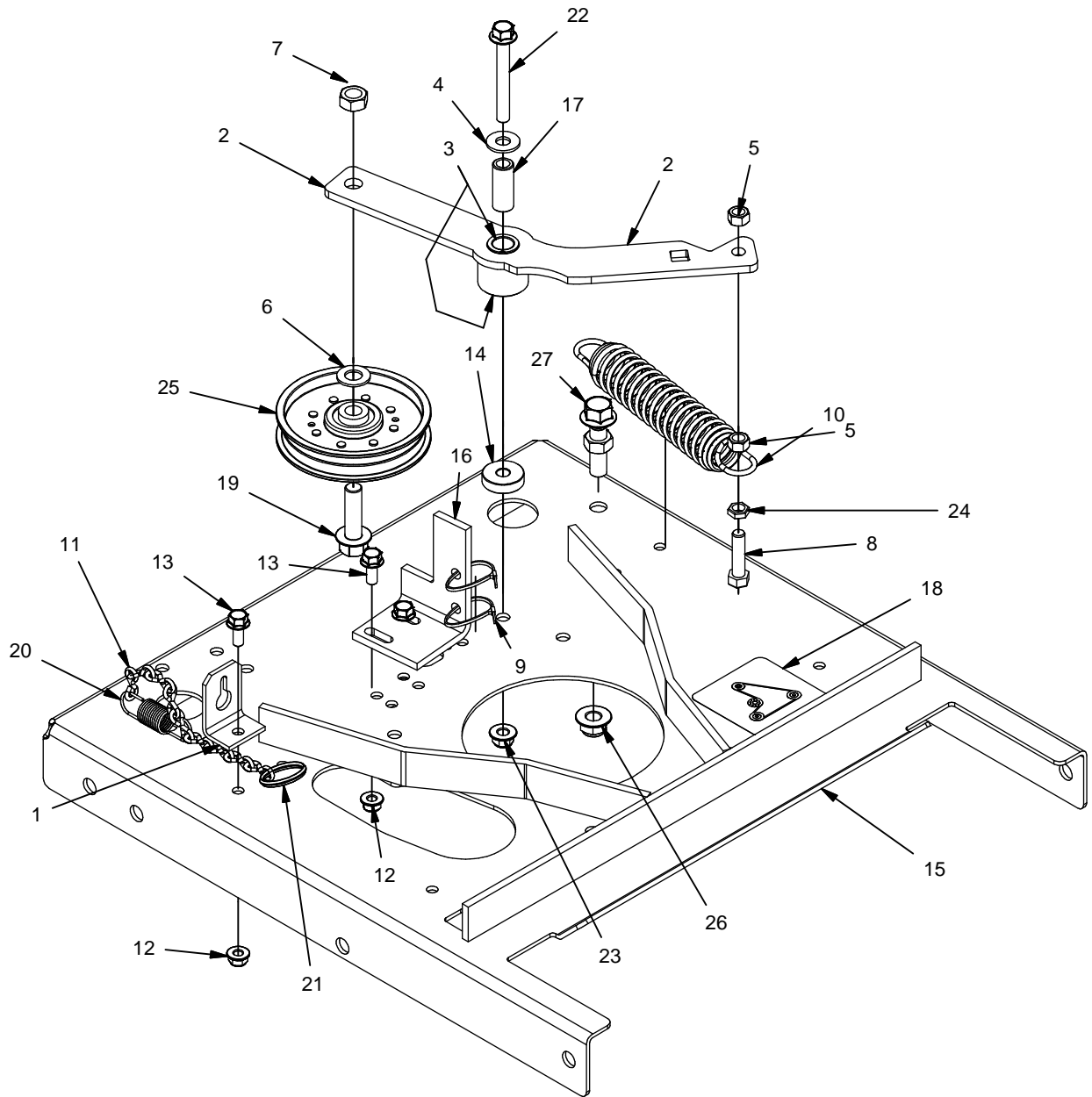
Parts List			Parts List		
ITEM	PART NUMBER	DESCRIPTION	ITEM	PART NUMBER	DESCRIPTION
1	F-1125	5/16-18 Stover Nut	11	659-013P	Lower Brake Link
2	F-1492	5/16-3/8 Rue Ring	12	H-2206	Brake Link Rod
3	F-1009-01	1/4" Flat Washer	13	H-1800	3/32 x 3/8" Roll Pin
4	F-1015-15	5/16-18 x 1" Capscrew	14	H-2426	.372 x 3.69 Spring
5	F-1893	5/16-8 x 2-1/2 Capscrew	15	F-1748	1/4-20 Thin Nyloc Nut
6	H-1635	SPRING, EXT, 3/4"OD X 4" OAL	16	E-6297	Brake Switch
7	659-206W	BRAKE ROD WLDT	17	F-1022-26	10-32 x 5/8" MachineScrew
8	707-044P	LINK, PARK BRAKE	18	F-1448	10-32 Nyloc Locknut
9	707-042W	WLDT,BRAKE HANDLE	19	F-2054	Cotter Pin, 7/64" X 1"
10	H-1926	1/4"x1" Handle Grip	20	F-1693	5/16-18 x 1-1/2" All Thd Capscrew

KOHLER 20HP SINGLE CYLINDER MOTOR MOUNT ASSEMBLY



Parts List			Parts List		
ITEM	PART NUMBER	DESCRIPTION	ITEM	PART NUMBER	DESCRIPTION
1	700-082W	WLDT, MOTOR MOUNT	15	F-2120	FHCS, 5/16-18 x 0.75, YZ, GR5
2	700-026P	CLUTCH STOP	16	707-022P	SPACER, 3/8X1-1/4, .500
3	659-119P	Free Wheel Anchor	17	659-085P	Mounting Pin
4	707-011W	WLDT, IDLER ARM	18	F-1015-18	5/16-18 x 1-3/4" Capscrew
5	D-3730	Flanged Bushing 5/8" Bore	19	707-084P	TUBE, SPRING MOUNT
6	F-1009-03	3/8" Flat Washer	20	P-12918	DECAL, HYDRO BELT ROUTING
7	F-1005-03	3/8-16 Stover Nut	21	F-2083	WASHER, 3/8 FENDER
8	F-1521	1/2" WASHER, CUSTOM	22	F-2154	FHCS, 1/2-13 x1-3/4", YZ, GR5
9	F-1005-05	1/2-13 Stover Nut	23	H-1319	FreeWheel Spring
10	F-1015-27	3/8-16 x 1-1/2" Capscrew	24	H-2345	Split Ring
11	E-5842	Wire Tie	25	F-2151	Nut, 3/8-16 Nyloc, Flanged
12	H-2619	SPRING, 5 X 1-1/2, TAPERED ENDS	26	F-2180	FHCS, 3/8-16 x 3", YZ, GR5
13	707-074P	Chain	27	F-1486	3/8-16 Jam Nut
14	F-2063	Nut, 5/16-18 Nyloc, Flanged	28	D-3922	PULLEY, FLT IDLER, SNGLE INSRT

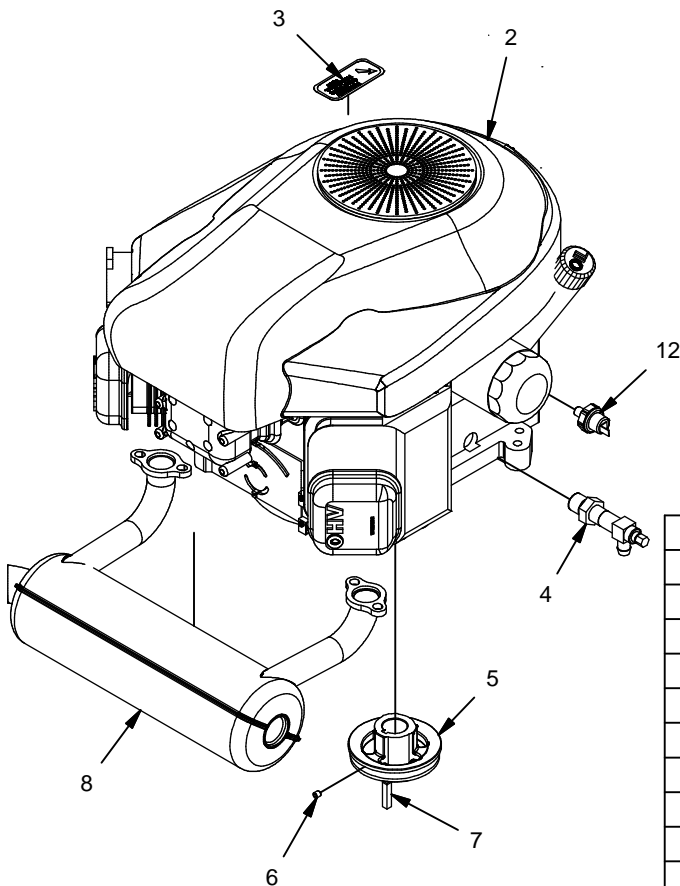
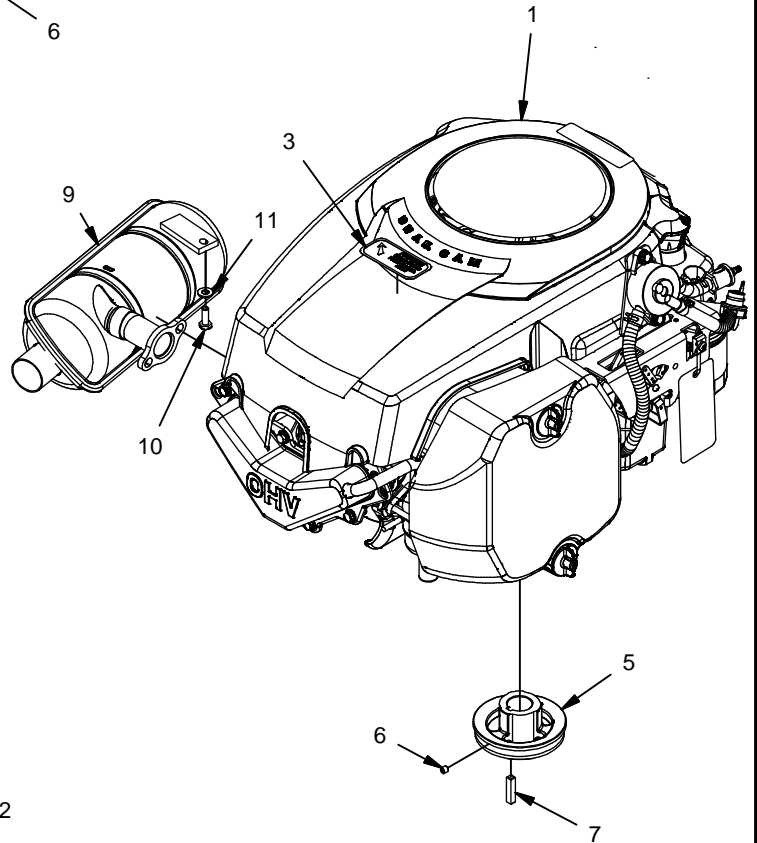
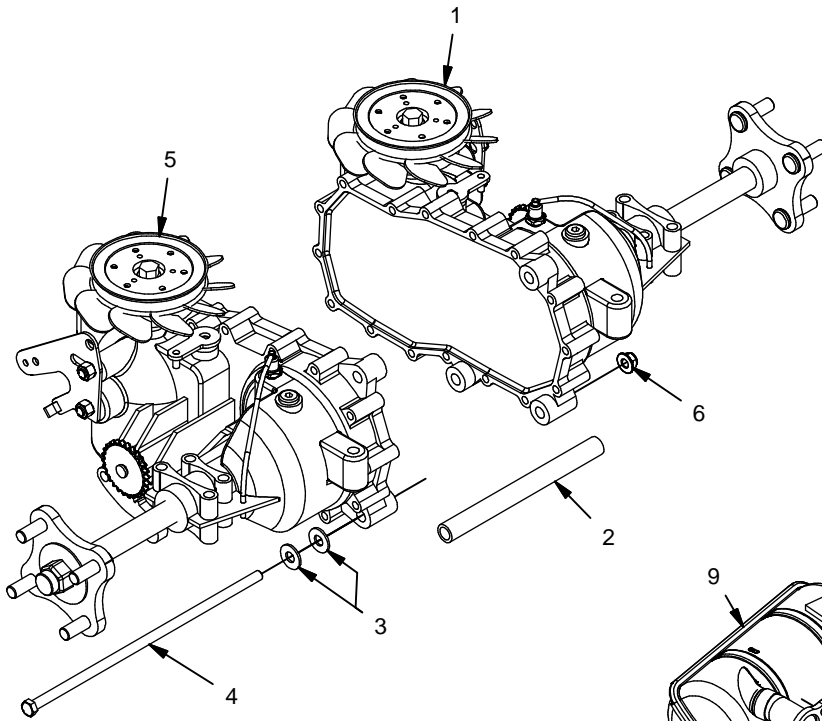
KAWASAKI 21.5HP TWIN CYLINDER MOTOR MOUNT ASSEMBLY



Parts List			Parts List		
ITEM	PART NUMBER	DESCRIPTION	ITEM	PART NUMBER	DESCRIPTION
1	659-119P	Free Wheel Anchor	15	700-107W	WLDT, MOTOR MOUNT
2	707-011W	WLDT, IDLER ARM	16	707-033P	CLUTCH STOP
3	D-3730	Flanged Bushing 5/8" Bore	17	659-085P	Mounting Pin
4	F-1009-03	3/8" Flat Washer	18	P-12918	DECAL, HYDRO BELT ROUTING
5	F-1005-03	3/8-16 Stover Nut	19	F-2154	FHCS, 1/2-13 x1-3/4", YZ, GR5
6	F-1521	1/2" WASHER, CUSTOM	20	H-1319	FreeWheel Spring
7	F-1005-05	1/2-13 Stover Nut	21	H-2345	Split Ring
8	F-1015-27	3/8-16 x 1-1/2" Capscrew	22	F-2180	FHCS, 3/8-16 x 3", YZ, GR5
9	E-5842	Wire Tie	23	F-2151	Nut,3/8-16 Nyloc, Flanged
10	H-2619	SPRING,5 X 1-1/2,TAPERED ENDS	24	F-1486	3/8-16 Jam Nut
11	707-074P	Chain	25	D-3922	PULLEY, FLT IDLER, SINGLE INSERT
12	F-2063	Nut, 5/16-18 Nyloc, Flanged	26	F-2152	Nut,1/2-13 Nyloc, Flanged
13	F-2120	FHCS, 5/16-18 x 0.75, YZ, GR5	27	700-145P	SPRING ANCHOR, BOLT
14	707-022P	SPACER,3/8X1-1/4,,500			

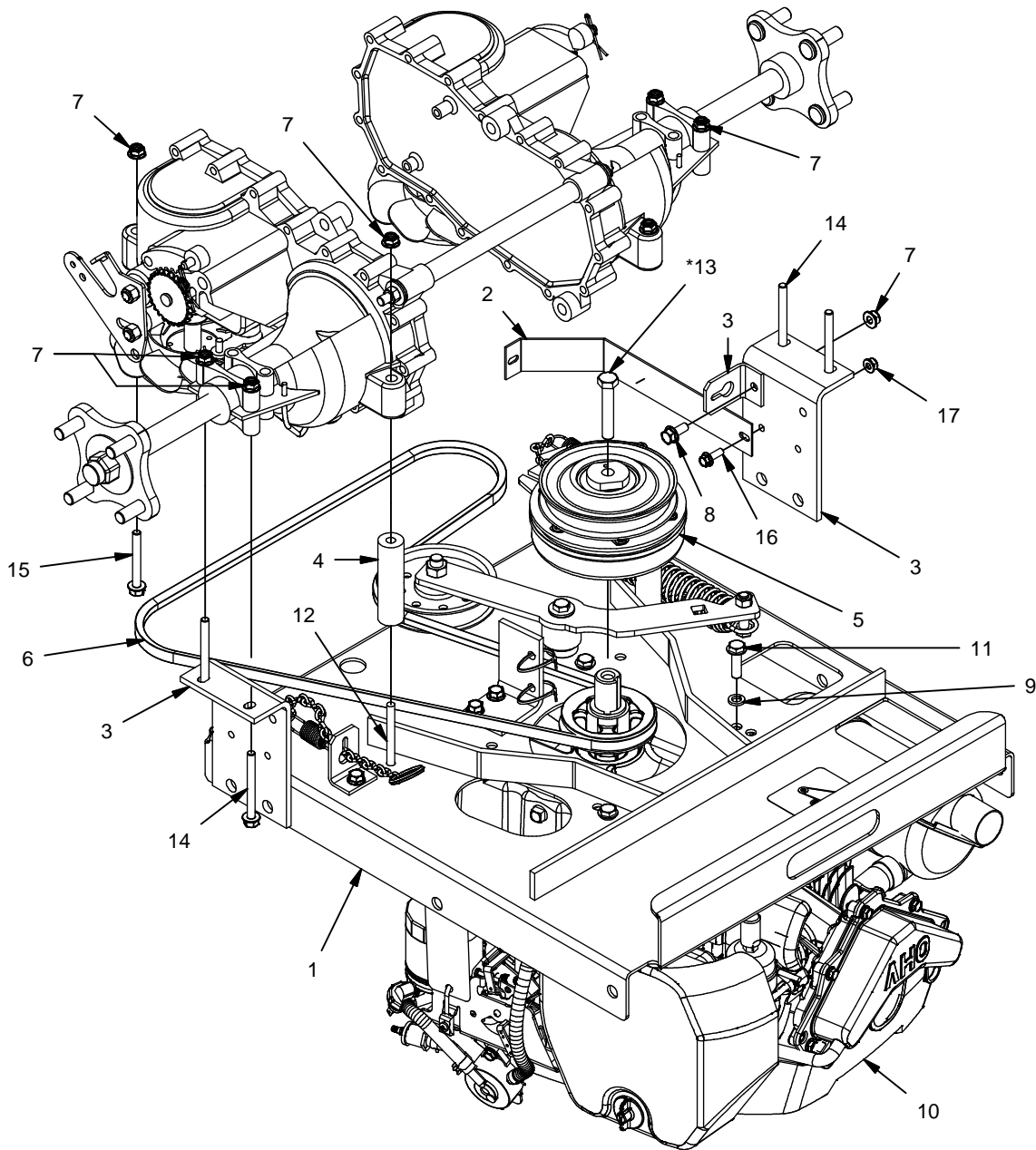
MOTORS AND TRANSAXLE

Transaxle Parts List		
ITEM	PART NUMBER	DESCRIPTION
1	D-3783-01	Transaxle 7" Fan RH
2	659-120P	Hydro Brace
3	F-1009-03	3/8" Flat Washer
4	F-2048	3/8-16 x 12" Hex Bolt
5	D-3783-02	Transaxle 7" Fan LH
6	F-2151	Nut, 3/8-16 Nyloc, Flanged



Motor Parts List		
ITEM	PART NUMBER	DESCRIPTION
1	M-5398	ENGINE. KOHLER 20HP SINGLE, SV600
2	M-5393	ENGINE, KAWASAKI 21.5HP, FR651V TWIN
3	P-10077-11	"Clean Debris" decal
4	H-2590	Oil Drain Valve
5	D-3726	Engine Pulley 3.75"
6	F-1228	1/4-20 x 1/4" Set Screw W/Nylon Patch
7	621-113P	1/4"sq x 1-1/4" Key
8	H-2750	MUFFLER, KAW TWIN, LOW MOUNT
9	H-2747	MUFFLER, KOHLER SINGLE CYLINDER
10	F-1538	1/4-20 x 3/4" Capscrew
11	F-1009-01	1/4" Flat Washer
12	E-6307	Oil Pressure Switch

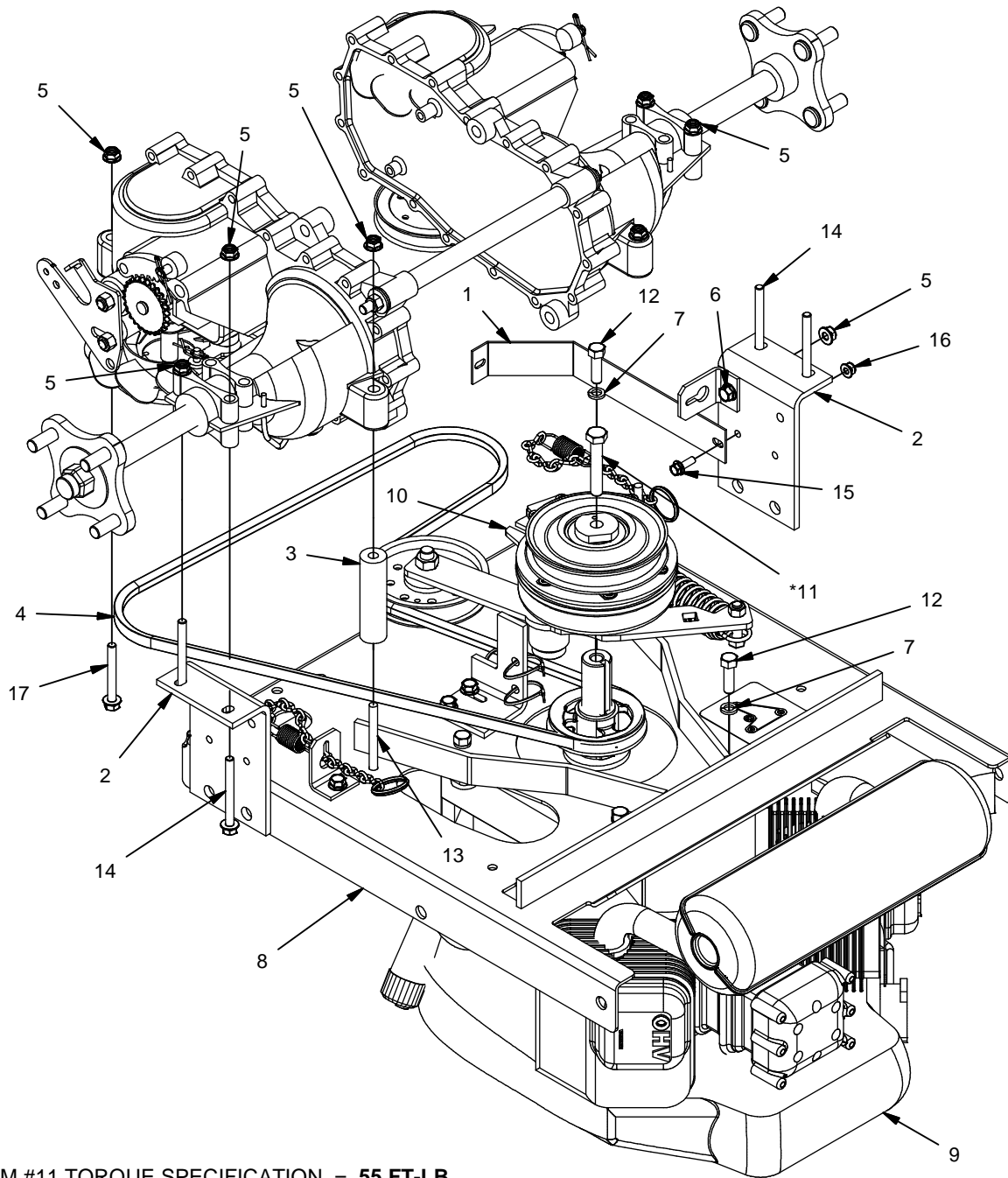
KOHLER 20HP SINGLE CYLINDER & TRANSAXLE ASSEMBLY



* ITEM #13 TORQUE SPECIFICATION = 55 FT-LB

Parts List			Parts List		
ITEM	PART NUMBER	DESCRIPTION	ITEM	PART NUMBER	DESCRIPTION
1	700-082W	WLDT, MOTOR MOUNT	10	M-5398	ENGINE. KOHLER 20HP SINGLE, SV600
2	707-061P	FAN SHROUD	11	F-2085	3/8-16 x 1-1/4" BOLT, SELF TAPPING
3	659-350P	HYDRO MOUNT BRACKET	12	F-2145	HHCS, 5/16-18 x 6", YZ, GR8
4	659-121P	SPACER, REAR HYDRO	*13	F-2113	Capscrew, 7/16-20x2-1/2", GR8, PLATED
5	E-6543	Clutch/Brake 1" Bore, 105 FT-LB	14	F-2178	FHCS, 5/16-18 x 3", YZ, GR5
6	D-3906	V-BELT: AP-63	15	F-2177	FHCS, 5/16-18 x 2-1/2", YZ, GR5
7	F-2063	Nut, 5/16-18 Nyloc, Flanged	16	F-2162	FHCS, 1/4-20 x 3/4", GR5, YZ
8	F-2120	FHCS, 5/16-18 x 0.75, YZ, GR5	17	F-2132	NUT, 1/4-20 NYLOC, FLANGED
9	F-1019-03	3/8" LOCKWASHER			

KAWASAKI 21.5HP TWIN CYLINDER & TRANSAXLE ASSEMBLY

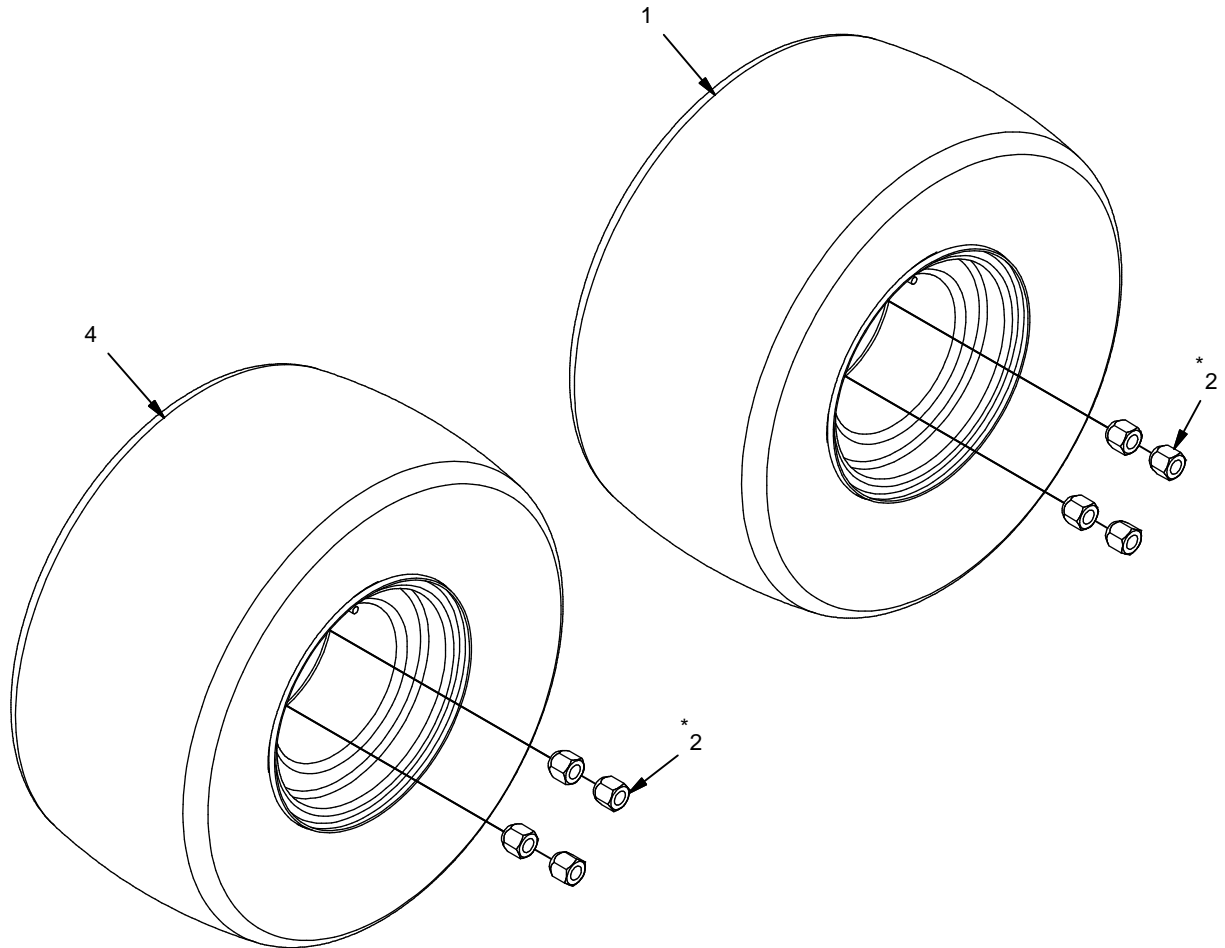


* ITEM #11 TORQUE SPECIFICATION = 55 FT-LB

Parts List			Parts List		
ITEM	PART NUMBER	DESCRIPTION	ITEM	PART NUMBER	DESCRIPTION
1	707-061P	FAN SHROUD	10	E-6317	Clutch/Brake 1" Bore
2	659-350P	HYDRO MOUNT BRACKET	*11	F-2113	Capscrew, 7/16-20x2-1/2", GR8, PLATED
3	659-121P	SPACER, REAR HYDRO	12	F-1307	3/8-16 x 1-1/4" Capscrew
4	D-3906	V-BELT: AP-63	13	F-2145	HHCS, 5/16-18 x 6", YZ, GR8
5	F-2063	Nut, 5/16-18 Nyloc, Flanged	14	F-2178	FHCS, 5/16-18 x 3", YZ, GR5
6	F-2120	FHCS, 5/16-18 x 0.75, YZ, GR5	15	F-2162	FHCS, 1/4-20 x 3/4", GR5, YZ
7	F-1019-03	3/8" LOCKWASHER	16	F-2132	NUT, 1/4-20 NYLOC, FLANGED
8	700-107W	WLDT, MOTOR MOUNT	17	F-2177	FHCS, 5/16-18 x 2-1/2", YZ, GR5
9	M-5393	ENGINE, KAW 21.5HP, FR651V TWIN			

REAR WHEEL ASSEMBLIES

USED ON KAWASAKI 21.5HP TWIN CYLINDER TRACTORS

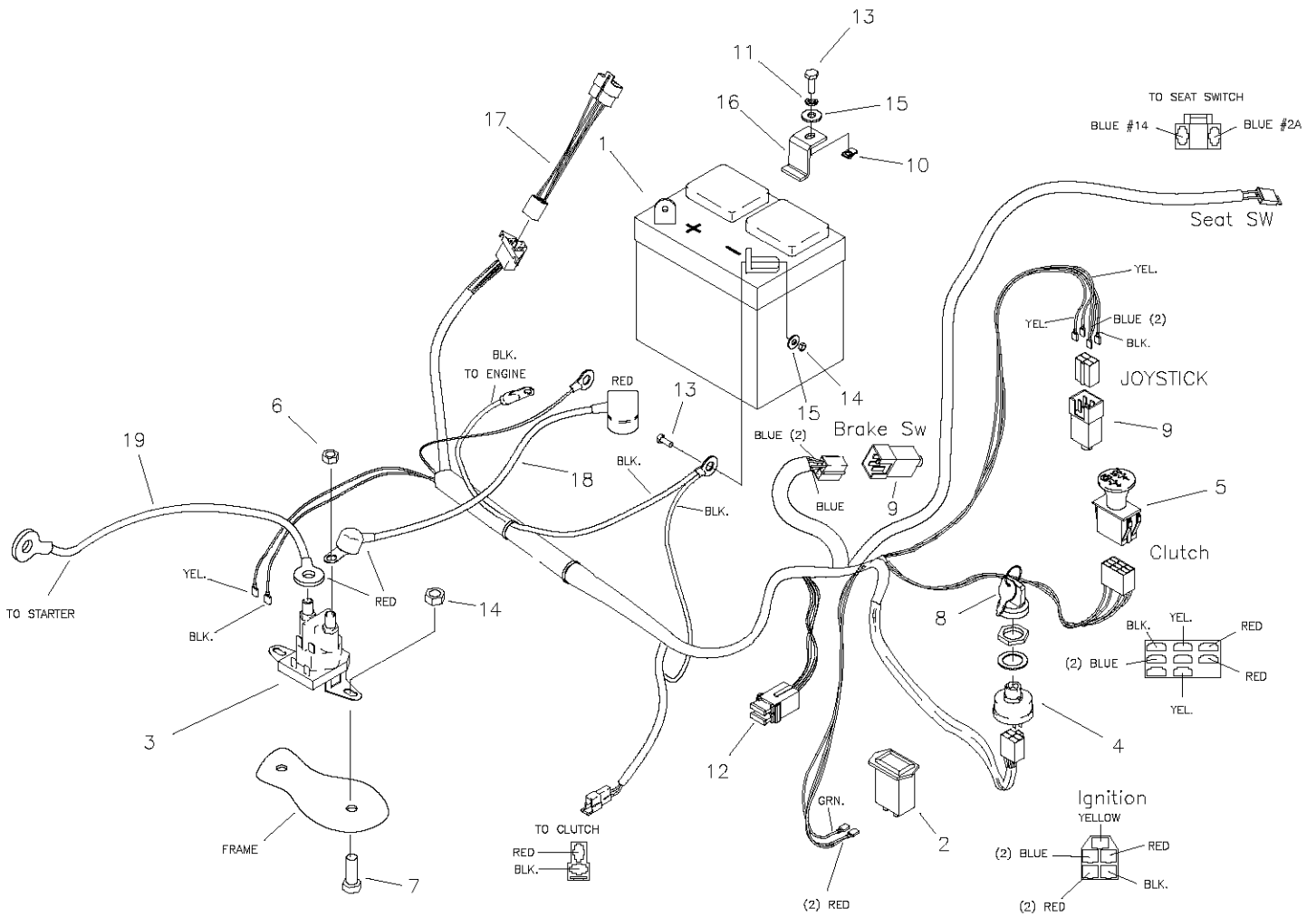


USED ON KOHLER 20HP SINGLE CYLINDER TRACTORS

* ITEM #2 TORQUE SPECIFICATION = 75 FT-LB

Parts List		
ITEM	PART NUMBER	DESCRIPTION
1	D-3870	ASSY, 18 X 9.50-8, TIRE & .91 OFF-SET RIM
2	F-1499	1/2-20 Lug Nut
3	D-3729	ASSY, 18 X 8.5-8 TIRE & RIM

WIRE HARNESS & BATTERY FOR KOHLER 20HP SINGLE CYLINDER JOYSTICK MODELS



*** ITEMS NOT SHOWN**

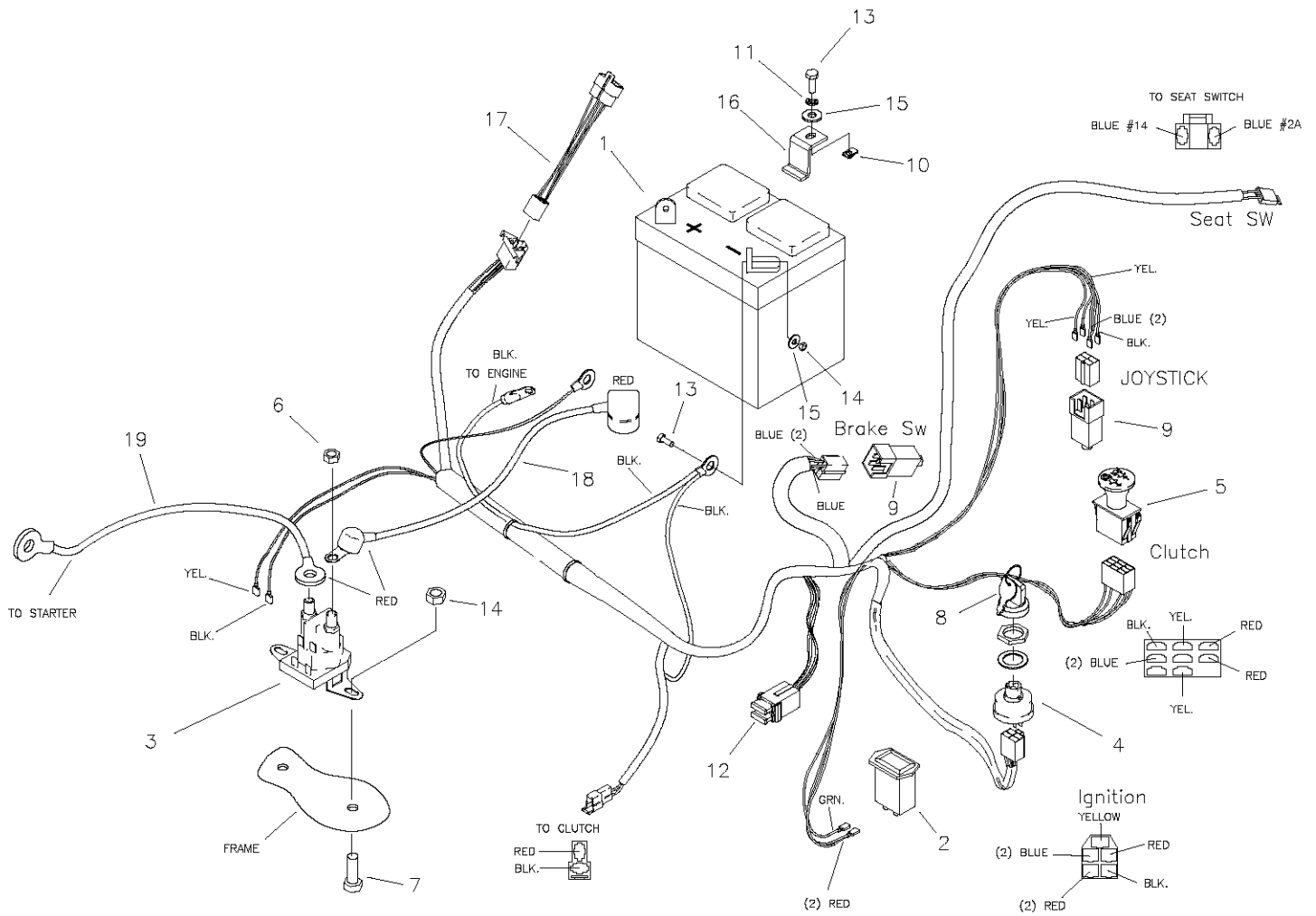
- E-6374 - SEAT SWITCH
- E-6281 - KEY SWITCH

*** QUICK REFERENCE**

- E-6415 - WIRE HARNESS
- E-6436 - WIRE HARNESS ADAPTER
- E-6418 - CABLE, BATTERY TO SOLENOID
- E-6419 - CABLE, SOLENOID TO ENGINE

Parts List			Parts List		
ITEM	PART NUMBER	DESCRIPTION	ITEM	PART NUMBER	DESCRIPTION
1	E-5812	BATTERY	11	F-1019-01	1/4 LOCK WASHER
2	E-5878	HOUR METER	12	E-6207	FUSE, #ATC-30
3	E-6054	SOLENOID	13	F-1538	1/4-20 X 3/4 CAP SCREW
4	E-5873	START SWITCH	14	F-1158	1/4-20 LOCK NUT
5	E-6403	CLUTCH SWITCH	15	F-1009-01	1/4 FLAT WASHER
6	F-1011-01	1/4-20 NUT	16	659-137P	BATTERY HOLD DOWN
7	F-1015-02	1/4-20 X 5/8 CAP SCREW	17	E-6436	WIRE HARNESS ADAPTER
8	E-6445	KEY, SET	18	E-6418	CABLE, BATTERY TO SOLENOID
9	E-6297	BRAKE SWITCH	19	E-6419	CABLE, SOLENOID TO ENGINE
10	F-1858	1/4-20 U-NUT			

WIRE HARNESS & BATTERY FOR KAWASAKI 21.5 TWIN CYLINDER JOYSTICK MODELS



*** ITEMS NOT SHOWN**

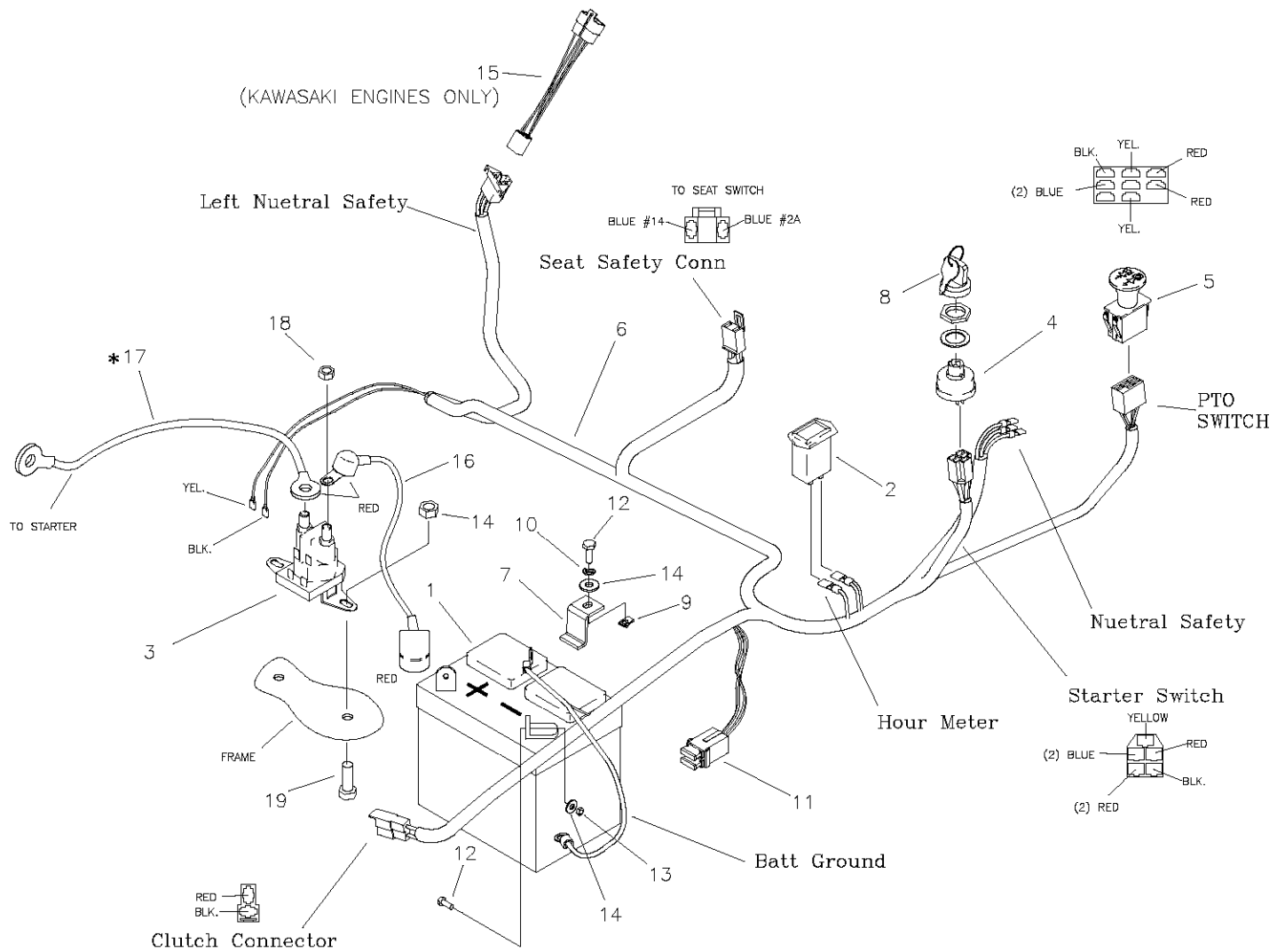
- E-6374 - SEAT SWITCH
- E-6281 - KEY SWITCH
- H-2287 - CHOKE CABLE

*** QUICK REFERENCE**

- E-6415 - WIRE HARNESS
- E-6417 - WIRE HARNESS ADAPTER
- E-6418 - CABLE, BATTERY TO SOLENOID
- E-6419 - CABLE, SOLENOID TO ENGINE

Parts List			Parts List		
ITEM	PART NUMBER	DESCRIPTION	ITEM	PART NUMBER	DESCRIPTION
1	E-5812	BATTERY	11	F-1019-01	1/4 LOCK WASHER
2	E-5878	HOUR METER	12	E-6207	FUSE, #ATC-30
3	E-6054	SOLENOID	13	F-1538	1/4-20 X 3/4 CAP SCREW
4	E-5873	START SWITCH	14	F-1158	1/4-20 LOCK NUT
5	E-6403	CLUTCH SWITCH	15	F-1009-01	1/4 FLAT WASHER
6	F-1011-01	1/4-20 NUT	16	659-137P	BATTERY HOLD DOWN
7	F-1015-02	1/4-20 X 5/8 CAP SCREW	17	E-6417	WIRE HARNESS ADAPTER
8	E-6445	KEY, SET	18	E-6418	CABLE, BATTERY TO SOLENOID
9	E-6297	BRAKE SWITCH	19	E-6419	CABLE, SOLENOID TO ENGINE
10	F-1858	1/4-20 U-NUT			

WIRE HARNESS & BATTERY FOR ALL WRANGLER TWIN STICK MODELS



*** ITEMS NOT SHOWN**

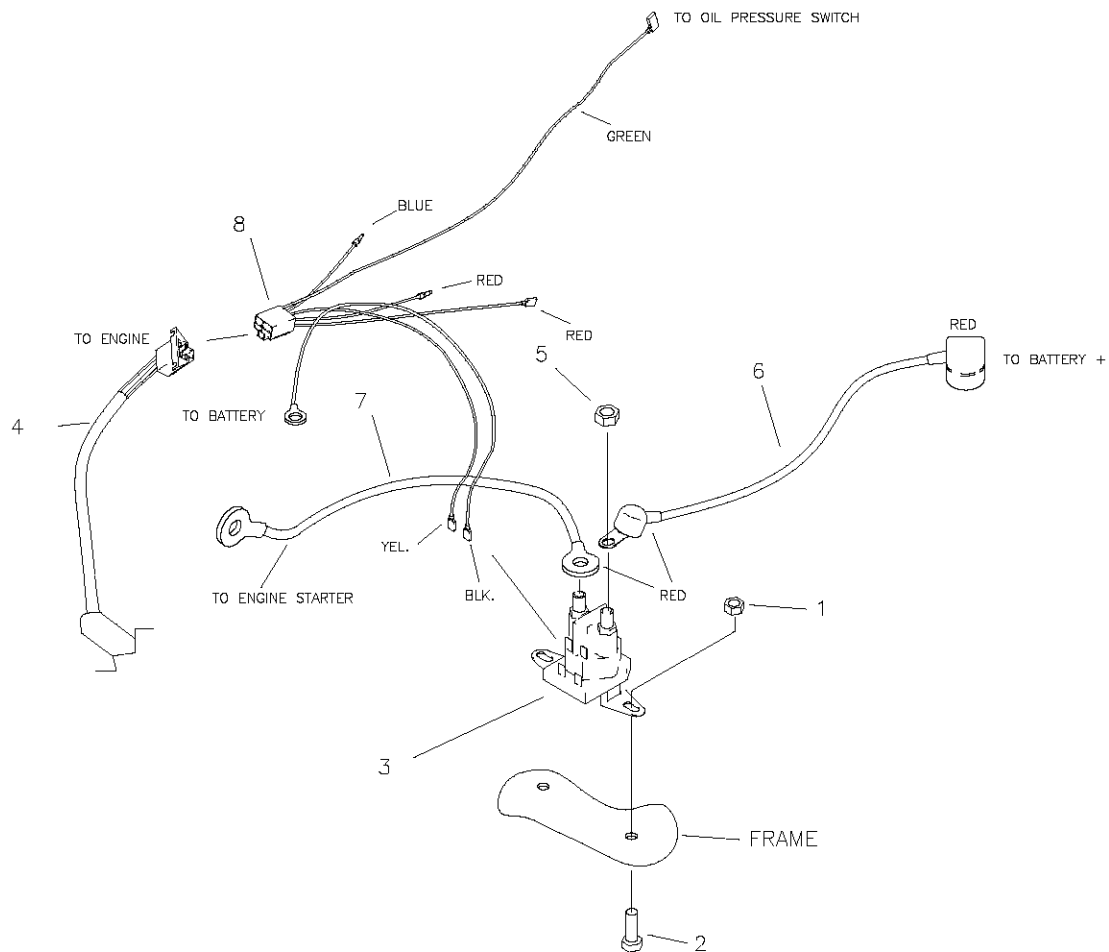
- E-6374 - SEAT SWITCH
- E-6281 - KEY SWITCH
- H-2287 - CHOKE CABLE

*** QUICK REFERENCE**

- E-6416 - WIRE HARNESS
- E-6417 - WIRE HARNESS ADAPTER
- E-6418 - CABLE, BATTERY TO SOLENOID
- E-6419 - CABLE, SOLENOID TO ENGINE

Parts List			Parts List		
ITEM	PART NUMBER	DESCRIPTION	ITEM	PART NUMBER	DESCRIPTION
1	E-5812	BATTERY	11	E-6207	FUSE, #ATC-30
2	E-5878	HOUR METER	12	F-1538	1/4-20 X 3/4 CAP SCREW
3	E-6054	SOLENOID	13	F-1158	1/4-20 LOCK NUT
4	E-5873	START SWITCH	14	F-1009-01	1/4 FLAT WASHER
5	E-6403	CLUTCH SWITCH	15	E-6417	KAWASAKI HARNESS ADAPTER
6	E-6416	WIRE HARNESS	16	E-6418	CABLE, BATTERY TO SOLENOID
7	659-137P	BATTERY HOLD DOWN	17	E-6419	CABLE, SOLENOID TO ENGINE
8	E-6445	KEY, SET	18	F-1011-01	1/4-20 U-NUT
9	F-1858	1/4 -20 U-NUT	19	F-1015-02	1/4-20 X 5/8 CAP SCREW
10	F-1019-01	1/4 LOCK WASHER			

WIRE HARNESS ADAPTER FOR KAWASAKI 21.5HP TWIN CYLINDER



Parts List

ITEM	PART NUMBER	DESCRIPTION
1	1158	1/4-20 LOCK NUT
2	F-1015-02	1/4-20 X 5/8 CAP SCREW
3	E-6054	SOLENOID
4	E-6415	WIRE HARNESS - JOYSTICK
-	E-6416	WIRE HARNESS - TWIN STICK
5	F-1011-01	1/4-20 NUT
6	E-6418	CABLE, BATTERY TO SOLENOID
7	E-6419	CABLE, SOLENOID TO ENGINE
8	E-6417	KAWASAKI HARNESS ADAPTER

