

Repair Parts Manual
for

COUNTRY
CLIPPER®

Zero Turn Radius Mower

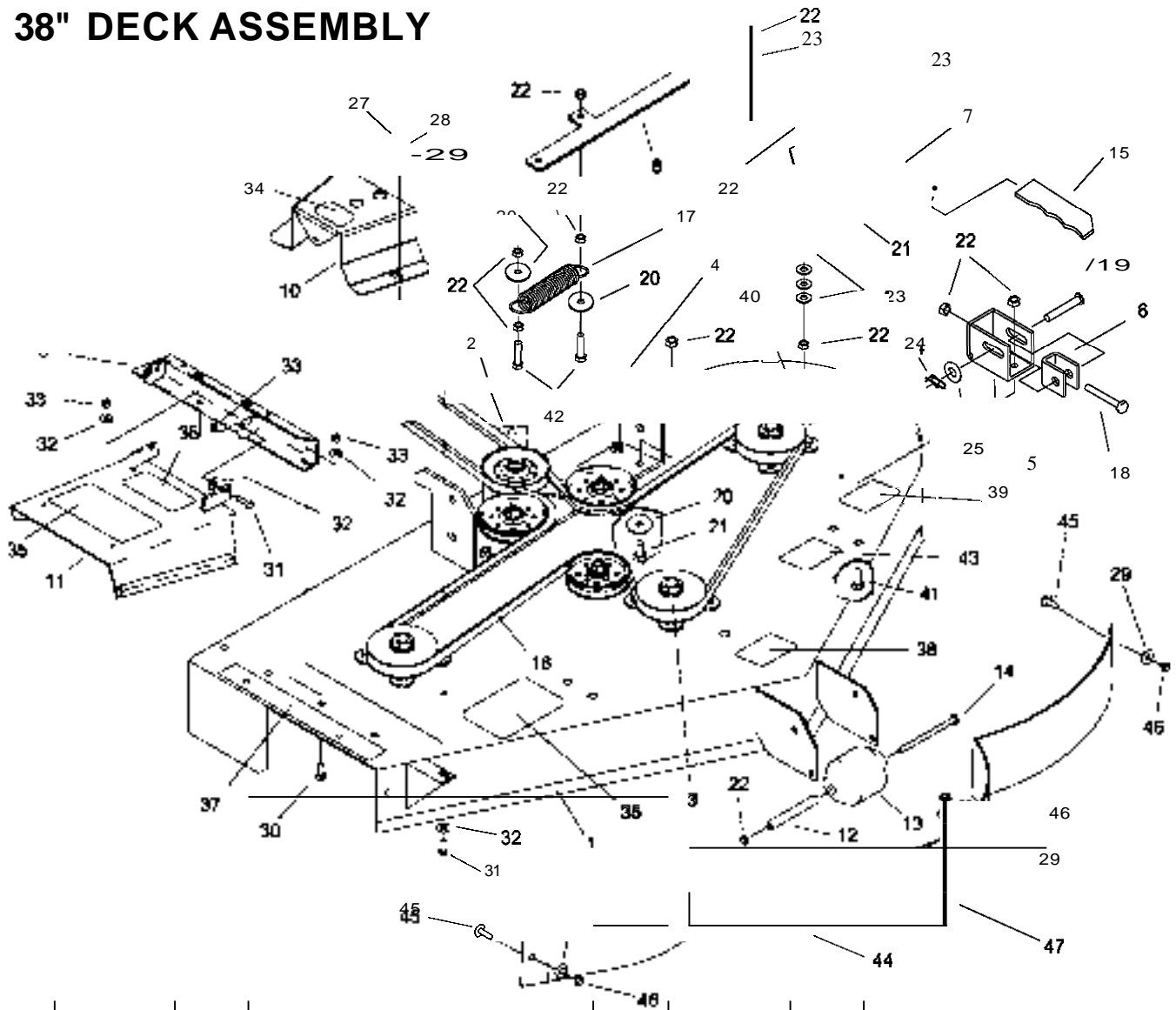
JAZZEE®
ONE
SR110

COUNTRY CLIPPER "JAZEE ONE" ZERO TURN RADIUS MOWER

TABLE OF CONTENTS

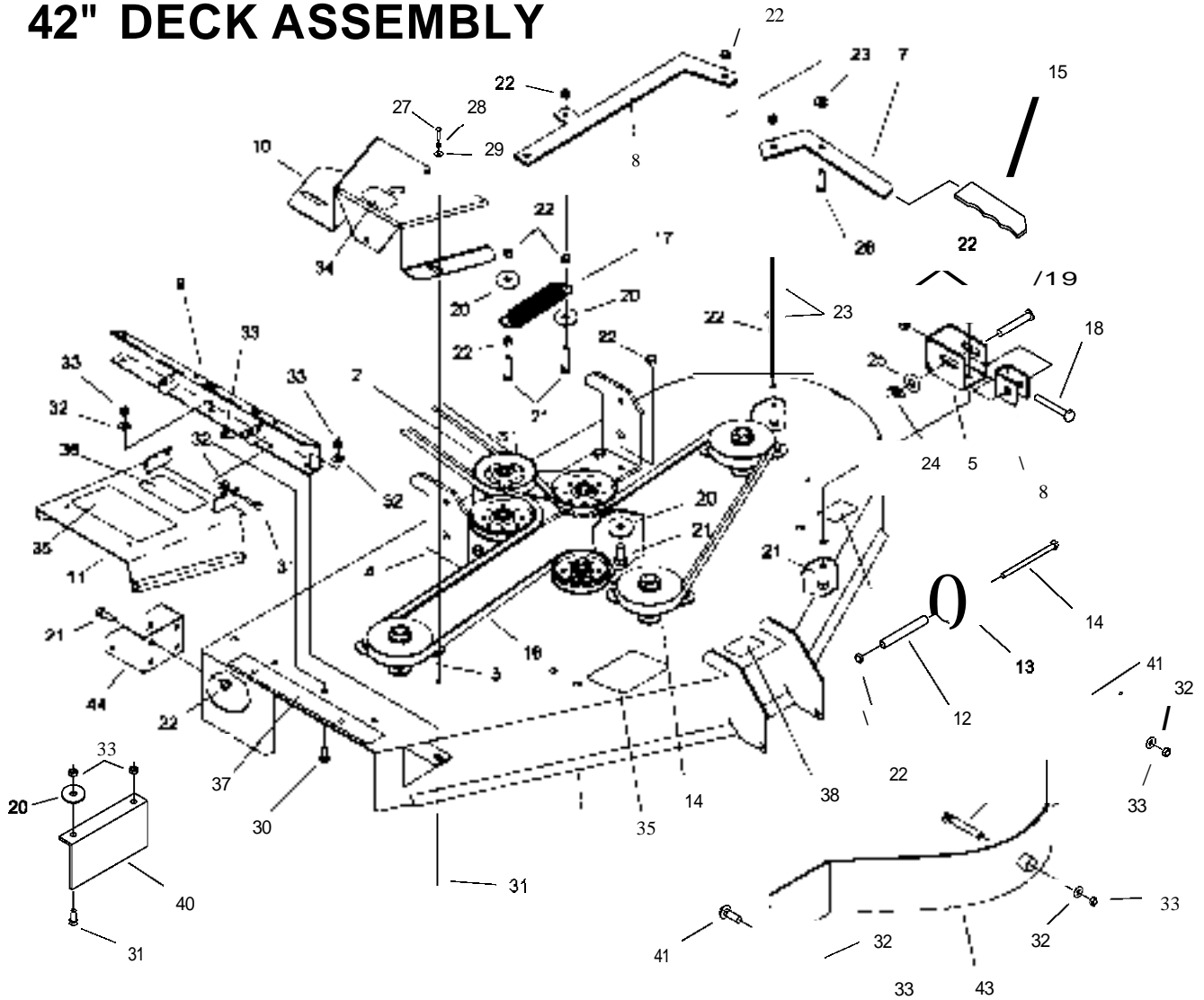
PAGE.	CONTENTS
1	38" DECK ASSEMBLY
2	.42" DECK ASSEMBLY
3	.DECK SPINDLE ASSEMBLY
4	.DECK IDLER PULLEYS
5	MOTOR ASSEMBLY
6	HYDRO IDLER PULLEYS
7	HYDRO ASSEMBLY
8	DECK LIFT
9	BRAKES
10	SHIFT CONTROLS
11	JOYSTICK STEERING & RELATED PARTS
12	FUEL TANK
13	FRAME & RELATED PARTS
14	.DECK MOUNTING ASSEMBLY
15	FRONT END
16	FRONT PANEL & FENDERS
17	SEAT AND RELATED PARTS
18	WIRE HARNESS

38" DECK ASSEMBLY



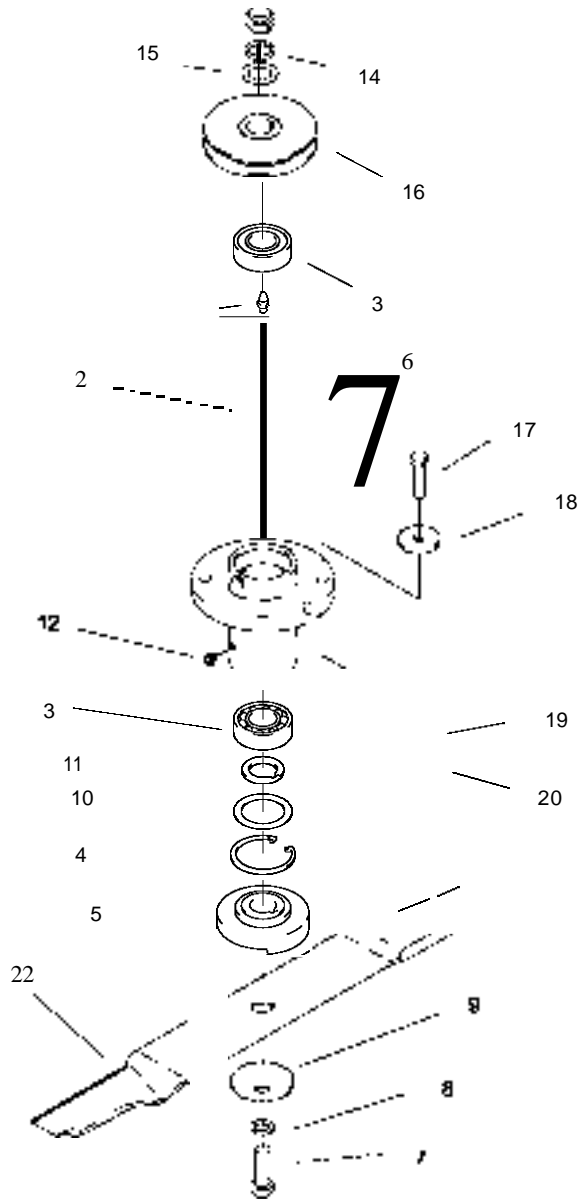
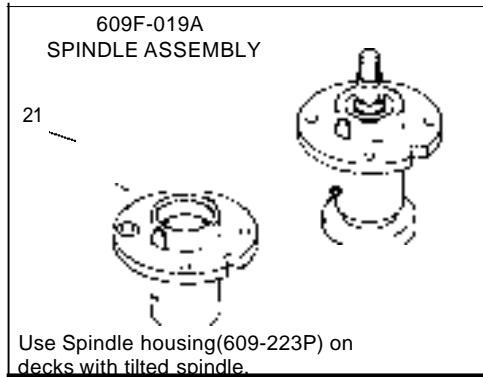
REF NO.	PART NO.	QTY.	DESCRIPTION	REF NO.	PART NO.	QTY.	DESCRIPTION
1	664D-003W	1	36" DECK WIDECAL (664D-002A)	25	F-1521	2	1/2" WASHER
2		1	SEE IDLER ARM ASSEMBLY, PAGE 4	26	F-1558	1	3/8-16 X 7/8" BOLT
3		3	SEE SPINDLE ASSEMBLY, PAGE 3	27	F-1015-03	4	1/4-20 X 3/4" BOLT
4	661-014P	1	REAR HANGER	26	F-1019-01	4	1/4" LOCK WASHER
5	661-016P	2	FRONT HANGER	29	F-1009-01	6	1/4" FLAT WASHER
6	661-015P	2	SHACKLE	30	F-1671	4	CARRIAGE BOLT, 5/16 X 3/4"
7	661-045P	1	BELT RELEASE HANDLE	31	F-1015-15	3	5/16-15 X 1" BOLT
6	661-046P	1	BELT RELEASE ARM	32	F-1009-02	7	5/16 FLAT WASHER
9	664-016W	1	OUTLET STIFFENER	33	F-1125	7	5/16 LOCK NUT
10	660-046P	2	PULLEY COVER (WIDECALS 660-051A)	34	P-10935	2	DECAL, "ROTATING DRIVE"
11	649-007W	1	CHUTE (W/ DECALS 649-054A)	35	P-10941	2	DECAL, "DANGER"
12	609-163P	3	WHEEL BUSHING	36	P-10937	1	DECAL, "WARNING"
13	H-1948	3	ROLLER, 3-3/4 X 4-13/16	37	P-10122	1	DECAL, "MISSING CHUTE"
14	F-1741	3	3/8-16 X 6" BOLT	36	P-11413	1	DECAL, "HOIST POINT"
15	H-1926	1	GRIP, PLASTIC	39	P-10947	1	DECAL, "GREASE"
16	D-3727-W	1	BELT, A-144 KEVLAR	40	F-1015-27	1	3/8-16 x 1-1/2" BOLT
17	H-2092	1	SPRING	41	F-1008-23	4	3/8-16 x 3/4" CARRIAGE BOLT
18	F-1015-27	2	3/8-16 X 1-1/2" BOLT	42	F-1307	2	3/8-16 x 1-1/4" BOLT
19	F-1898	2	CLEVIS PIN, 1/2 X 2-3/4" LONG	43	P-11933	1	DECAL, DECK BELT ROUTING
20	609-034P	6	WASHER	44	664-024W	1	36" BAFFLE WELDMENT
21	F-1394	4	3/8-16 X 1" BOLT	45	F-1823	2	1/4-20 x 3/4" CARRIAGE BOLT
22	F-1005-03	18	3/8-16 LOCK NUT	46	F-1158	3	1/4-20 STOVER NUT
23	F-1009-03	7	3/8" FLAT WASHER	47	F-1536	1	1/4-20 x 3/4" CAPSCREW
24	H-2239	2	RUE RING, 1/2"				

42" DECK ASSEMBLY



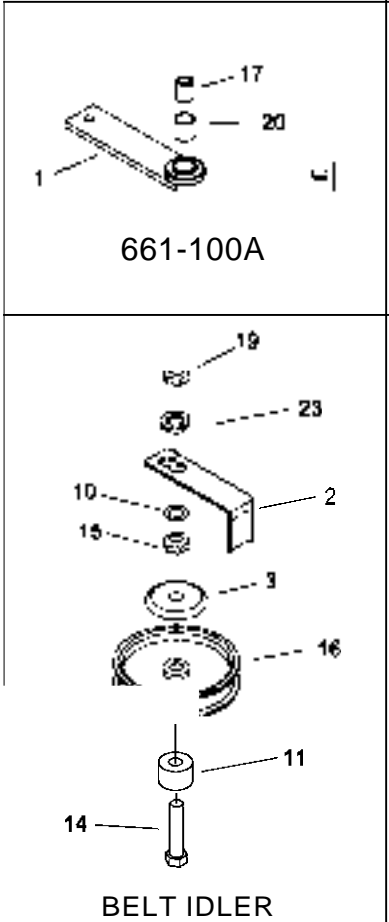
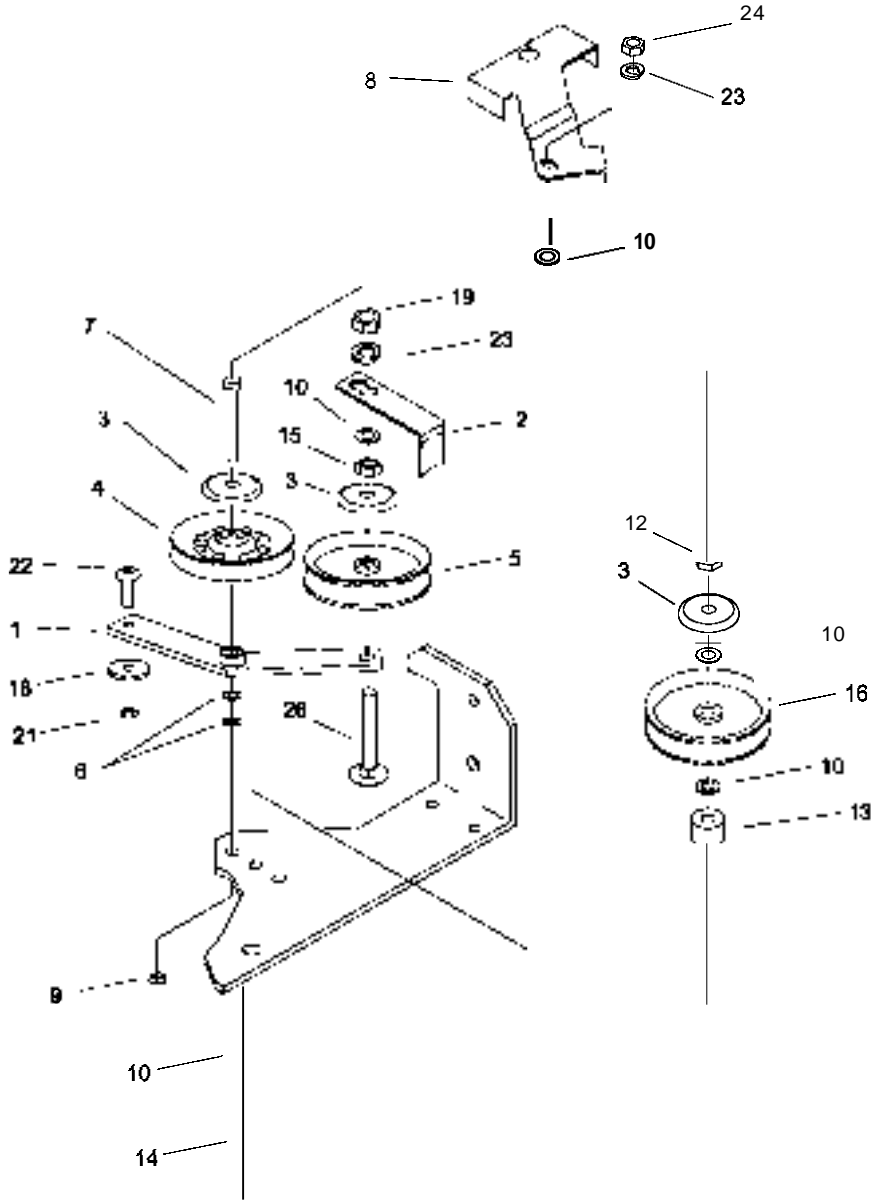
REF NO.	PART NO.	QTY.	DESCRIPTION	REF NO.	PART NO.	QTY.	DESCRIPTION
1	664-Q20A	1	42" DECK WIDECAL (664E.Q02A)	23	F-1009.Q3	4	3/8 FLAT WASHER
2		1	SEE IDLER ARM ASSEMBLY, PAGE 4	24	H-2239	2	RUE RING, 1/2"
3		3	SEE SPINDLE ASSEMBLY, PAGE 3	25	F-1521	2	1/2" WASHER
4	661-014P	1	REAR HANGER	26	F-1558	1	3/8-16 X 7/8" BOLT
5	661-016P	2	FRONT HANGER	27	F-1538	4	1/4-20 X 3/4" BOLT
6	661-015P	2	SHACKLE	28	F-1019.Q1	4	1/4" LOCK WASHER
7	661-045P	1	BELT RELEASE HANDLE	29	F-1009.Q1	4	1/4" FLAT WASHER
8	661-046P	1	BELT RELEASE ARM	30	F-1671	4	CARRIAGE BOLT, 5/16 X 3/4"
9	649-012W	1	OUTLET STIFFENER	31	F-1015-15	5	5/16-15 X 1" BOLT
10	660-052A	2	PULLEY COVER W/DECALS (660-047P)	32	F-1009.Q2	9	5/16 FLAT WASHER
11	649-054A	1	CHUTE W/ DECALS (649.Q07W)	33	F-1125	12	5/16 LOCK NUT
12	609-183P	3	WHEEL BUSHING	34	P-I0935	2	DECAL, "ROTATING DRIVE"
13	H-1948	3	ROLLER, 3-3/4 X 4-13/16	35	P-I0941	2	DECAL, "DANGER"
14	F-1741	3	3/8-16 X 6" BOLT	36	P-I0937	1	DECAL, "WARNING"
15	H-1926	1	GRIP, PLASTIC	37	P-I0122	1	DECAL, "MISSING CHUTE"
16	D-3733	1	BELT, A-158" KEVLAR	38	P-11413	1	DECAL, "HOIST POINT"
17	H-2092	1	SPRING	39	P-I0947	1	DECAL, "GREASE"
18	F-1015-27	2	3/8-16 X 1-1/2" BOLT	40	651-023P	1	AIR BAFFLE
19	F-1898	2	CLEVIS PIN, 1/2 X 2-3/4" LONG	41	F-1823	2	1/4-20 X 3/4" CARRIAGE BOLT
20	609.Q34P	7	WASHER	42	F-1935	1	1/4-20 X 1-1/2" CARRIAGE BOLT
21	F-1394	18	3/8-16 X 1" BOLT	43	651-022W	1	DUST BAFFLE
22	F-1005-03	28	3/6-16 LOCK NUT	44	609-182P	2	SCALPER BRACKET

DECK SPINDLE ASSEMBLY



REF NO.	PART NO.	QTY.	DESCRIPTION	REF NO.	PART NO.	QTY.	DESCRIPTION
1	660-045A	1	SPINDLE ASSEMBLY	16	609-266P	1	PULLEY, 1 GROOVE
2	H-1056	1	GREASE FITTING	17	F-1572	4	3/8-24 X 1-112" HHCS GR. 5
3	609-162P	1	SPINDLE SHAFT	18	609-034P	4	SPINDLE SPACER REINFORCEMENT
4	D-3058	2	BEARING, #6205-2RS	19	F-1019-03	4	3/8" LOCK WASHER
5	H-1893	1	SNAP RING INT. 52MM	20	F-1573	4	3/8-24 LOCKNUT, M-F
6	609-152P	1	BLADE SPACER	21	629-237P	2	10GAWASHER
7	D-1004-02	2	KEY, WOODRUF, 114 X 3/4	22	H-2423	1	BLADE, 13-3/4" HIGH L. CUT 38"
8	F-1526	1	112-13 X 1-112" HHCS GR. 5		H-1715	1	BLADE, 15" HIGH L. CUT 42"
9	F-1464	1	112" LOCK WASHER	OPTIONAL BLADES			
10	F-1507	1	WASHER, 112" CUPPED		H-2422		BLADE, 13-3/4" LOW L. CUT 38"
11	609-151P	1	WASHER, SEAL		H-2430		GATOR BLADE, 13-314" 38"
12	609-073P	1	ARBER SPACER		H-1665		BLADE, 15" LOW L. CUT 42"
13	H-2066	1	GREASE VENT 5 LBS.		H-2013		GATOR BLADE, 15" 42"
14	F-1461	1	3/4-16 NUT, HEX JAM				
15	F-1463	1	3/4" LOCK WASHER				
	F-1510	1	3/4" WASHER, FLAT STD.				

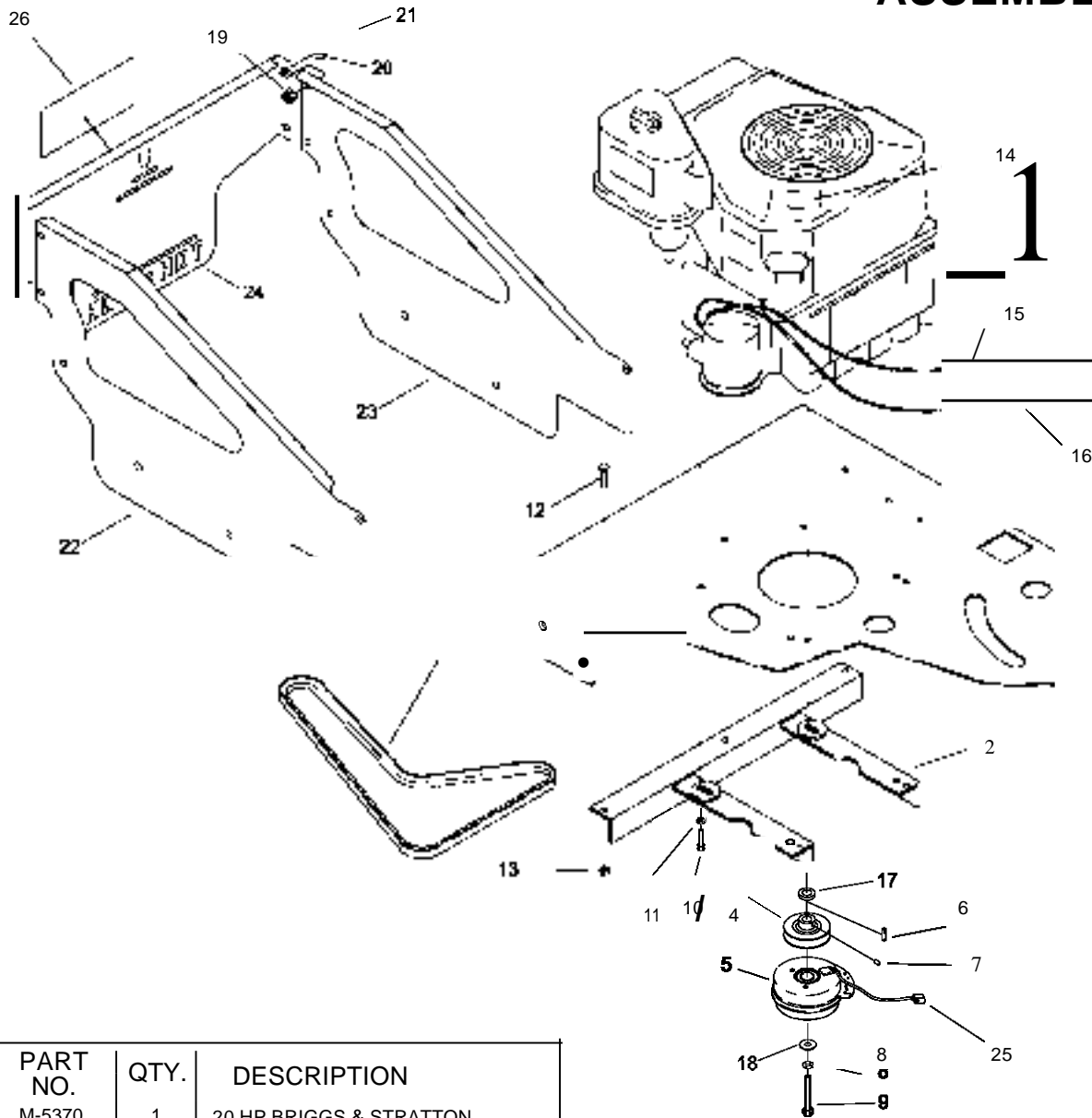
DECK IDLERS



REF NO.	PART NO.	QTY.	DESCRIPTION
1	661-100A	1	IDLER ARM
2	660-o84P	2	BELT KEEPER
3	620-201P	4	BEARING CAP
4	0-3758	1	V-IDLER PULLEY
5	0-3338	1	FLAT IDLER PULLEY
6	F-1009-03	2	3/8 FLAT WASHER
7	F-1015-30	1	3/8-16 X 2-1/2" BOLT
8	664-o26P	1	BELT CONTROL PLATE
9	F-1005-03	1	3/8-16 LOCK NUT
10	F-1521	6	1/2" FLAT WASHER, NARROW
11	660-o83P	1	SPACER
12	F-1005-o5	1	1/2-13 LOCK NUT
13	660-o37P	1	SPACER
14	F-2050	2	1/2-13 X 3-1/4" BOLT
15	F-1966	2	1/2-13 THIN NYLOC NUT
16	0-3774	2	5" IDLER PULLEY
17	659-024P	1	PIN

REF NO.	PART NO.	QTY.	DESCRIPTION
18	609-o34P	1	WASHER
19	F-1489	2	1/2-13 JAM NUT
20	0-3785	1	5/8" BORE BUSHING
21	F-1125	1	5/16-18 STOVER LOCK NUT
22	F-1879	1	5/16-18 x 1-1/4 CAPSCREW
23	F-1464	3	1/2" LOCK WASHER
24	F-1011-o5	1	1/2-13 NUT
25	F-1822	1	1/2-13 X 2-1/4 CARRIAGE BOLT

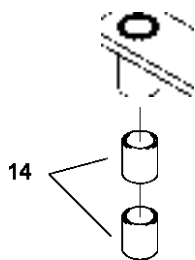
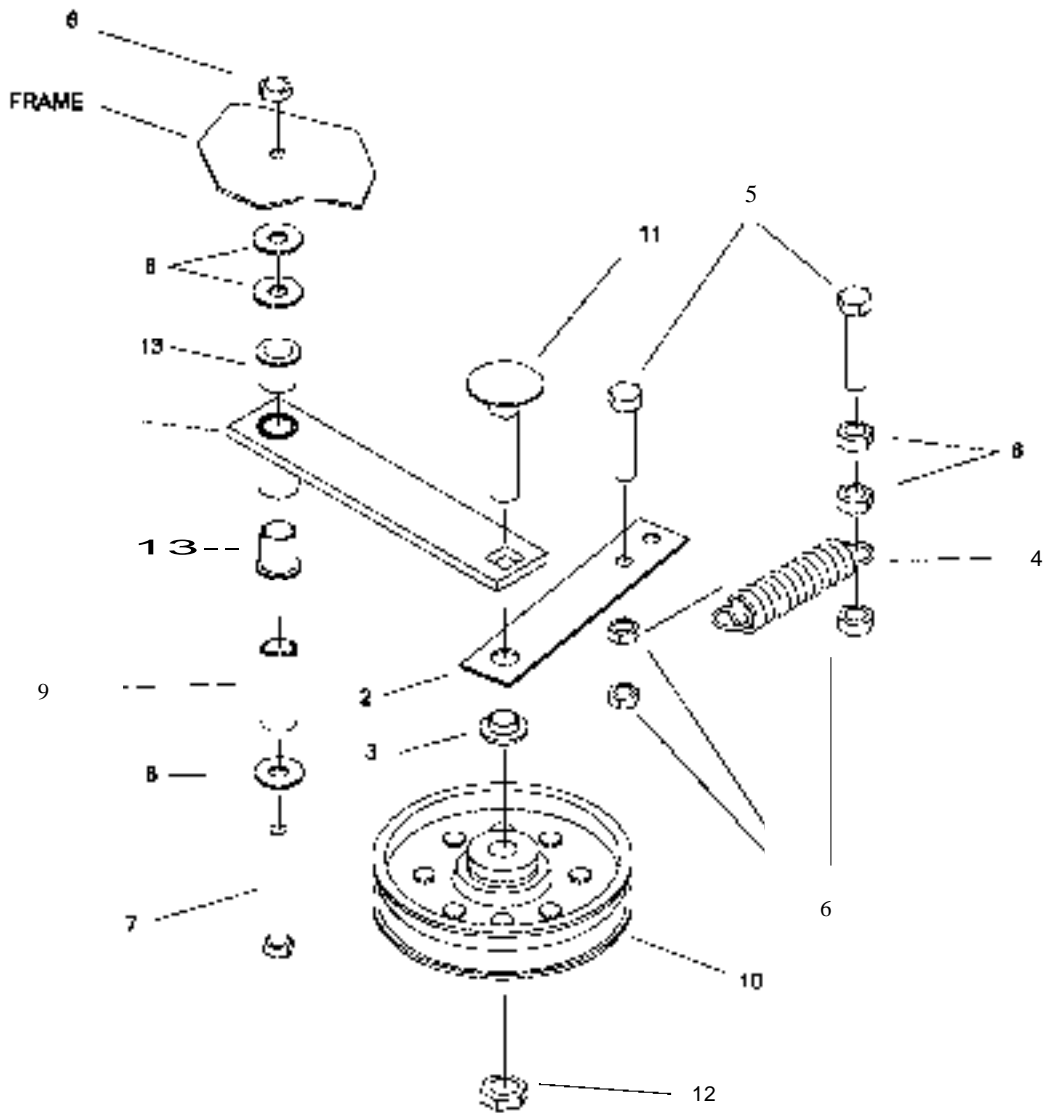
MOTOR ASSEMBLY



REF NO.	PART NO.	QTY.	DESCRIPTION
1	M-5370	1	20 HP BRIGGS & STRATTON
2	661-039W	1	MOTOR BRACE
3	0-3754	1	BELT, A-61 KEVLAR
4	0-3726	1	MOTOR PULLEY
5	E-6317	1	CLUTCH
6	621-113P	1	KEY
7	F-1228	1	SETSCREW
8	F-1019-o4	1	7/16" LOCK WASHER
9	F-1904	1	7/16-20 x 2-112" BOLT
10	F-1015-19	4	5/16-18 x 2" BOLT
11	F-1009-o2	4	5/16" FLAT WASHER
12	F-1015-15	3	5/16-18 x 1" BOLT
13	F-1125	7	5/16" LOCK NUT
14	P-10077-11	1	"CLEAN DEBRIS" DECAL
15	H-2403	1	CHOKE CABLE
16	H-2402	1	THROTTLE CABLE
17	606-303P	1	1" x 10 GA. WASHER
18	806-347P	1	15/32" 1.0. WASHER
19	F-1005-o3	4	3/8-16 STOVER NUT

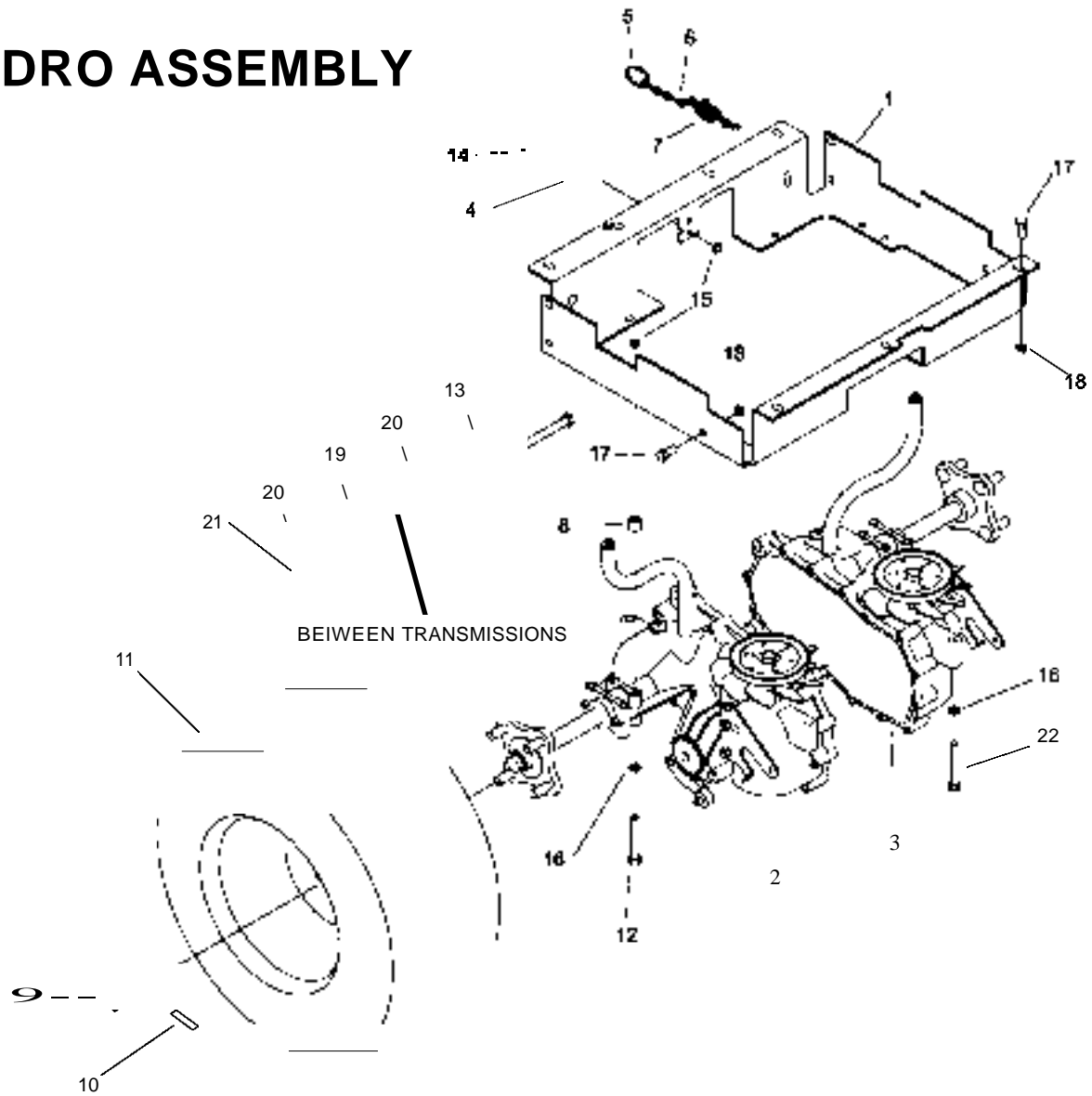
REF NO.	PART NO.	QTY.	DESCRIPTION
20	F-1009-03	4	3/8" FLAT WASHER
21	F-1558	4	3/8-16 x 7/8" BOLT
22	661-085P	1	ENGINE GUARD RH SIDE PANEL
23	881-086P	1	ENGINE GUARD LH SIDE PANEL
24	659-135P	1	ENGINE GUARD REAR PANEL
25	E-6459	1	CLUTCH PIGTAIL
26	P-12097	1	COUNTRY CLIPPER DECAL

HYDRO IDLER



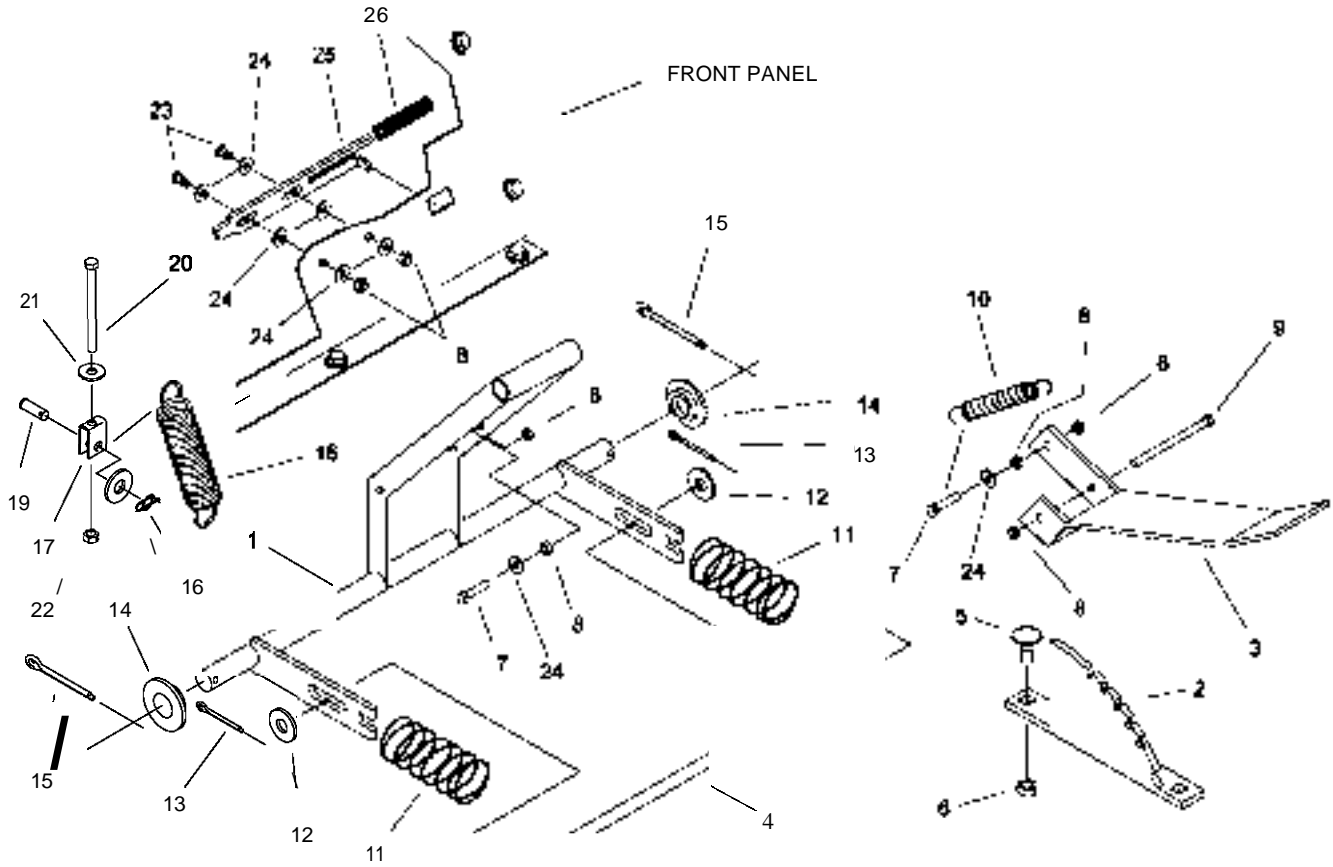
REF NO.	PART NO.	QTY.	DESCRIPTION
1	661-Q90A	1	10LERARM
2	622-047P	1	SPRING EXTENSION
3	622-048P	1	STAND
4	H-2092	1	SPRING
5	F-1879	2	5/16-18 X 1-114" BOLT
6	F-1125	6	5/16-18 LOCK NUT
7	F-1820	1	5/16-18 X 2-114" BOLT
8	F-1009-Q2	3	5/16 FLAT WASHER
9	621-103P	1	PIN
10	0-3617	1	FLAT IDLER
11	F-1965	1	112-13 X 1-112" CARRIAGE BOLT
12	F-1966	1	112" THIN NUT, NYLOC
13	0-3730	2	5/8" BORE BUSHING
14	0-3573	2	DXFBUSHING

HYDRO ASSEMBLY



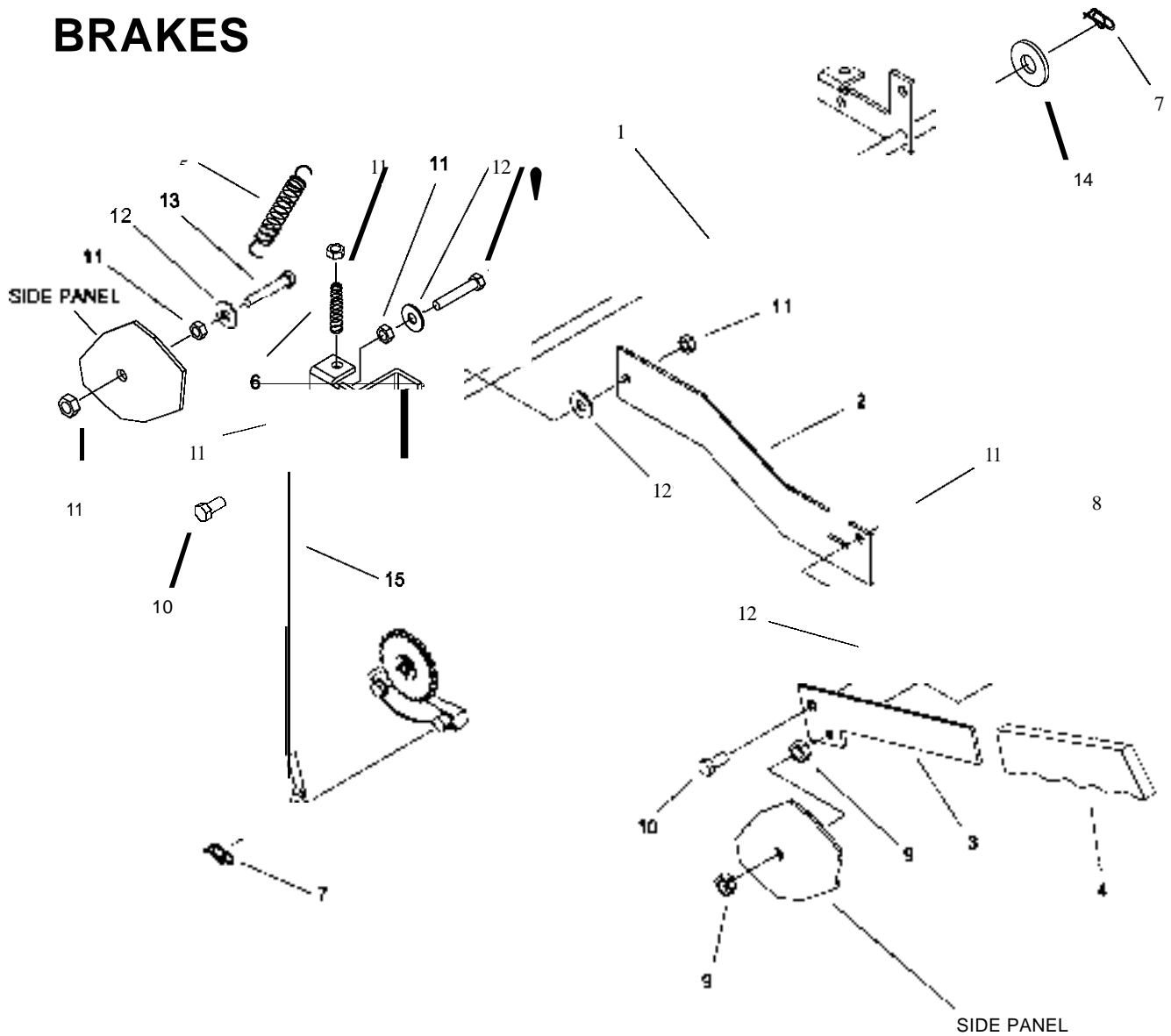
REF NO.	PART NO.	QTY.	DESCRIPTION	REF NO.	PART NO.	QTY.	DESCRIPTION
1	661-003P	1	HYDRO MOUNT	21	F-1011-04	3	7/16-14 NUT
2	0-3783-01	1	TRANSMISSION RH	22	F-1820	4	5/16-18 x 2-114" BOLT
3	0-3783-02	1	TRANSMISSION LH				
4	661-072W	1	CLUTCH STOP WELDMENT				
5	H-2345	2	RING				
6	661-066P	2	CHAIN				
7	H-1319	2	SPRING				
8	H-2428	4	SPACER				
9	F-1499	8	LUG NUT				
10	P-11384	2	DECAL, TIRE PRESSURE				
11	0-3729	2	WHEELJTIRE, 18 X 8.5 X 8 (42" DECK)				
	0-3761	2	WHEELJTIRE, 18 X 6.5 X 8 (38" DECK)				
12	F-1950	4	5/16-18 X 3-1/4" BOLT				
13	F-2025	1	7/16-14 X 8-1/2" BOLT				
	F-2033	2	7/16-14 X 9-1/2" BOLT				
14	F-1546	2	5/16-18 X 314" BOLT				
15	F-1125	10	5/18-18 LOCK NUT				
16	F-1009-02	8	5/16 LOCK WASHER				
17	F-1558	11	319-16 X 7/8" BOLT				
18	F-1005-03	11	3/8-16 LOCKNUT				
19	661-025P	3	HYDRO BRACE				
20	F-1019-04	6	7/18-14 LOCK WASHER				

DECK LIFT



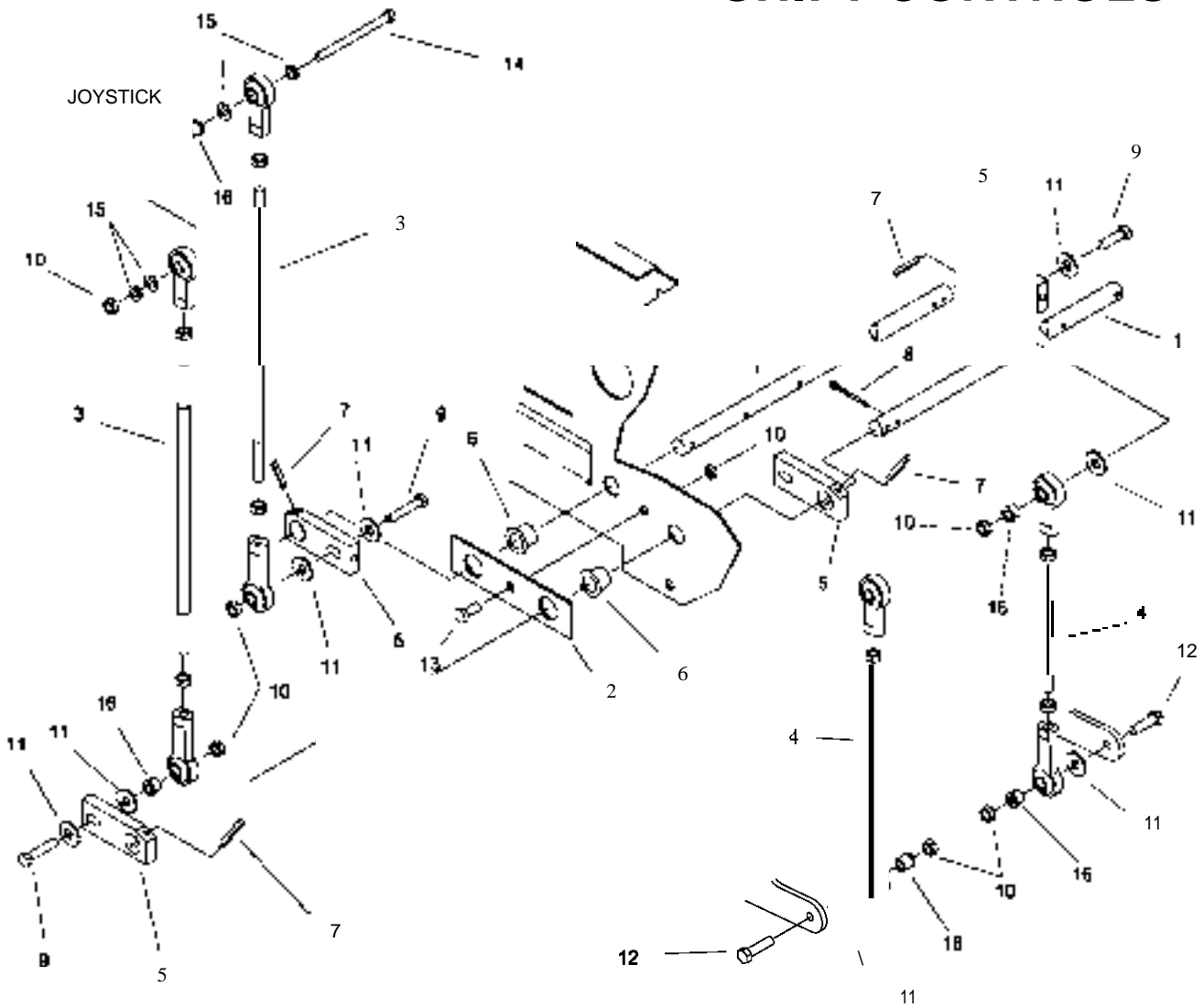
REF NO.	PART NO.	QTY.	DESCRIPTION	REF NO.	PART NO.	QTY.	DESCRIPTION
1	661-o13W	1	DECK LIFT ARM	15	F-1728	2	COITER PIN, 3116 X 2"
2	661-o09P	1	DECK ADJUSTMENT PLATE	16	H-21 00	2	SPRING, DECK LIFT
3	661-008P	1	DECK LIFT LATCH	17	647-030P	2	YOKE
4	661-012P	1	DECK LIFT ROD	18	F-1492	2	RUE RING, 5/16"
5	F-1274	2	318-16 X 1" CARRIAGE BOLT	19	F-1444	2	CLEVIS PIN, 318 X 1-5116"
6	F-1005-03	2	318 LOCKNUT	20	F-1682	2	5/16-18 X 4'
7	F-1864	2	1/4 X 1-3/4" BOLT	21	F-1009-02	2	5/16" FLAT WASHER
8	F-1158	6	1/4-20 LOCK NUT	22	F-1125	2	5/16" LOCK NUT
9	F-1020-07	1	1/4-20 X 4" BOLT	23	F-1916	2	SHOULDER BOLT, 5/16 X 3/8"
10	H-2417	1	EXTENSION SPRING	24	F-1009-01	8	1/4" FLAT WASHER
11	H-2425	2	SPRING. 1.637 00 X 5"	25	661-032P	1	SAFETY BAR
12	F-1521	2	112" WASHER. NARROW	26	H-2426	1	SPRING
13	H-1376	2	COITER PIN, 1/8 X 1-112"				
14	H-2414	2	PLASTIC BUSHING				

BRAKES



REF NO.	PART NO.	QTY.	DESCRIPTION
1	661-o23W	1	BRAKE ROD WLDT.
2	661-o20P	1	BRAKE IOCK
3	661-021P	1	BRAKE HANDLE
4	H-1926	1	PLASTIC GRIP
5	H-2417	1	EXTENSION SPRING
6	H-1637	2	COMPRESSION SPRING
7	F-1492	2	RUE RING, 3/8"
8	F-1015-17	1	5/16-18 X 1-1/2" BOLT
9	F-1125	2	5/16-18 IOCK NUT
10	F-1015-02	2	1/4-20 X 3/4" BOLT
11	F-1158	12	1/4-20 IOCK NUT
12	F-1009-01	4	1/4" FLAT WASHER
13	F-1539	2	1/4-20 X 1-1/4" BOLT
14	F-1009-03	2	3/8" FLAT WASHER
15	H-2452	2	BENT BRAKE LINK BAR

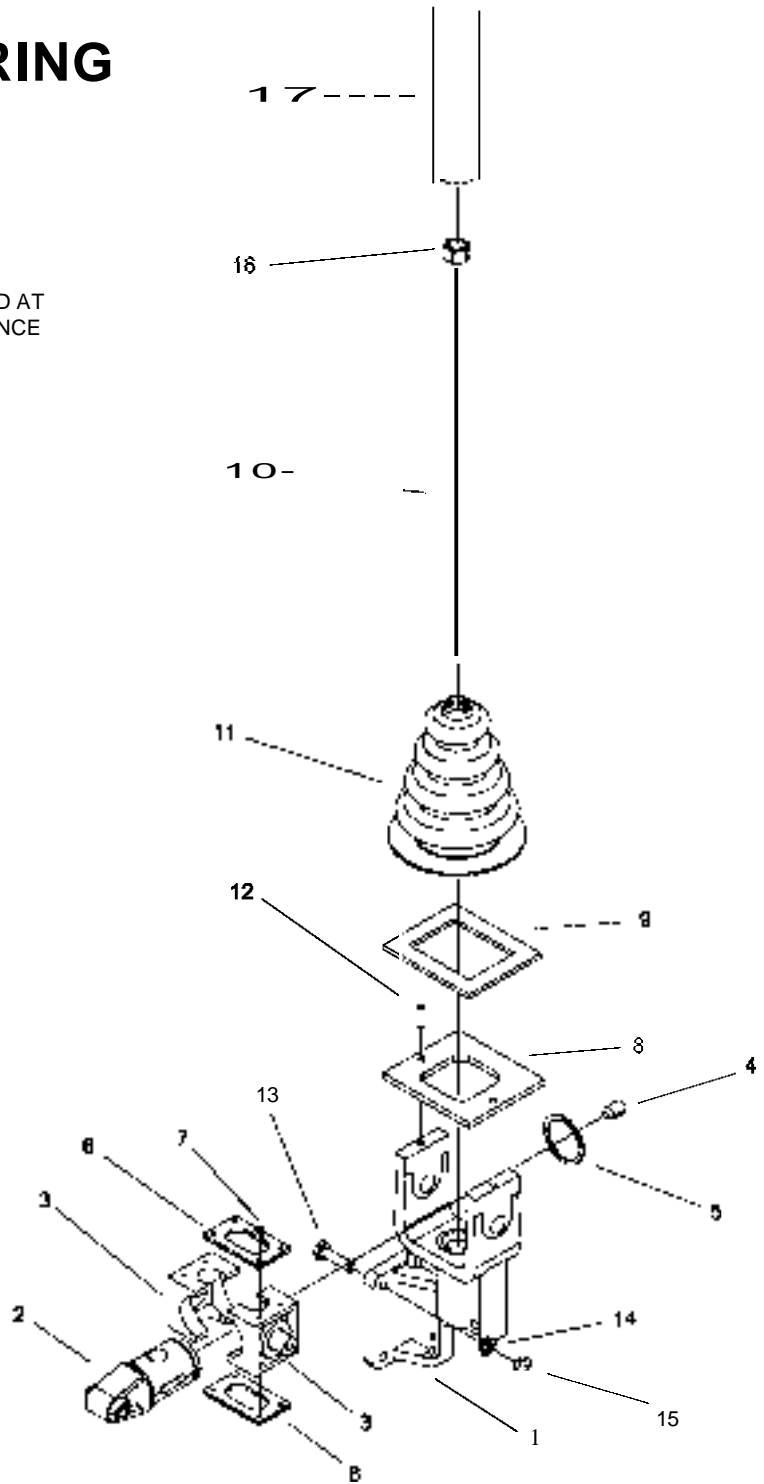
SHIFT CONTROLS



REF NO.	PART NO.	QTY.	DESCRIPTION
1	661-Q28P	2	SHIFT ROD
2	661-Q29P	2	RETAINER PLATE
3	659-113P	2	LINK ROD
4	659-127P	2	SHORT LINK ROD
5	625-030P	4	SWIVEL ARM
6	0-3730	4	BUSHING
7	F-1503	4	ROLL PIN
8	F-1376	4	COTTER PIN
9	F-1710	4	1/4-20 X 1-11/2" BOLT
10	F-1158	9	1/4-20 LOCK NUT
11	F-1009-01	10	1/4" FLAT WASHER
12	F-1538	2	1/4-20 X 3/4" BOLT
13	F-1015-Q2	2	1/4-20 X 5/8" BOLT
14	F-1765	1	1/4-20 x 3" BOLT
15	H-1989	6	BUSHING, BALL JOINT
16	H-2465	4	3/8 x 1/4 ADAPTER

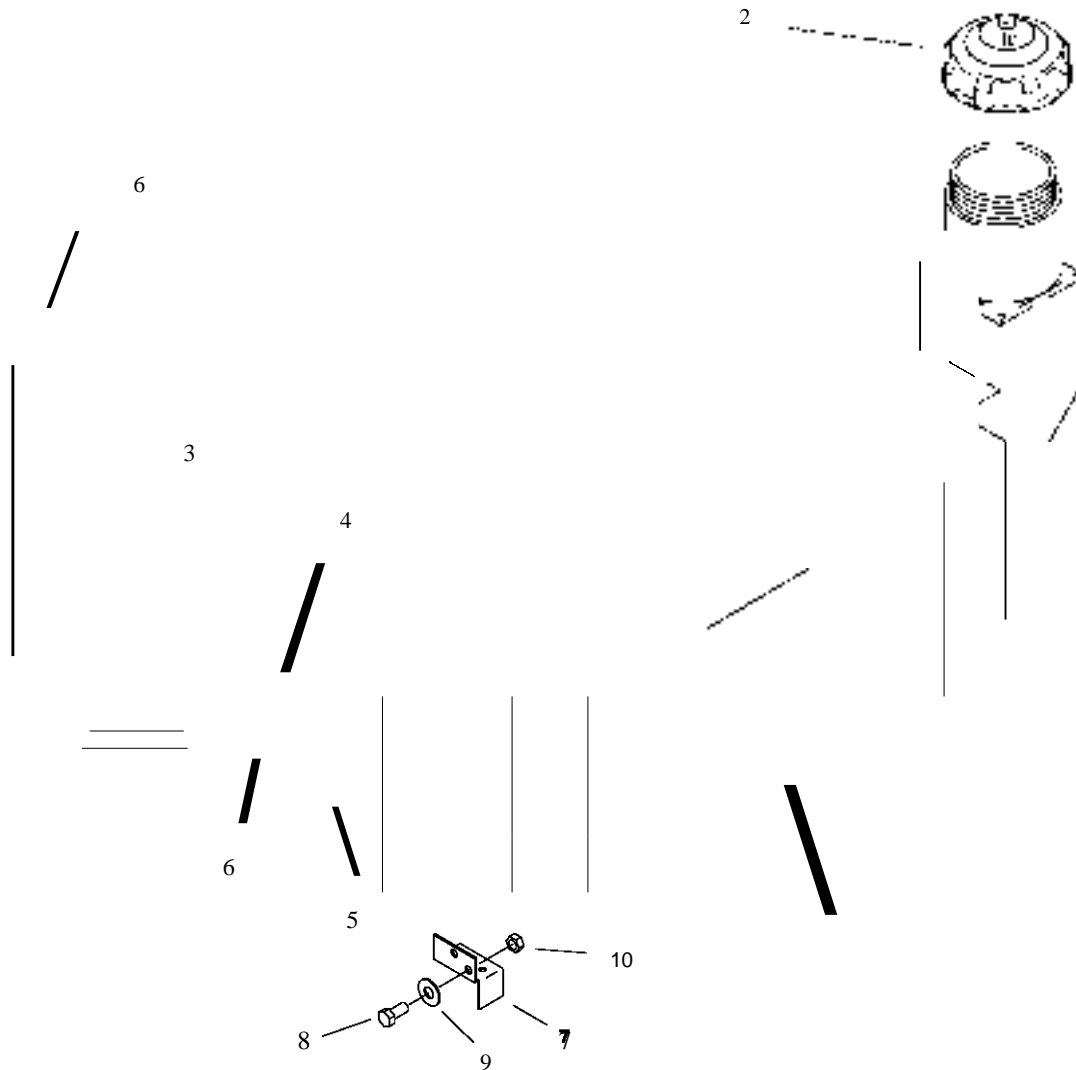
JOYSTICK STEERING CONTROL AND RELATED PARTS

NOTE: ITEMS #2 AND #3 MUST BE REPLACED AT THE SAME TIME FOR MAXIMUM PERFORMANCE



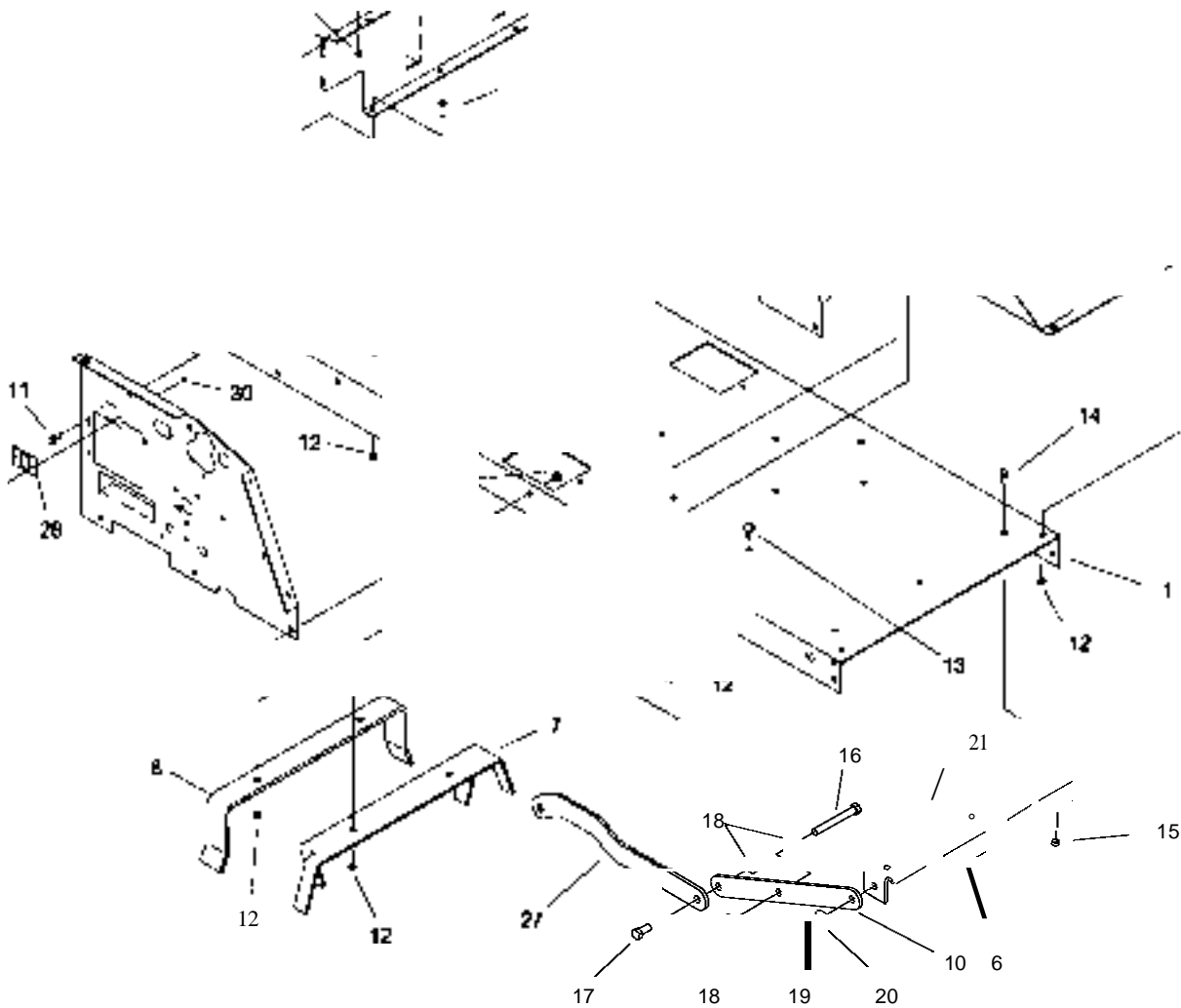
REF NO.	PART NO.	QTY.	DESCRIPTION	REF NO.	PART NO.	QTY.	DESCRIPTION
	647-122A	1	JOYSTICK ASSEMBLY	9	H-1947	1	GASKET, FOAM
1	659-144P	1	JOYSTICK YOKE	10	621-140A	1	JOYSTICK SHAFT ASSEMBLY
2	H-1992	1	PIVOT SHAFT	11	H-1991	1	BOOT, BELLOWS
3	H-1993	2	PIVOT BLOCK	12	F-1999	2	ROLL PIN, 3/16 X 5/8
4	F-1120	1	BALL PLUNGER	13	F-1015.Q5	3	1/4-20 XI" HHCS GR. 5
5	H-1997	1	SNAP RING, SPIRLOCK	14	F-1019.Q1	3	1/4" LOCK WASHER
6	619-306P	2	PIVOT BLOCK PLATE	15	F-1158	4	1/4-20 LOCK NUT
7	F-1624	8	#6-32 X 3/8" SCREW SLOT	16	F-1011-03	1	3/8-16 NUT, JAM
8	659-129P	1	JOYSTICK TOP PLATE	17	H-2317	1	GRIP, HANDLE

FUEL TANK



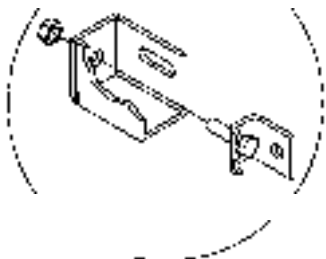
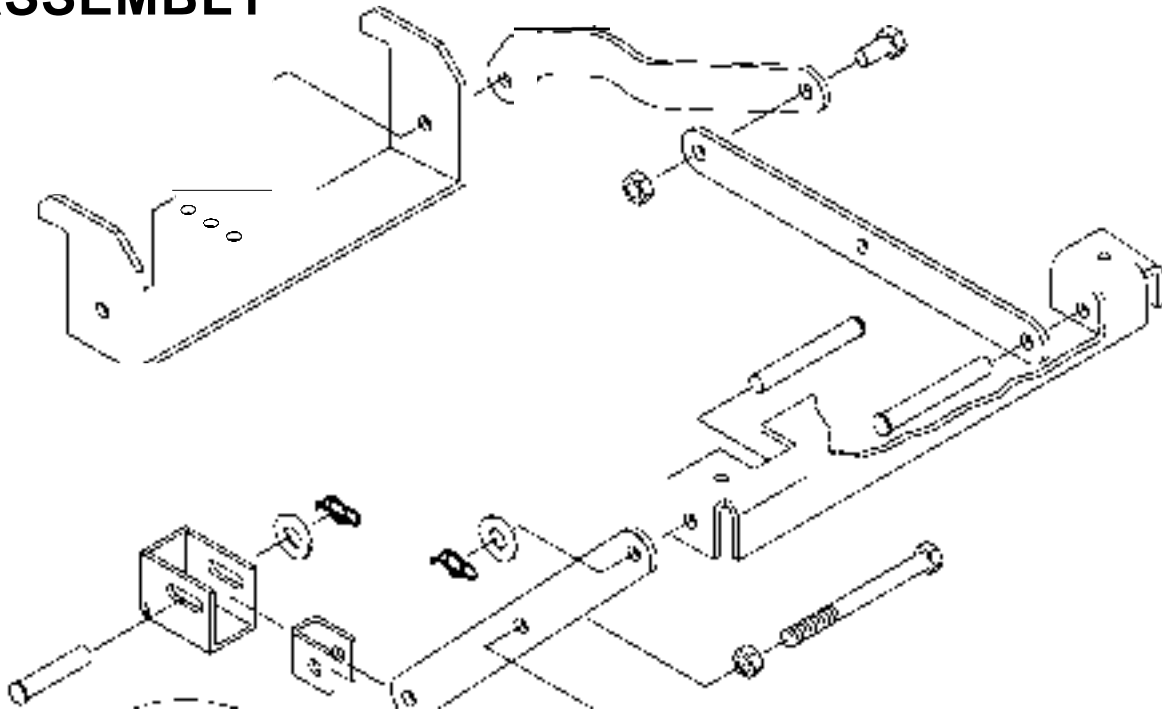
REF NO.	PART NO.	QTY.	DESCRIPTION
1	H-2407	1	FUEL TANK
2	H-2232	1	FUEL CAP
3	H-1648	1	FUEL LINE, 34"
4	H-1646	1	HOSE BARB, 90"
5	H-1952	1	HOSE CLAMP
6	H-1687	2	HOSE CLAMP
7	659-066P	1	CLAMP
8	F-1546	1	5/16-18 X 3/4" BOLT
9	F-1009-02	1	5/16 FLAT WASHER
10	F-1125	1	LOCKNUT

FRAME AND RELATED PARTS



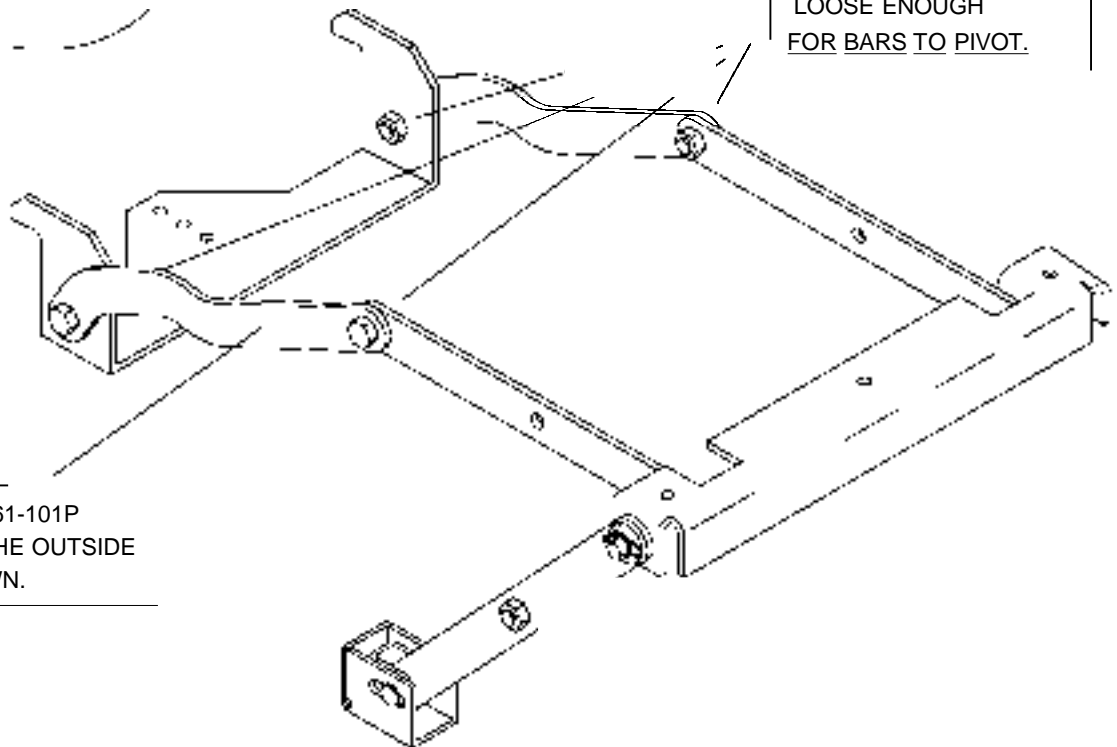
REF NO.	PART NO.	QTY.	DESCRIPTION	REF NO.	PART NO.	QTY.	DESCRIPTION
1	661-002P	1	FRAME	17	F-1366	2	1/2-13 X 1-1/4" BOLT
2	661-082P	1	SEAT SUPPORT	18	F-1005-05	6	1/2-13 LOCK NUT
3	661-004P	1	SIDE PANEL, LH	19	H-2239	2	RUE RING, 1/2"
4	661-005P	1	SIDE PANEL, RH	20	F-1521	2	1/2"WASHER,NARROW
5	P-11787	1	DECAL, JAZEE ONE	21	F-1890	2	CLEVIS PIN, 1/2 X 3-1/2"
6	661-018P	1	PIVOT PLATE	22	H-1920	3	SPRING, SEAT
7	661-019P	1	DRAG BAR LOCATOR	23	620-050P	3	WASHER
8	661-035P	1	REAR BAR LOCATOR	24	F-1538	3	1/4-20 X 3/4" BOLT
9	661-062W	1	FOOT DECK (W/ DECALS 661-083A)	25	F-1158	3	1/4-20 LOCK NUT
10	661-017P	4	DRAG BAR	26	F-1866	1	U-NUT,5/16-18
11	F-1546	9	5/16-18 X 3/4" BOLT	27	661-101P	2	OFFSET DRAG BAR
12	F-1125	15	5/16 LOCK NUT	28	661-087P	1	FUSE MOUNT PLATE
13	F-1671	6	5/16-18 X 3/4" CARRIAGE BOLT	29	F-1054	2	#6-32 X 5/8 MACHINE SCREW
14	F-1558	11	3/8-16 X 7/8" BOLT	30	F-1535	2	#6-32 NYLOC NUT
15	F-1005-03	11	3/8 LOCKNUT				
16	F-1251	2	1/2-13X4" BOLT				

DECK MOUNTING ASSEMBLY



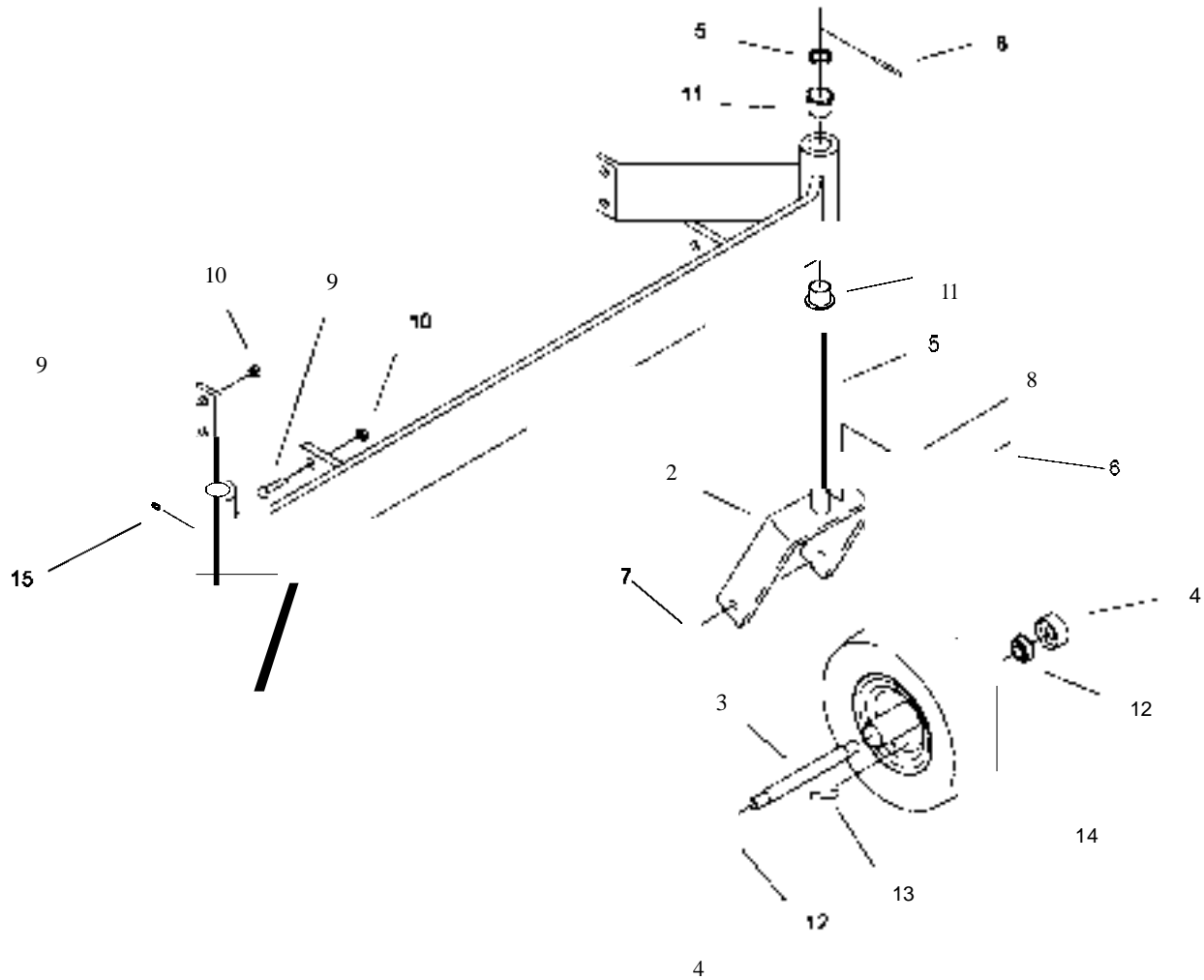
**ALL PART NUMBERS SHOWN
ON PAGES 1, 2, AND 13**

NOTE: FOUR 1/2" NUTS
LOOSE ENOUGH
FOR BARS TO PIVOT.



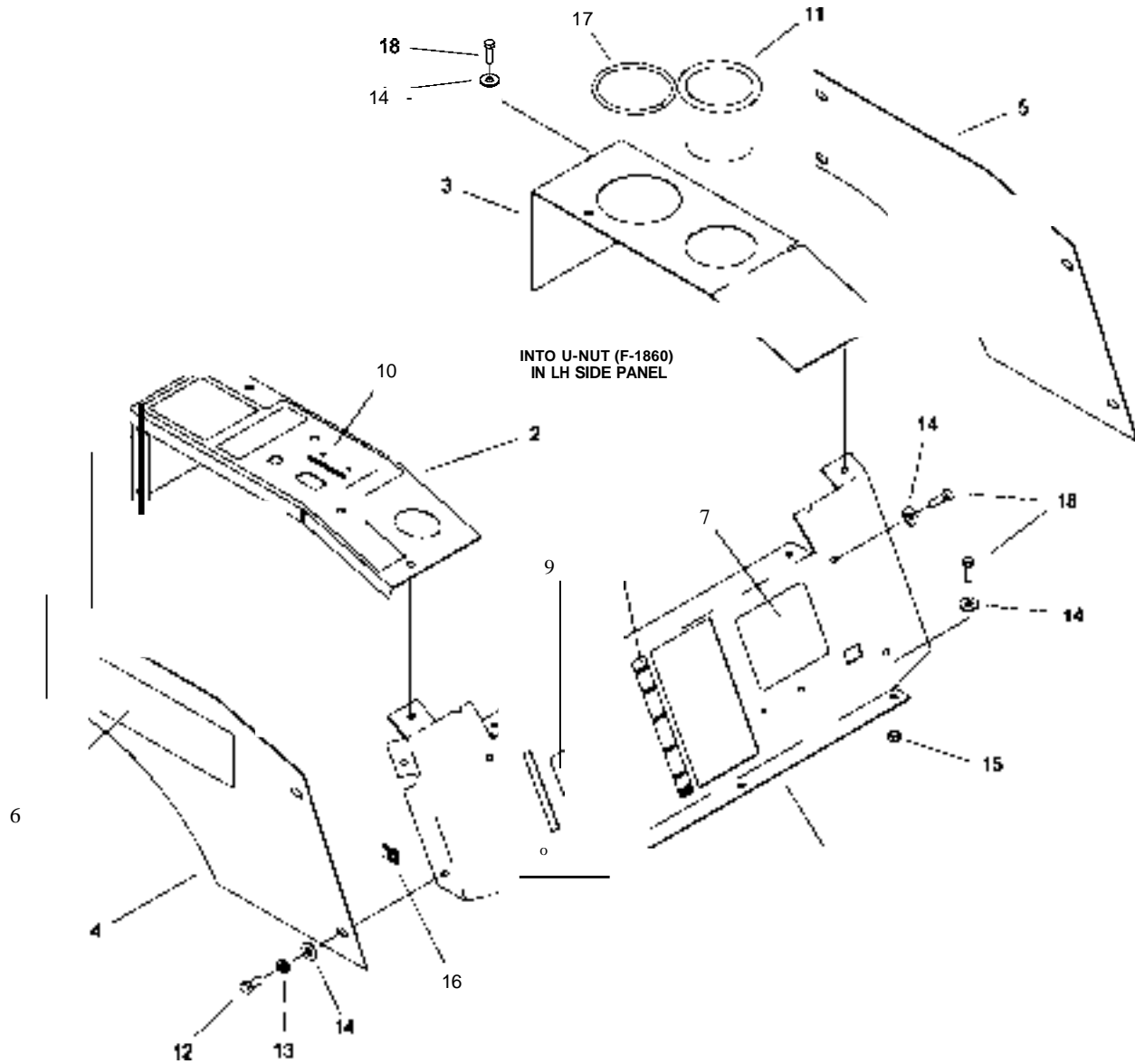
NOTE: 661-101P
GO ON THE OUTSIDE
AS SHOWN.

FRONT END



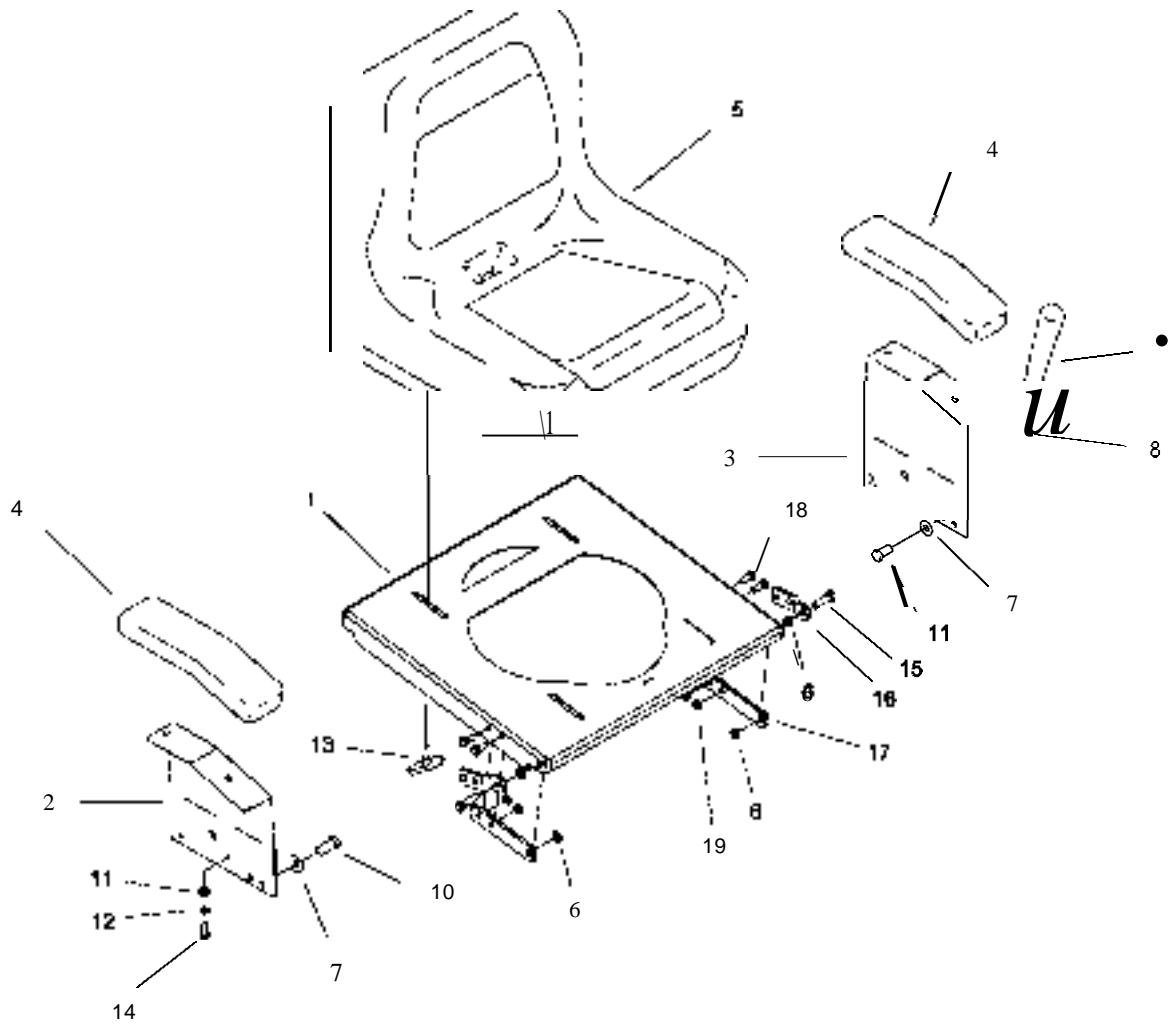
REF NO.	PART NO.	QTY.	DESCRIPTION
1	681-044W	1	FRONT END WELDMENT
2	649-Q18W	2	CASTER YOKE
3	622-121P	2	BEARING SPACER
4	611-135P	4	BEARING SHIELD
5	649-027P	4	THRUST WASHER
6	F-2026	2	1 1/2-13 X 6" BOLT
7	F-1005-05	2	1 1/2" LOCK NUT
8	F-1922	4	ROLL PIN
9	F-1558	8	3/8-16 X 7/8" BOLT
10	F-1005-03	8	3 1/8-16 LOCK NUT
11	H-2350	4	FLANGED BUSHING
12	D-3432	4	BEARING
13	P-11384	2	DECAL, TIRE PRESSURE (12 PSI)
14	D-3605	2	10" TIRE WITH RIM
15	H-1056	2	GREASE FITTING

FRONT PANEL & FENDERS



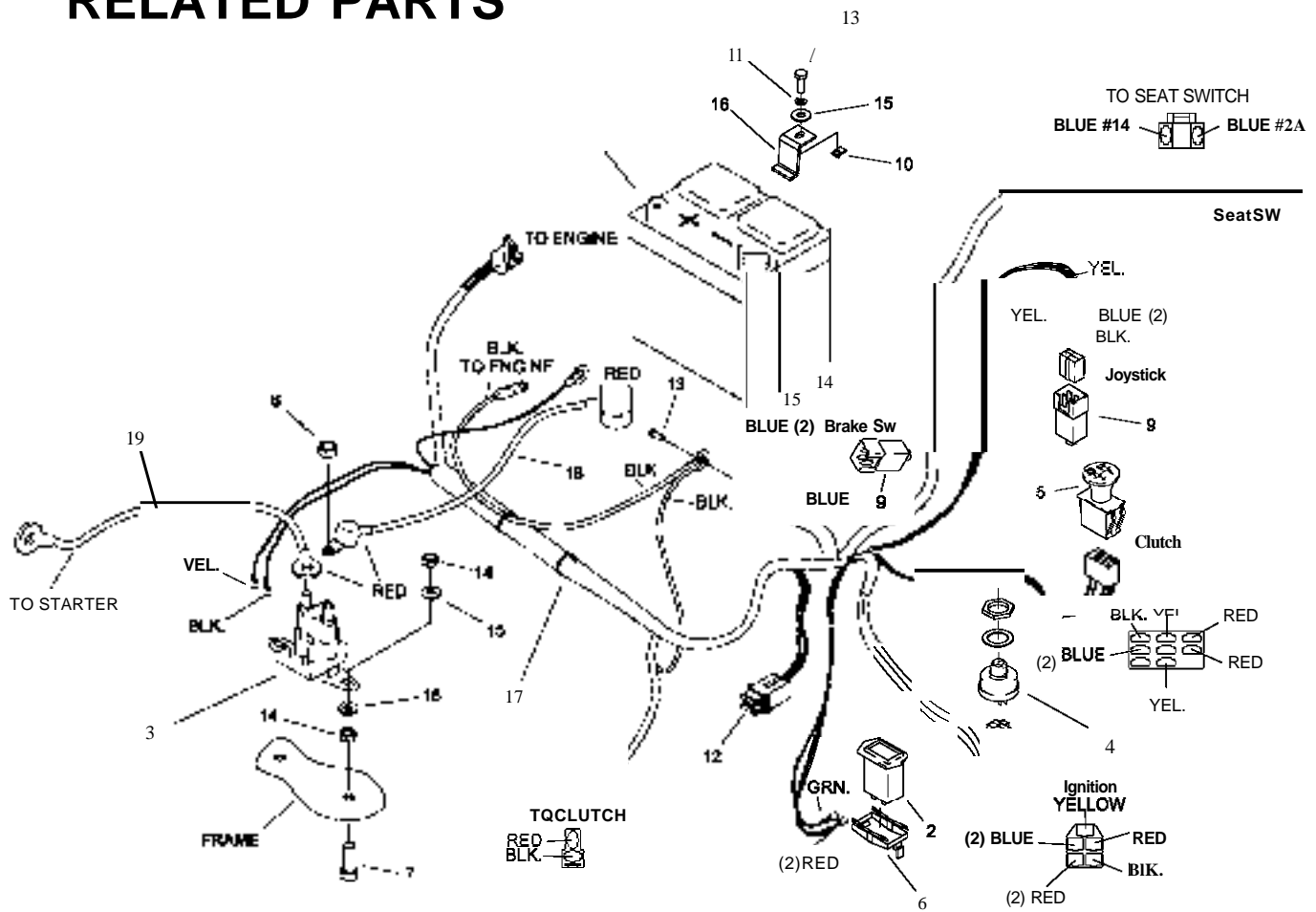
REF NO.	PART NO.	QTY.	DESCRIPTION	REF NO.	PART NO.	QTY.	DESCRIPTION
1	661-006P	1	FRONT PANEL (W/DECALS --,-071A)	17	H-1626	1	TRIM, FUEL TANK
2	659-166P	1	FENDER CAP, RH (W/DECALS659-166A)	18	F-1546	11	5/16-18 X 3/4' BOLT
3	661.Q30P	1	FENDER CAP, LH				
4	659.Q23P	1	FENDER SKIRT RH (W/DECALS --1-056A)				
5	659.Q23P	1	FENDER SKIRT LH (W/DECALS 661-055A)				
6	P-12097	2	DECAL, "COUNTRY CLIPPER"				
7	P-11782	1	DECAL, "SAFETY STOP"				
8	P-11783	1	DECAL, CUT REFERENCE				
9	P-11382	1	DECAL, "BRAKE OFF & ON"				
10	P-11626	1	DECAL, "CONTROL PANEL"				
11	644.Q28P	1	CUP HOLDER				
12	F-1015-15	8	5/16-18 X 1" BOLT				
13	F-1019-02	8	5/16 LOCK WASHER				
14	F-1009-02	19	5/16 FLAT WASHER				
15	F-1125	10	5/16-18 LOCK NUT				
16	F-1860	9	U-NUT, 5/16"				

SEAT AND RELATED PARTS



REF NO.	PART NO.	QTY.	DESCRIPTION	REF NO.	PART NO.	QTY.	DESCRIPTION
1	659-005P	1	SEAT MOUNTING BRACE	17	659-175P	2	SEAT HINGE TAB
2	659-051P	1	ARM REST RH. (JOYSTICK)	18	F-1546	4	5/16-18 x 3/4" GR. 5 BOLT
3	659-055W	1	ARM REST LH. (JOYSTICK)	19	F-1125	4	5/16-18 LOCK NUT
4	621-143A	2	ARM REST PAD				
5	H-2449	1	SEAT				
6	F-1005-03	4	3/8-16 LOCK NUT				
7	F-1009-03	2	3/8" FLAT WASHER				
8	F-1011-03	1	3/8-16 PLAIN NUT				
9	H-2317	1	TAPERED HANDLE				
10	F-1015-23	4	3/8-16 X 3/4" BOLT				
11	F-1009-02	4	5/16" FLAT WASHER				
12	F-1019-02	4	5/16" LOCK WASHER				
13	659-073A	4	T-HANDLE ASSEMBLY				
14	F-1015-15	4	5/16-18 X 1" BOLT				
15	F-1015-27	2	3/8-16 x 1-1/2" GR. 5 BOLT				
16	647-086P	2	FLIP SEAT MATING TAB				

WIRE HARNESS & RELATED PARTS



REF NO.	PART NO.	QTY.	DESCRIPTION
1	E-5812	1	BATIERY
2	E-5878	1	HOUR METER
3	E-6054	1	SOLENOID
4	E-5873	1	START SWITCH
5	E-6403	1	CLUTCH SWITCH
6	F-1011-01	2	1/4-20 NUT
7	F-1015-05	2	1/4-20 X1" GR. 5
8	E-6369	1	RETAINER CLIP
9	E-6297	2	BRAKE SWITCH
10	F-1858	1	1/4-20 U-NUT
11	F-1019.Q1	1	1/4" LOCK WASHER
12	E-6207	2	FUSE, #ATC-30
13	F-1538	3	1/4-20 X 3/4" GR. 5
14	F-1158	6	1/4-20 LOCK NUT
15	F-1009.Q1	9	1/4" FLAT WASHER
16	661-092P	1	BATIERY HOLD DOWN
17	E-6405	1	WIRE HARNESS
18	E-6418	1	CABLE, BATIERY TO SOLENOID
19	E-6419	1	CABLE, SOLENOID TO ENGINE
	E-6261		COVER (KEY SWITCH) -NOT SHOWN-