

# REPAIR PARTS MANUAL

for

# **COUNTRY CLIPPER<sup>®</sup>**

**JAZZEE<sup>™</sup>**

SR210

**JAZZEE<sup>™</sup>  
PRO**

SR360



**COUNTRY CLIPPER  
"JAZEE "  
AND  
"JAZEE PRO"  
ZERO TURN RADIUS MOWER**

**TABLE OF CONTENTS**

PAGE.... CONTENTS

**SECTION 1 - MOWER DECKS AND RELATED PARTS**

- 1-1 DOUBLE IDLER STYLE DECK ASSEMBLY
- 1-2 DECK SPINDLE ASSEMBLY
- 1-3 DOUBLE IDLER STYLE DRIVE BELT IDLER & RELATED PARTS
- 1-4 LIFT HANDLE ASSEMBLY & RELATED PARTS
- 1-5 LIFT ASSEMBLY & RELATED PARTS
- 1-6 TRANSMISSION IDLERS & RELATED PARTS

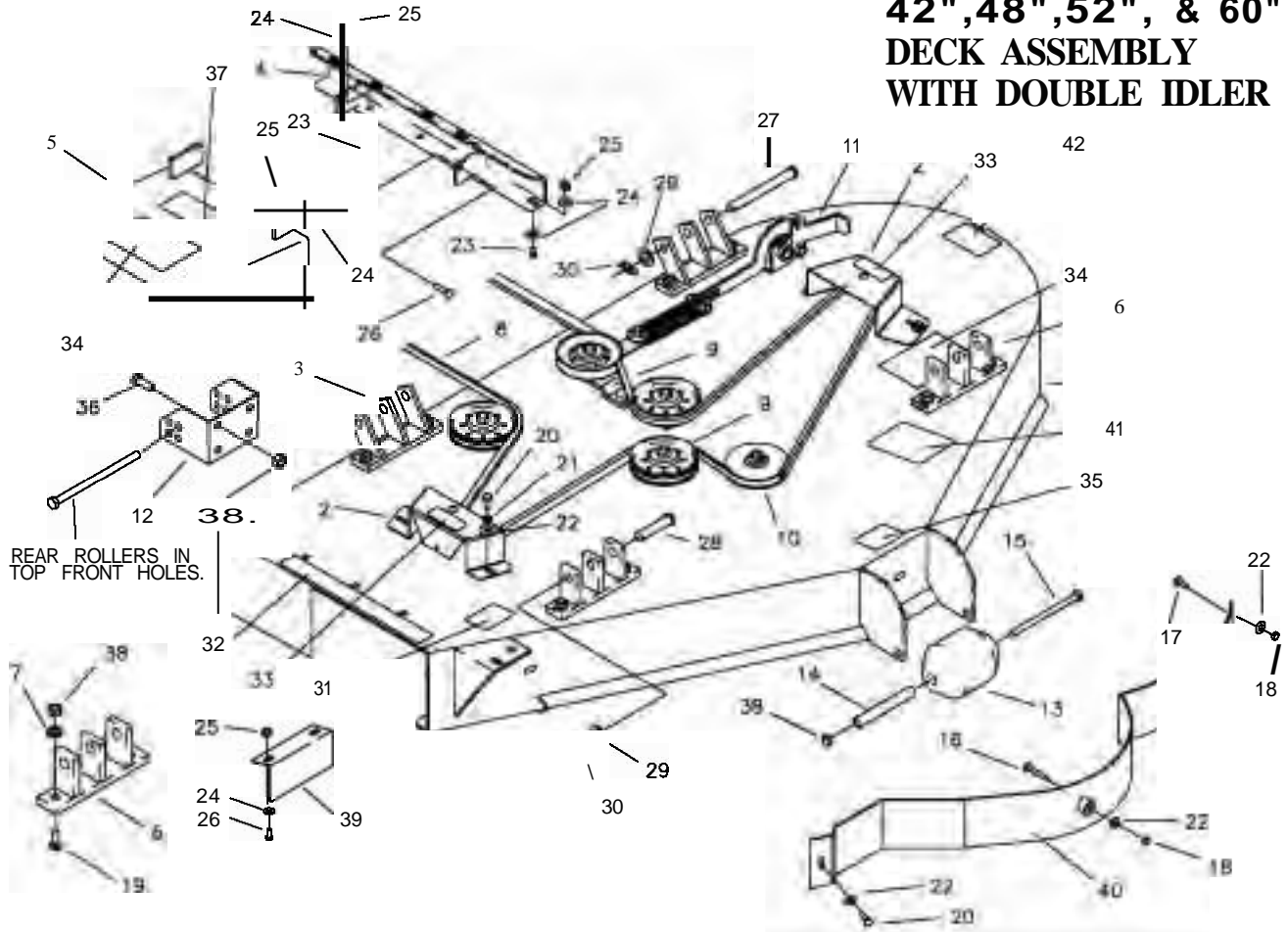
**SECTION 2 -TRACTOR FRAME AND RELATED PARTS**

- 2-7 CASTER WHEEL ASSEMBLY
- 2-8 FRAME SIDES & RELATED PARTS FOR JAZEE SR210
- 2-9 FRAME SIDES & RELATED PARTS FOR JAZEE PRO SR360
- 2-10 FENDER ASSEMBLY
- 2-11 SEAT, FOOT DECK & RELATED PARTS
- 2-12 FRONT STEP & RELATED PARTS FOR JAZEE PRO SR360

**SECTION 3 -TRACTOR DRIVE AND RELATED PARTS**

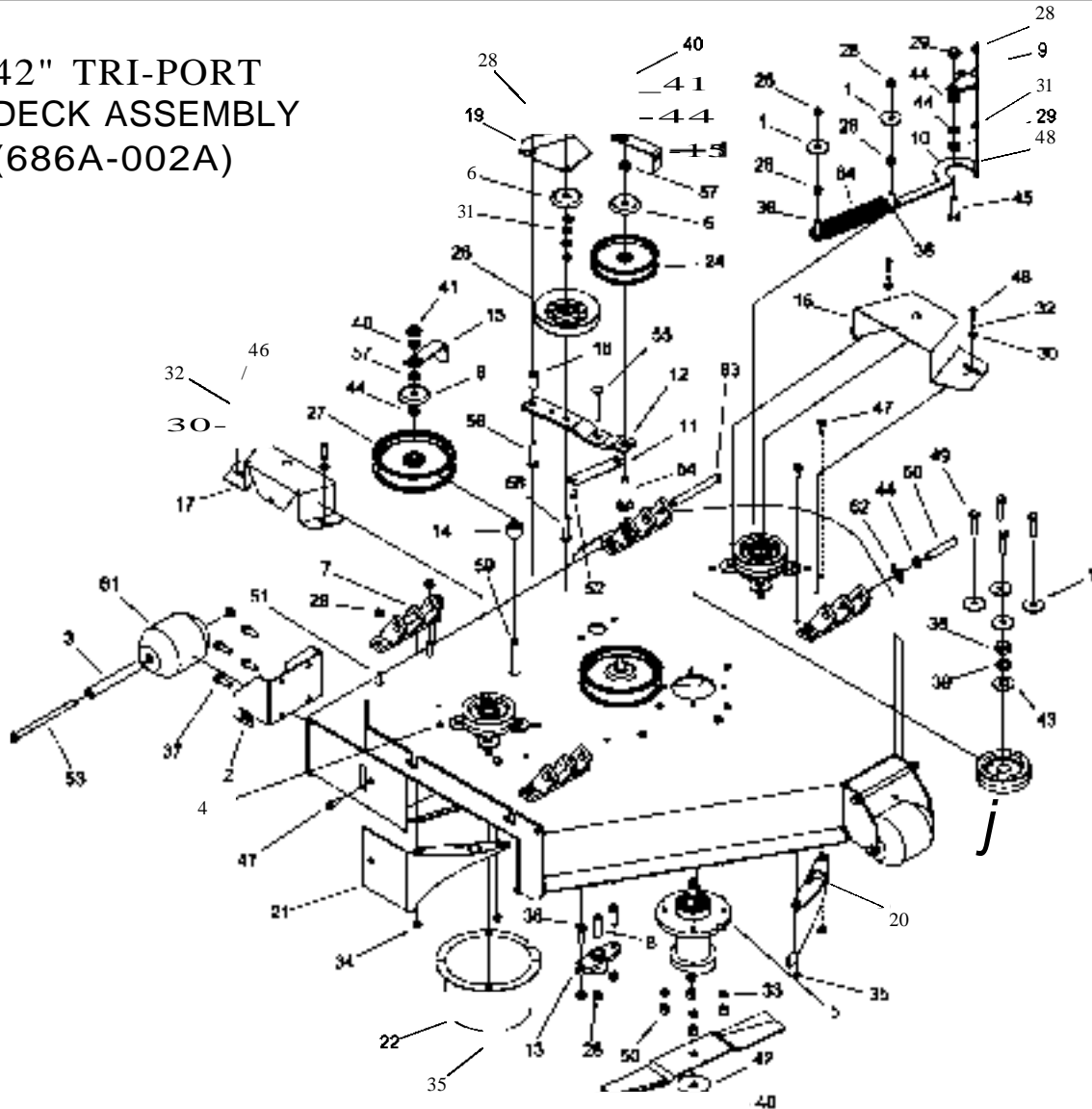
- 3-13 FUEL TANK ASSEMBLY
- 3-14 JOYSTICK STEERING CONTROL & RELATED PARTS
- 3-15 JOYSTICK STEERING CONTROL & RELATED PARTS FOR JAZEE SR210
- 3-16 JOYSTICK STEERING CONTROL & RELATED PARTS FOR JAZEE PRO SR360
- 3-17 RIGHT HAND STEERING CONTROL AND RELATED PARTS
- 3-18 LEFT HAND STEERING CONTROL AND RELATED PARTS
- 3-19 PARKING BRAKE ASSEMBLY & RELATED PARTS FOR JAZEE SR210
- 3-20 PARKING BRAKE ASSEMBLY & RELATED PARTS FOR JAZEE PRO SR360
- 3-21 MOTOR AND TRANSMISSION ASSEMBLY & RELATED PARTS FOR JAZEE SR210
- 3-22 MOTOR AND TRANSMISSION ASSEMBLY & RELATED PARTS FOR JAZEE PRO SR360
- 3-23 E-6405 WIRE HARNESS & RELATED PARTS (20 HP,26 HP BRIGGS, & 27HP KOHLER)
- 3-24 E-6415 WIRE HARNESS & RELATED PARTS (21 HP)
- 3-25 E-6416 WIRE HARNESS & RELATED PARTS (21 HP)
- 3-26 E-6417 KAWASAKI ADAPTER HARNESS & RELATED PARTS
- 3-27 E-6436 ADAPTER HARNESS & RELATED PARTS (20HP,26HP BRIGGS & 27HP KOHLER)

# 42", 48", 52", & 60" DECK ASSEMBLY WITH DOUBLE IDLER



| REF NO. | PART NO.  | QTY. | DESCRIPTION                                  | REF NO. | PART NO.  | QTY. | DESCRIPTION              |
|---------|-----------|------|--|---------|-----------|------|--------------------------|
|         | 660L-003W | 1    | 42" DECK (COMPLETE ASSEMBLY 660L-002A)       | 23      | F-1671    | 4    | CARRIAGE 80LT 5/16 X 3/4 |
|         | 660K-003W | 1    | 48" DECK (COMPLETE ASSEMBLY 660K-002A)       | 24      | F-1009-02 | 8    | 5/16" FLAT WASHER        |
|         | 6601-003W | 1    | 52" DECK (COMPLETE ASSEMBLY 6601-002A)       | 25      | F-1125    | 7    | 5/16-18 LOCKNUT          |
|         | 660J-003W | 1    | 60" DECK (COMPLETE ASSEMBLY 660J-002A)       | 26      | F-1015-15 | 6    | 5/16-18 X 1" GR. 5       |
| 2       | 660-047P  | 1    | 42" LH PULLEY COVER (W/DECAL 66D-D52A)       | 27      | H-2240    | 2    | PIN, 1/2" X 4-1/2"       |
|         | 660-048P  | 1    | 42" RH PULLEY COVER (W/DECAL 66D-D53A)       | 28      | F-1889    | 2    | PIN, 1/2" X 2-1/2"       |
|         | 660-049P  | 1    | 48" & 52" LH PULLEY COVER (W/DECAL 860-054A) | 29      | F-1521    | 7    | 1/2" FLAT WASHER         |
|         | 660-050P  | 1    | 48" & 52" RH PULLEY COVER (W/DECAL 660-055A) | 30      | H-2239    | 4    | RUE RING 1/2"            |
|         | 668-016P  | 2    | 60" PULLEY COVER (W/DECAL 668-024A)          | 31      | P-10947   | 1    | DECAL. "GREASE SPINOLE"  |
| 3       | 651-009W  | 2    | DECK HANGER                                  | 32      | P-10122   | 1    | DECAL. "MISSING CHUTE"   |
| 4       | 649-012W  | 1    | OUTLET STIFFENER                             | 33      | P-10935   | 2    | DECAL. "ROTATING..."     |
| 5       | 649-007W  | 1    | DECK CHUTE (W/DECAL 649-054A)                | 34      | P-10941   | 2    | DECAL. "MULTI PERIL"     |
| 6       | 643-016W  | 2    | DECK HANGER                                  | 35      | P-11413   | 1    | DECAL. "HOIST POINT"     |
| 7       | F-1019-03 | 8    | 3/8 LOCK WASHER                              | 36      | F-1394    | 12   | 3/8-16 X 1" GR. 5        |
| 8       | D-3727-W  | 1    | V-BELT, A-144, WRAPPED (42")                 | 37      | P-10937   | 1    | DECAL. "WARNING"         |
|         | D-3775-W  | 1    | V-BELT, A-158, WRAPPED (48")                 | 38      | F-1005-03 | 13   | LOCKNUT, 3/8 STOVER      |
|         | D-3776-W  | 1    | V-BELT, B-180, WRAPPED (52" & 60")           | 39      | 651-023P  | 1    | AIR BAFFLE (42")         |
| 9       |           |      | DOUBLE IDLER ASSEMBLY (SEE PG.1-3)           |         | 629-230P  | 1    | AIR BAFFLE (48" & 52")   |
| 10      |           | 3    | SPINOLE ASSEMBLY (SEE PG.1-2)                |         | 643-042P  | 1    | AIR BAFFLE (60")         |
| 11      |           |      | BELT TIGHTING SYSTEM (SEE PG.1-3)            | 40      | 651-022W  | 1    | DUST BAFFLE WLDT. 42"    |
| 12      | 637-006P  | 2    | REAR SCALPER BRACKET (42")                   |         | 629-241W  | 1    | DUST BAFFLE WLDT. 48"    |
| 13      | H-1948    | 5    | ROLLER, 3-3/4 DIA. X 4-13/16                 |         | 629-229W  | 1    | DUST BAFFLE WLDT. 52"    |
| 14      | 609-183P  | 5    | WHEEL BUSHING                                |         | 643-047W  | 1    | DUST BAFFLE WLDT. 60"    |
| 15      | F-1741    | 3    | 3/8-16 X 6" GR. 5                            | 41      | P-11932   | 1    | DECAL. BELT ROUTING      |
| 16      | F-1935    | 1    | CARRIAGE BOLT, 1/4 X 1 1/2                   | 42      | P-11949   | 1    | DECAL, DECK SIZE 42"     |
| 17      | F-1823    | 1    | CARRIAGE BOLT, 1/4 X 3/4                     |         | P-11950   | 1    | DECAL, DECK SIZE 48"     |
| 18      | F-1158    | 2    | LOCKNUT, 1/4-20                              |         | P-11951   | 1    | DECAL, DECK SIZE 52"     |
| 19      | F-1672    | 8    | CARRIAGE BOLT, 3/8 X 1-1/4                   |         | P-11952   | 1    | DECAL, DECK SIZE 60"     |
| 20      | F-1538    | 4    | 1/4-20 X 3/4 GR. 5                           |         |           |      |                          |
| 21      | F-1019-01 | 4    | 1/4" LOCKWASHER                              |         |           |      |                          |
| 22      | F-1009-01 | 7    | 1 4" FLAT WASHER                             |         |           |      |                          |

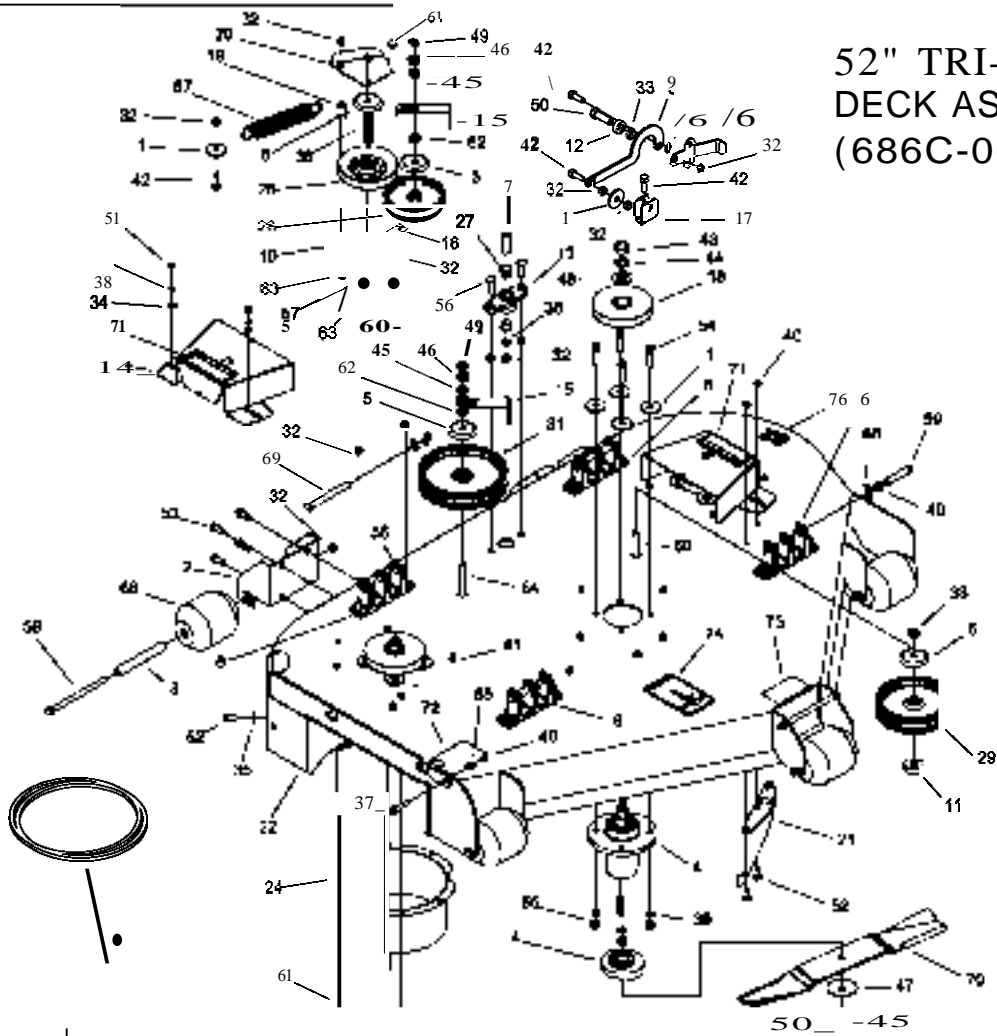
# 42" TRI-PORT DECK ASSEMBLY (686A-002A)



| REF NO. | PART NO.  | QTY. | DESCRIPTION               |
|---------|-----------|------|---------------------------|
| 1       | 606-034P  | 14   | SPINDLE SPACER WASHER     |
| 2       | 609-182P  | 2    | REAR CENTER BRACKET       |
| 3       | 609-183P  | 3    | BUSHING                   |
| 4       | 609-266P  | 3    | DECK PULLEY, 3.75         |
| 5       | 609F-019A | 3    | DECK SPINDLE ASSEMBLY     |
| ●       | 620-201P  | 4    | WASHER, BEARING CAP       |
| 7       | 651-009W  | 4    | DECK MOUNT WELDMENT       |
| ●       | 6S9-08SP  | 1    | MOUNTING PIN              |
| J       | 660-030P  | 1    | BELT TIGHTENER HANDLE     |
| 10      | 660-031P  | 1    | BELT TIGHTENER ARM        |
| 11      | 660-035P  | 1    | EXTENSION FOR SPRING      |
| 12      | 660-036P  | 1    | IDLER ARM                 |
| 13      | 660-039P  | 1    | DOUBLE IDLER MOUNT        |
| 14      | 660-083P  | 2    | SPACER                    |
| 15      | 660-084P  | 2    | BELT KEEPER               |
| 16      | 660-047P  | 1    | PULLEY COVER              |
| 17      | 660-048P  | 1    | PULLEY COVER              |
| J*      | 668-021P  | 1    | BELT GUARD COVER          |
| J*      | 668-029P  | 1    | BELT GUARD                |
| 20      | 686-006W  | 2    | SPUTTER WELDMENT          |
| 21      | 686-018W  | 1    | DISCHARGE BAFFLE WELDMENT |
| 22      | 686-050W  | 3    | 6" TUBE WELDMENT          |
| 23      | 686A-003W | 1    | 42" DECK SHELL WELDMENT   |
| 24      | 0-3338    | 1    | FLAT PULLEY IDLER         |
| 25      | 0-3730    | 2    | FLANGED BUSHING 5/8" BORE |
| 2.      | 0-3758    | 1    | 3/4" IDLER PULLEY         |
| 27      | 0-3774    | 2    | IDLER PULLEY              |
| 2.      | F-1005-03 | 30   | 3/8-16 STOVER NUT         |
| 2.      | F-1005-05 | 2    | 1/2-13 STOVER NUT         |
| 30      | F-1009-01 | 4    | 1/4" FLAT WASHER          |
| 31      | F-1009-03 | ●    | 3/8" FLAT WASHER          |
| 32      | F-1019-01 | 4    | 1 4" LOCK WASHER          |

| REF NO. | PART NO.  | QTY. | DESCRIPTION                   |
|---------|-----------|------|-------------------------------|
| 33      | F-1019-03 | 12   | 3/8" LOCK WASHER              |
| 34      | F-1125    | ●    | 5/16-18 STOVER NUT            |
| 35      | F-1158    | 13   | 1/4-20 STOVER NUT             |
| 3.      | F-1307    | 4    | 3/8-16 x 1-1/4" CAPSCREW      |
| 37      | F-1394    | ●    | 3/8-16 x 1" CAPSCREW          |
| 3*      | F-1461    | 3    | 3/4-16 JAM NUT                |
| 39      | F-1463    | 3    | 3/4" LOCK WASHER              |
| 40      | F-1464    | 5    | 1/2" LOCK WASHER              |
| 41      | F-1459    | 2    | 1/2-13 HEX NUT                |
| 42      | F-1507    | 3    | 1/2" CUPPED WASHER            |
| 43      | F-1510    | 3    | 3/4" FLAT WASHER              |
| 44      | F-1521    | ●    | 1/2" WASHER                   |
| 45      | F-1526    | 4    | 1/2-13 x 1-1/2" CAPSCREW      |
| 4.      | F-1538    | J*   | 1/4-20 x 3/4" CAPSCREW        |
| 47      | F-1546    | 7    | 5/16-18 x 3/4" CAPSCREW       |
| 4.      | F-1558    | 1    | 3/8-16 x 7/8" CAPSCREW        |
| 49      | F-1572    | 12   | 3/8-24 x 1-1/2" CAPSCREW      |
| 50      | F-1573    | 12   | 3/8-24 LOCK NUT               |
| 51      | F-1672    | ●    | 3/8-16 x 1-1/4" CARRIAGE BOLT |
| 52      | F-1733    | 1    | 1/4" x 1/2" DRIVE SCREW       |
| 53      | F-1741    | 4    | 3/8-16 x 6" CAPSCREW          |
| 54      | F-1822    | 1    | 1/2-13 x 2-1/4" CARRIAGE BOLT |
| 55      | F-1865    | 1    | 3/8-16 x 2-1/2" CARRIAGE BOLT |
| 5.      | F-1889    | 2    | 1/2" x 2-5/8" CLEAVIS PIN     |
| 57      | F-1966    | 3    | 1/2-13 THIN NYLOC NUT         |
| 5.      | F-1976    | 2    | 3/8-16 x 1-1/2" CARRIAGE BOLT |
| 5*      | F-2047    | 2    | 1/2-13 x 3" CARRIAGE BOLT     |
| .0      | H-1715    | 3    | 15" HIGH LIFT BLADE           |
| 1       | H-1948    | 3    | 3-3/4" x 4-13/16" ROLLER      |
| .2      | H-2239    | 4    | 1/2" RUE RING                 |
| .3      | H-2240    | 2    | 1/2" x 4-1/2" CLEAVIS PIN     |
| .4      | H-2092    | 1    | 1-1 4" x 5" EXTENTION SPRING  |

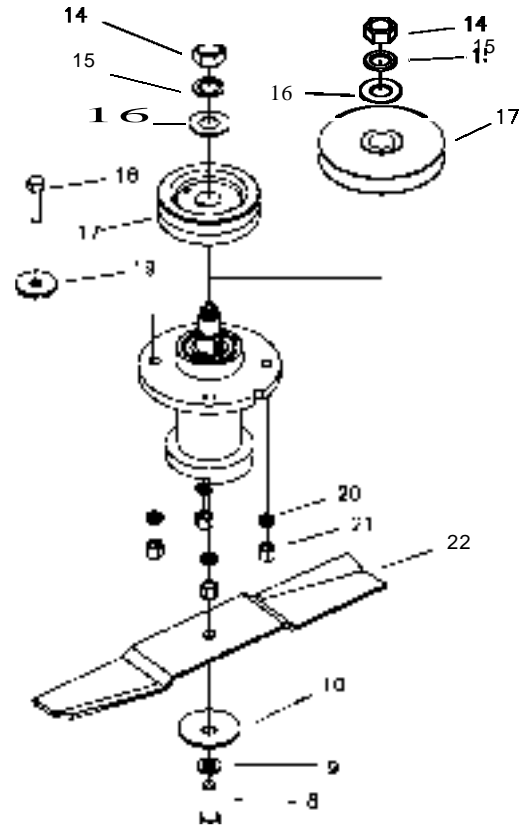
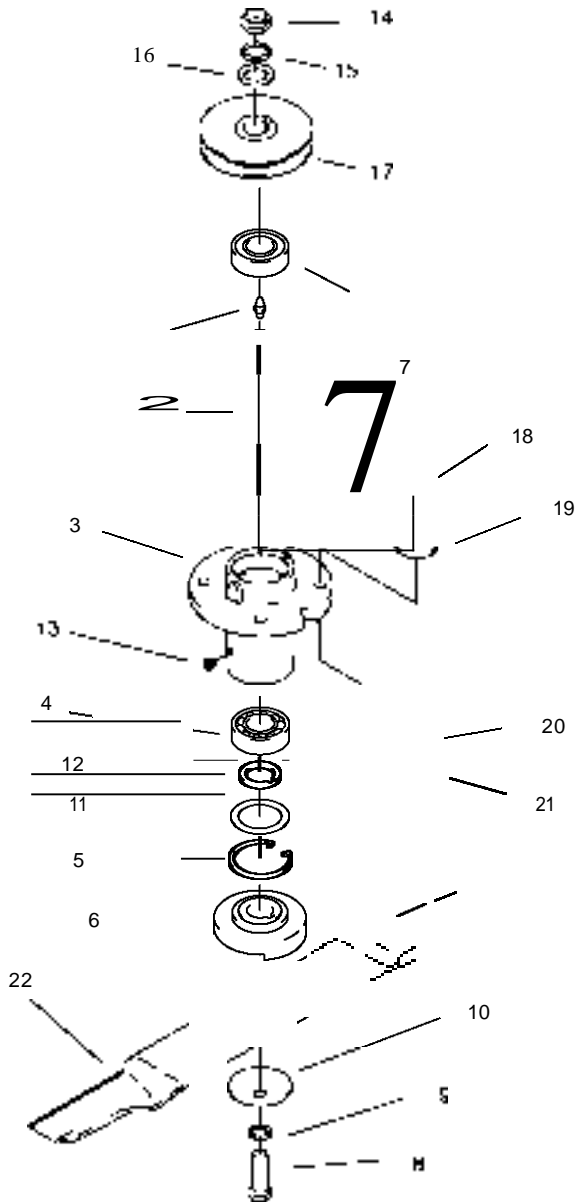
52" TRI-PORT  
DECK ASSEMBLY  
(686C-002A)



| REF NO. | PART NO.  | QTY. | DESCRIPTION               |
|---------|-----------|------|---------------------------|
| 1       | 606-034P  | 14   | SPINDLE SPACER WASHER     |
| 2       | 609-1B2P  | 2    | REAR CENTER BRACKET       |
| 3       | S09-1B3P  | 3    | BUSHING                   |
| 4       | S09F-019A | 3    | DECK SPINDLE ASSEMBLY     |
| 5       | 620-201P  | 4    | WASHER, BEARING CAP       |
| 6       | 643-016W  | 4    | HANGER WELDMENT           |
| 7       | 659-0B5P  | 1    | MOUNTING PIN              |
| 8       | 660-030P  | 1    | BELT TIGHTENER HANDLE     |
| 9       | 660-031P  | 1    | BELT TIGHTENER ARM        |
| 10      | 660-036P  | 1    | IDLER ARM                 |
| 11      | SSO-037P  | 2    | 1/2- WIDE SPACER          |
| 12      | SSO-03BP  | 1    | 3/8" WIDE SPACER          |
| 13      | SSO-039P  | 1    | DOUBLE IDLER MOUNT        |
| 14      | SSO-049P  | 2    | PULLEY COVER              |
| 15      | 660-060P  | 2    | BELT KEEPER               |
| 16      | 660-0B1P  | 1    | EXTENTION FOR SPRING      |
| 17      | 661-015P  | 1    | SHACKLE                   |
| 18      | 66B-013P  | 3    | 52- PULLEY                |
| 19      | 66B-021P  | 1    | BELT GUARD SPACER         |
| 20      | 66B-029P  | 1    | BELT GUARD                |
| 21      | 6B6-006W  | 2    | SPUTIER WELDMENT          |
| 22      | SBS-01BW  | 1    | DISCHARGE BAFFLE WELDMENT |
| 24      | SBS-059W  | 3    | 8" TUBE WELDMENT          |
| 25      | SBSC-003W | 1    | 52- DECK SHELL WELDMENT   |
| 26      | D-3338    | 1    | FLAT PULLEY IDLER         |
| 27      | D-3730    | 2    | FLANGED BUSHING 5/B- BORE |
| 28      | 0-3758    | 1    | 3/4"-IDLER PULLEY         |
| 29      | 0-3774    | 2    | IDLER PULLEY              |
| 30      | 0-3776    | 1    | BELT, B-180               |
| 31      | 0-3815    | 1    | PULLEY                    |
| 32      | F-1005-03 | 32   | 3/8-16 STOVER NUT         |
| 33      | F-1005-05 | 2    | 1/2-13 STOVER NUT         |
| 34      | F-1009-01 | 4    | 1/4" FLAT WASHER          |
| 35      | F-1009-02 | 1    | 5/16- FLAT WASHER         |
| 36      | F-1009-03 | 6    | 3/8" FLAT WASHER          |
| 37      | F-1015-17 | 1    | 5/16-1B x 1-1/2" CAPSCREW |
| 38      | F-1019-01 | 4    | 1/4" LOCK WASHER          |
| 39      | F-1019-03 | 12   | 3/8" LOCK WASHER          |
| 40      | F-1125    | 7    | 5 16-18 STOVER NUT        |

| REF NO. | PART NO. | QTY. | DESCRIPTION                     |
|---------|----------|------|---------------------------------|
| 41      | F-1158   | 12   | 1/4-20 STOVER NUT               |
| 42      | F-1394   | 4    | 3/8-16 x 1" CAPSCREW            |
| 43      | F-1461   | 3    | 3/4-16 JAM NUT                  |
| 44      | F-1463   | 3    | 3/4" LOCK WASHER                |
| 45      | F-1464   | 5    | 1/2" LOCK WASHER                |
| 46      | F-1489   | 2    | 1/2-13 HEX NUT                  |
| 47      | F-1507   | 3    | 1/2" CUPPED WASHER              |
| 48      | F-1510   | 3    | 3/4" FLAT WASHER                |
| 49      | F-1521   | 6    | 1/2" WASHER                     |
| 50      | F-1526   | 4    | 1/2-13 x 1-1/2- CAPSCREW        |
| 51      | F-1538   | 16   | 1/4-20 x 3/4" CAPSCREW          |
| 52      | F-1546   | 7    | 5/16-18 x 3/4" CAPSCREW         |
| 53      | F-1558   | 6    | 3/8-16 x 7/8" CAPSCREW          |
| 54      | F-1572   | 12   | 3/8-24 x 1-1/2- CAPSCREW        |
| 55      | F-1573   | 12   | 3/8-24 LOCK NUT                 |
| 56      | F-1672   | 10   | 3/8-16 x 1-1/4- CARRIAGE BOLT   |
| 57      | F-1733   | 1    | 1/4" x 1/2" DRIVE SCREW         |
| 58      | F-1741   | 4    | 3/8-16 x 6" CAPSCREW            |
| 59      | F-1816   | 2    | 1/2" x 2-1/2" CLEAVIS PIN       |
| 60      | F-1822   | 1    | 1/2-13 x 2-1/4- CARRIAGE BOLT   |
| 61      | F-1865   | 1    | 3/8-16 x 2-1/2- CARRIAGE BOLT   |
| 62      | F-1966   | 2    | 1/2-13 THIN NYLOC NUT           |
| 63      | F-1976   | 2    | 3/8-16 x 1-1/2- CARRIAGE BOLT   |
| 64      | F-2047   | 2    | 1/2-13 x 3" CARRIAGE BOLT       |
| 65      | H-1637   | 1    | SPRING                          |
| 66      | H-1948   | 5    | 3-3/4" x 4-13/16" ROLLER        |
| 67      | H-2092   | 1    | 1-1/4- x 5" EXTENTION SPRING    |
| 68      | H-2239   | 4    | 1/2- RUE RING                   |
| 69      | H-2240   | 2    | 1/2- x 4-1/2- CLEAVIS PIN       |
| 70      | H-2246   | 3    | 18-3/8" HIGH UFT BLADE          |
| 71      | P-10935  | 2    | "WARNING- OEAL                  |
| 72      | P-10947  | 1    | -GREASE OECK SPINOLE" OEAL      |
| 73      | P-11413  | 1    | -HOIST POINT" DECAL             |
| 74      | P-11932  | 1    | -JAZEE DECK BELT ROUTING- DECAL |
| 75      | P-11951  | 1    | "52" DECK SIZE DECAL            |

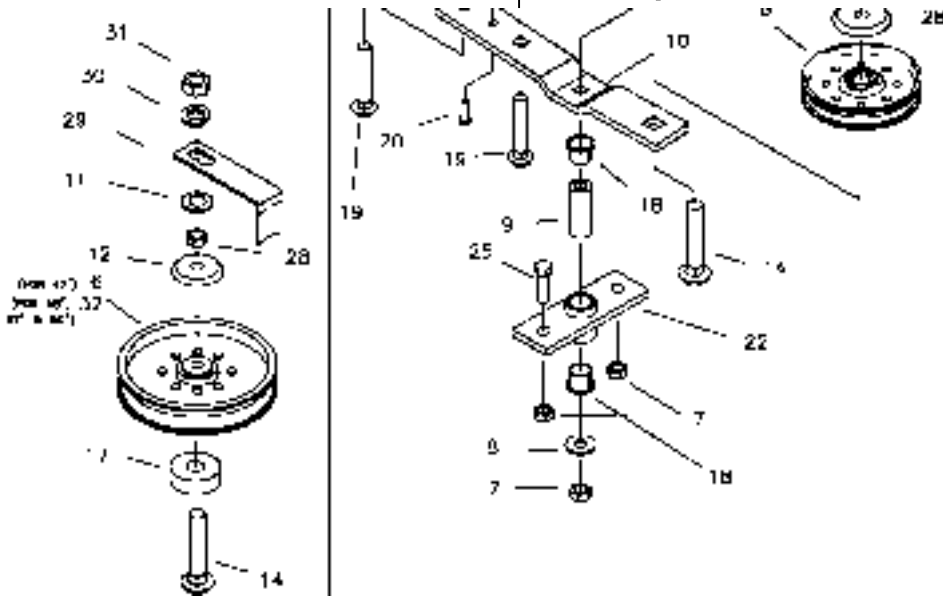
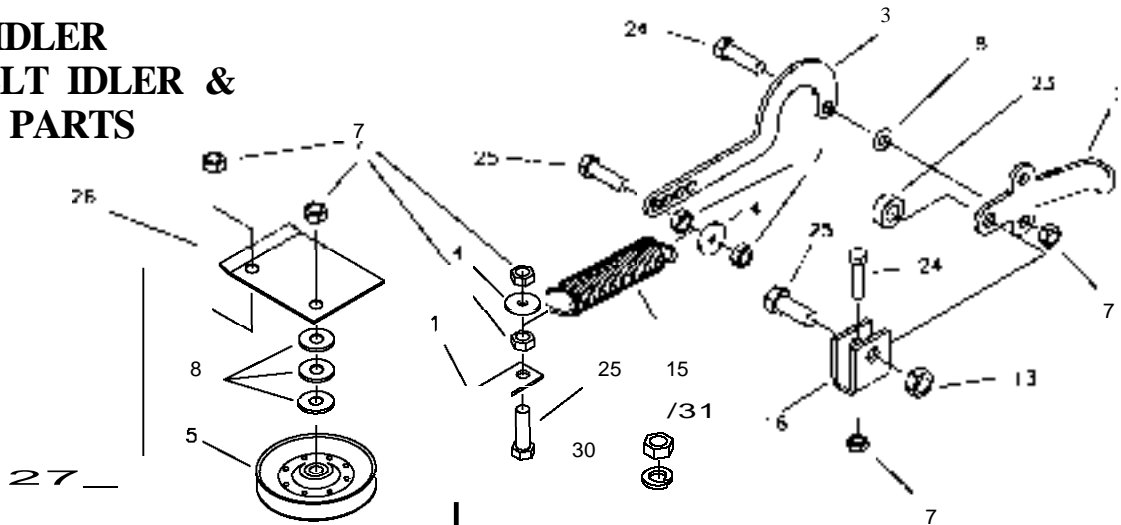
# DECK SPINDLE ASSEMBLY



**609F-019A**  
**USED ON 686A-002A & 686C-002A DECKS**

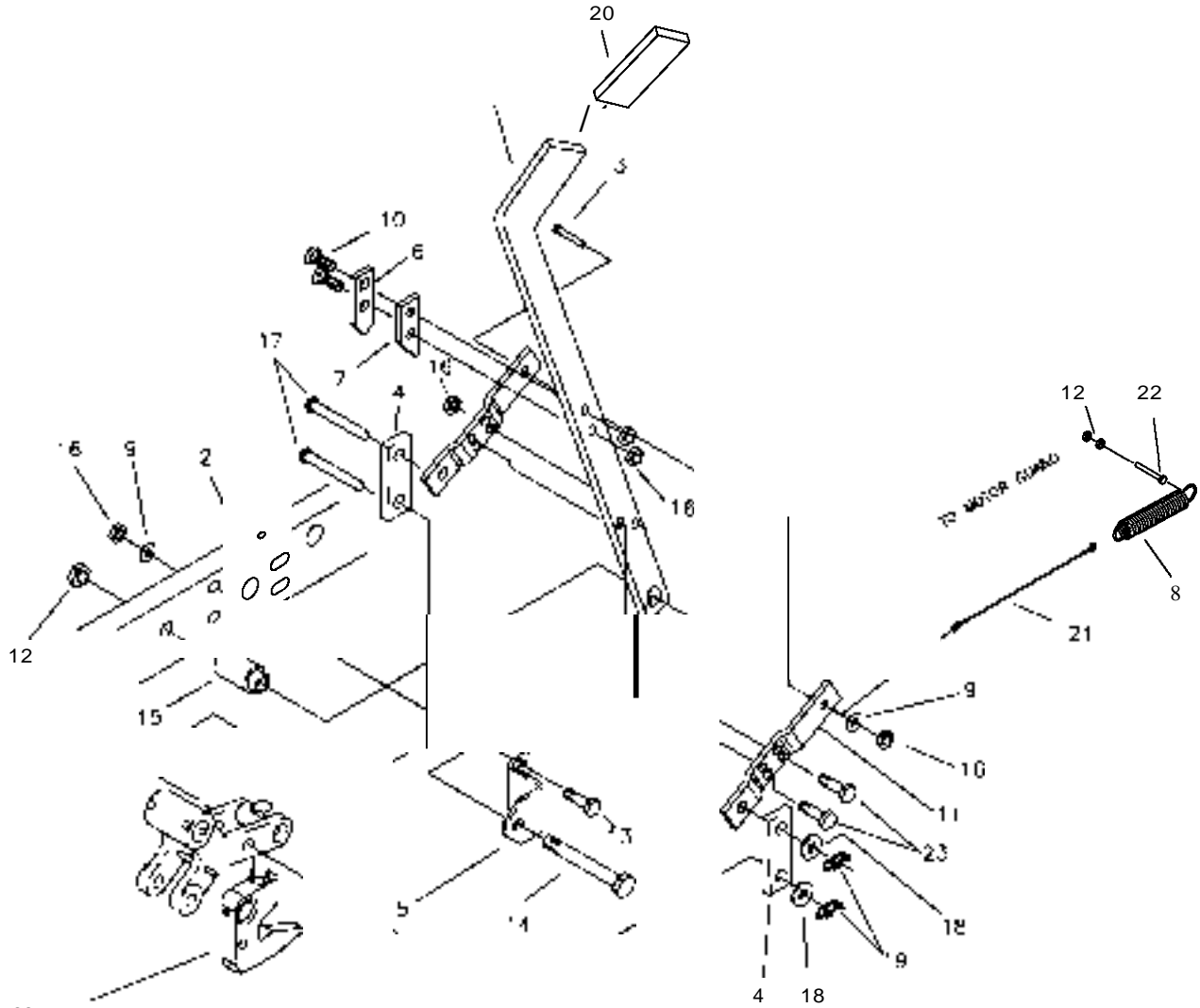
| REF NO. | PART NO.  | QTY. | DESCRIPTION                | REF NO. | PART NO.  | QTY. | DESCRIPTION                    |
|---------|-----------|------|----------------------------|---------|-----------|------|--------------------------------|
| 1       | 660-045A  | 1    | SPINDLE ASSEMBLY           | 18      | F-1572    | 4    | 3/8-24 X 1-1/2" HHCS GR. 5     |
| 2       | H-1056    | 1    | GREASE FINING              | 19      | 609-034P  | 4    | SPINDLE SPACER REINFORCEMENT   |
| 3       | 609-162P  | 1    | SPINDLE SHAFT              | 20      | F-1019-03 | 4    | 3/8" LOCK WASHER               |
| 4       | 660-028P  | 1    | SPINDLE HOUSING, FLAT      | 21      | F-1573    | 4    | 3/8-24 LOCKNUT, M-F            |
| 5       | D-3058    | 2    | BEARING, #6205-2RS         | 22      | H-1714    | 1    | BLADE, HIGH L, 17" CUT 48"     |
| 6       | H-1893    | 1    | SNAP RING INT. 52MM        |         | H-1715    |      | BLADE, HIGH L, 15" CUT 42"     |
| 7       | H-1893    | 1    | SNAP RING INT. 52MM        |         | H-2246    |      | BLADE, HIGH L, 18 3/8" CUT 52" |
| 8       | 609-152P  | 1    | BLADE SPACER               |         | H-1708    |      | BLADE, HIGH L, 21" CUT 60"     |
| 9       | D-1004-02 | 2    | KEY, WOODRUF, 1/4 X 3/4    |         |           |      | OPTIONAL BLADES                |
| 10      | F-1526    | 1    | 1/2-13 X 1-1/2" HHCS GR. 5 |         | H-1666    |      | BLADE, LOW L, 17" CUT 48"      |
| 11      | F-1464    | 1    | 1/2" LOCK WASHER           |         | H-1665    |      | BLADE, LOW L, 15" CUT 42"      |
| 12      | F-1507    | 1    | WASHER, 1/2" CUPPED        |         | H-2387    |      | BLADE, LOW L, 18 3/8" CUT, 52" |
| 13      | 609-151P  | 1    | WASHER, SEAL               |         | H-1667    |      | BLADE, LOW L, 21" CUT, 60"     |
| 14      | 609-073P  | 1    | ARBOR SPACER               |         | H-2013    |      | BLADE, GATOR, 15" CUT 42"      |
| 15      | H-2066    | 1    | GREASE VENT 5 LBS.         |         | H-2202    |      | BLADE, GATOR, 17" CUT 48"      |
| 16      | F-1461    | 1    | 3/4-16 NUT, HEX JAM        |         | H-2251    |      | BLADE, GATOR, 18 3/8" CUT 52"  |
| 17      | F-1463    | 1    | 3/4" LOCK WASHER           |         | H-2122    |      | BLADE, GATOR, 21" CUT 60"      |
| 18      | F-1510    | 1    | 3/4" WASHER, FLAT STD.     |         |           |      |                                |
| 19      | 609-266P  | 1    | SPINDLE PULLEY, 42"        |         |           |      |                                |
| 20      | 668-014P  | 1    | SPINDLE PULLEY, 48"        |         |           |      |                                |
| 21      | 668-013P  | 1    | SPINDLE PULLEY, 52"        |         |           |      |                                |
| 22      | 668-012P  | 1    | SPINDLE PULLEY, 60"        |         |           |      |                                |

# DOUBLE IDLER DRIVE BELT IDLER & RELATED PARTS



| REF NO. | PART NO.  | QTY. | DESCRIPTION                   | REF NO. | PART NO.  | QTY. | DESCRIPTION           |
|---------|-----------|------|-------------------------------|---------|-----------|------|-----------------------|
| 1       | 660-081 P | 1    | EXTENSION FOR SPRING          | 22      | 660-039P  | 1    | MOUNT, DOUBLE IDLER   |
| 2       | 660-030P  | 1    | HANDLE, BELT TIGHTENER        | 23      | 660-038P  | 1    | 3/8" THICK SPACER     |
| 3       | 660-031 P | 1    | ARM, BELT TIGHTENER           | 24      | F-1394    | 5    | 3/8-16 X 1" GR. 5     |
| 4       | 609-034P  | 2    | SPINDLE SPACER REINFORCEMENT  | 25      | F-1526    | 2    | 1/2-13 X 1-1/2" GR. 5 |
| 5       | D-3758    | 1    | Y' IDLER PULLEY               | 26      | 668-029P  | 1    | BELT GUARD            |
| 6       | D-3338    | 2    | IDLER PULLEY                  | 27      | 668-021 P | 1    | SPACER, BELT GUARD    |
| 7       | F-1005-03 | 11   | 3/8 LOCK NUT                  | 28      | F-1966    | 2    | 1/2" THIN NYLOC NUT   |
| 8       | F-1009-03 | 5    | 3/8 FLAT WASHER               | 29      | 660-060P  | 2    | 8BELT KEEPER          |
| 9       | 659-085P  | 1    | MOUNTING PIN                  | 30      | F-1464    | 2    | 1/2" LOCK WASHER      |
| 10      | 660-036P  | 1    | IDLER ARM                     | 31      | F-1489    | 2    | 1/2" THIN NUT         |
| 11      | F-1521    | 4    | 1/2" FLAT WASHER              | 32      | D-3774    | 1    | IDLER PULLEY, 5" DIA  |
| 12      | 620-201P  | 3    | BEARING CAP                   |         |           |      |                       |
| 13      | F-1005-05 | 4    | 1/2" LOCK NUT                 |         |           |      |                       |
| 14      | F-1927    | 1    | 1/2-13 X 2-3/4" CARRIAGE BOLT |         |           |      |                       |
| 15      | H-2092    | 1    | SPRING                        |         |           |      |                       |
| 16      | 661-015P  | 1    | SHACKLE                       |         |           |      |                       |
| 17      | 660-037P  | 1    | 1/2" THICK SPACER             |         |           |      |                       |
| 18      | D-3730    | 2    | BUSHING, TEFLON COATED        |         |           |      |                       |
| 19      | F-1976    | 2    | 3/8-16 X 2" CARRIAGE BOLT     |         |           |      |                       |
| 20      | F-1733    | 1    | 1/4" DRIVE STUD               |         |           |      |                       |
| 21      | F-1865    | 1    | 3/8-16 X 2-1/2" CARRIAGE BOLT |         |           |      |                       |

# LIFT HANDLE ASSEMBLY & RELATED PARTS

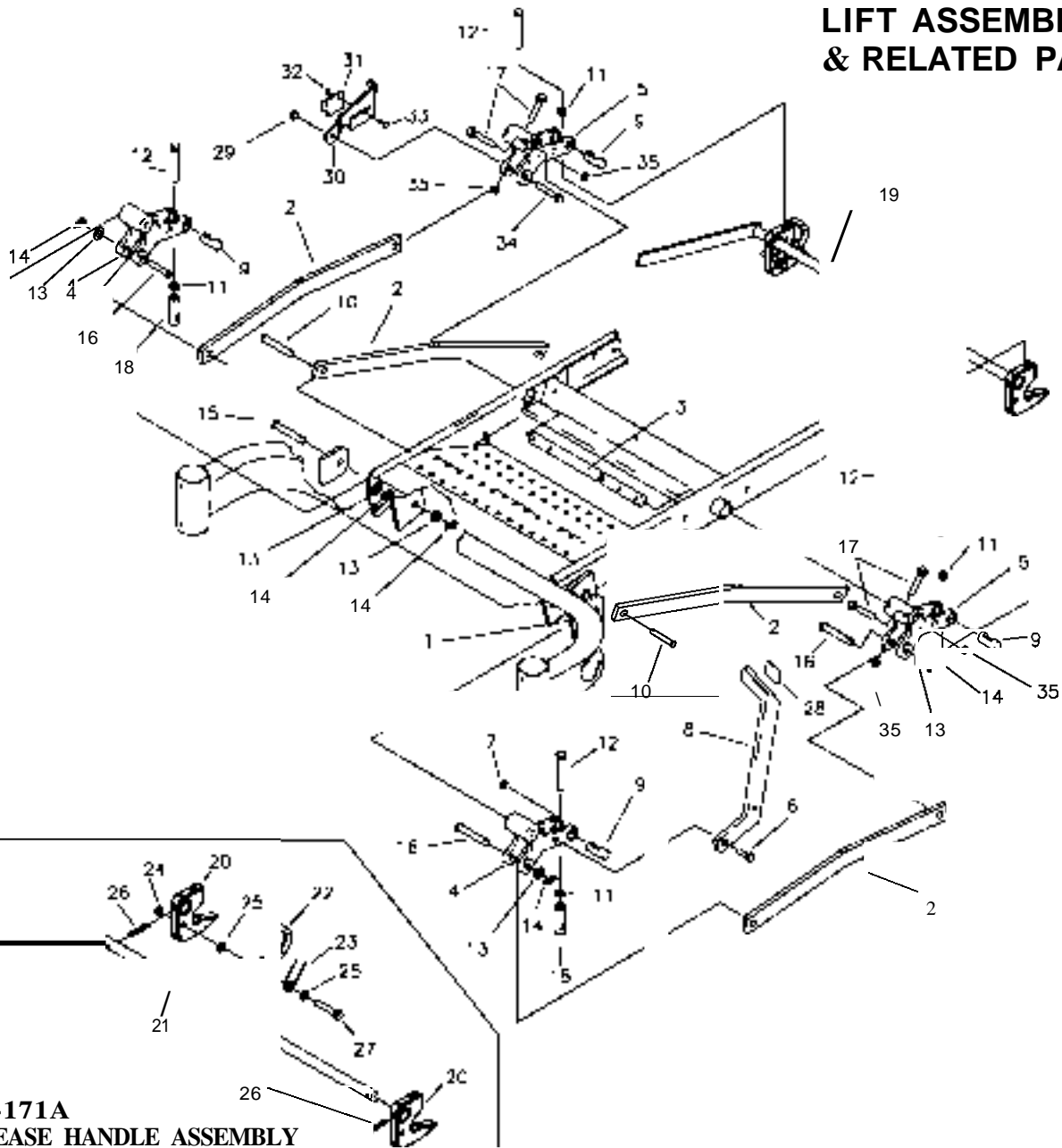


SEE ASSEMBLY NUMBER  
PAGE 1-5

| REF NO. | PART NO.  | QTY. | DESCRIPTION                    | REF NO. | PART NO.  | QTY. | DESCRIPTION                  |
|---------|-----------|------|--------------------------------|---------|-----------|------|------------------------------|
| 1       | 659-060P  | 1    | LIFT HANDLE                    | 15      | 642-095P  | 1    | HANDLE PIVOT PIN             |
| 2       | 659-022W  | 1    | FRAME WELDMENT, LH.            | 16      | F-1005-03 | 6    | NUT, 3/8-16 LOCKNUT (STOVER) |
| 3       | F-1073    | 1    | 3/8-18 X 2" GR 5               | 17      | F-1889    | 2    | CLEVIS PIN, 1/2 X 2 5/8"     |
| 4       | 642-061P  | 2    | HANDLE LINK                    | 18      | F-1521    | 2    | 1/2" FLAT WASHER             |
| 5       | 642-041P  | 1    | HANDLE PIVOT BRACKET           | 19      | H-2239    | 2    | RUE RING, 1/2"               |
| 6       | 642-127P  | 1    | TOP PEG LATCH PLATE            | 20      | H-2324    | 1    | VINYL GRIP, 3/8 X 1 1/2"     |
| 7       | 642-126P  | 1    | TOP PEG SPACER PLATE           | 21      | H-2460    | 1    | CABLE                        |
| 8       | H-1610    | 1    | SPRING, 1 1/2" 00. X 8"        | 22      | F-1293    | 2    | 1/2-13 X 1 1/2" GR. 5        |
| 9       | F-1009-03 | 3    | FLAT WASHER, 3/8"              | 23      | F-1307    | 2    | 1/2-13 X 1 1/4" GR. 5        |
| 10      | F-1672    | 2    | CARRIAGE BOLT, 3/8-16 X 1 1/4" |         |           |      |                              |
| 11      | 642-060P  | 2    | SPRING ANCHOR PLATE            |         |           |      |                              |
| 12      | F-1005-05 | 3    | NUT, 1/2-13 LOCKNUT            |         |           |      |                              |
| 13      | F-1394    | 2    | 3/8-16 X 1" GR. 5              |         |           |      |                              |
| 14      | F-1439    | 1    | 1/2-13 X 3" GR, 5              |         |           |      |                              |



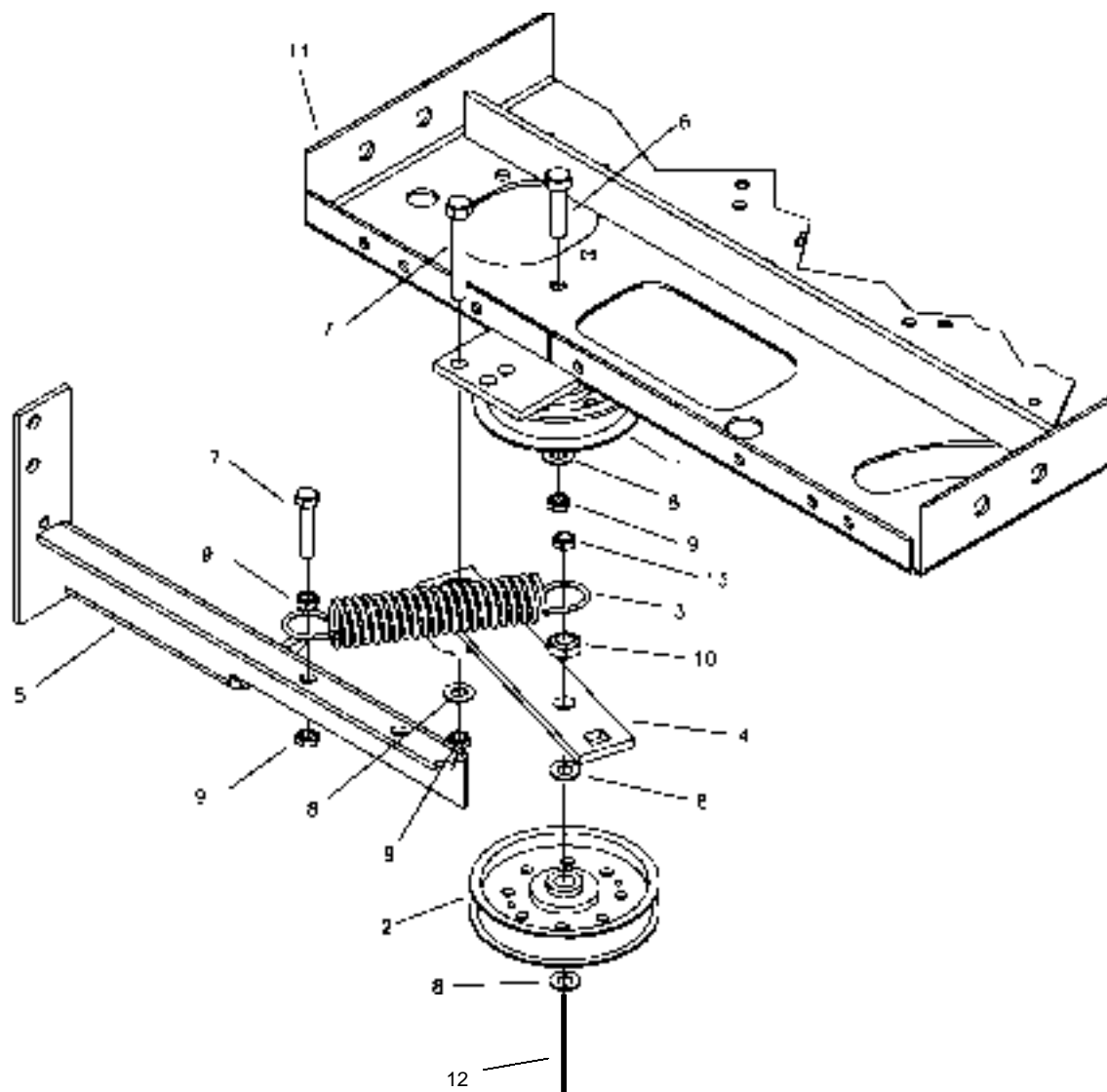
# LIFT ASSEMBLY & RELATED PARTS



**659-171A**  
**RELEASE HANDLE ASSEMBLY**

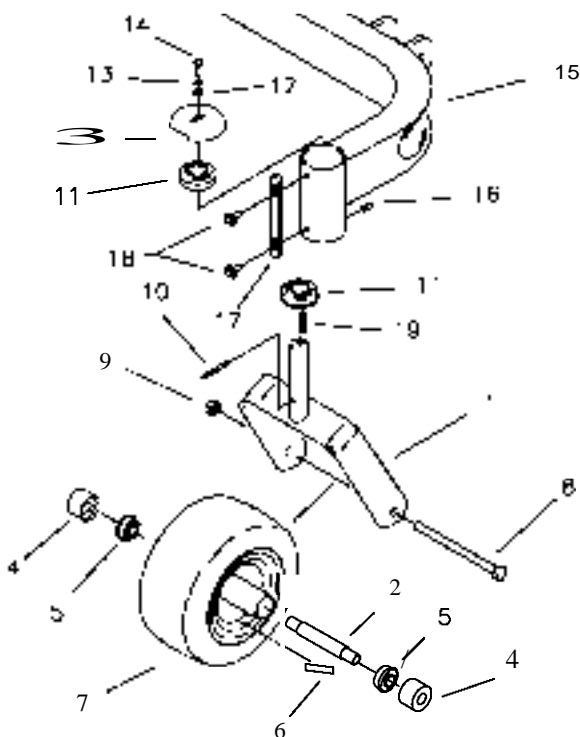
| REF NO. | PART NO.  | QTY. | DESCRIPTION               | REF NO. | PART NO.  | QTY. | DESCRIPTION                  |
|---------|-----------|------|---------------------------|---------|-----------|------|------------------------------|
| 1       | 642-063P  | 2    | DRAG BAR TAB              | 19      | 659-171A  | 1    | RELEASE HANDLE ASSEMBLY      |
| 2       | 659-155P  | 4    | DRAG LINK BAR             | 20      | 659-140P  | 2    | DECK HOOK                    |
| 3       | 620-051 P | 1    | LIFT BAR                  | 21      | 659-148W  | 1    | RELEASE HANDLE WELDMENT      |
| 4       | 642-081 P | 2    | LIFT SLEEVE, FRONT        | 22      | 659-145P  | 1    | HOOK KEEPER                  |
| 5       | 642-082P  | 2    | LIFT SLEEVE, REAR         | 23      | H-2547    | 1    | SPRING, TORSION              |
| 6       | F-1879    | 1    | 5/16-18 X 1 1/4" GR.5     | 24      | F-1005-03 | 1    | NUT. 3/8-16. STOVER          |
| 7       | F-1125    | 1    | 5/16-18 STOVER NUT        | 25      | F-1009-03 | 2    | WASHER, FLAT, 3/8"           |
| 8       | 659-056P  | 1    | DECK LIFT PEDAL           | 26      | F-2009    | 2    | SPIROL ROLL PIN 1/4 X 1-1/2  |
| 9       | 642-177P  | 4    | HANGER PIN                | 27      | F-1073    | 1    | CAPSCREW, 3/8-16 X 2, GR. 5  |
| 10      | F-1896    | 2    | CLEVIS PIN, 1/2 X 1 3/4"  | 28      | H-2401    | 1    | TREAD PAD                    |
| 11      | F-1489    | 4    | NUT. 1/2" JAM             | 29      | F-1005-05 | 1    | 1/2" STOVER NUT              |
| 12      | F-1936    | 4    | 1/2-13 X 3 1/2. 2" THREAD | 30      | 659-146P  | 1    | LATCH PLATE                  |
| 13      | F-1521    | 8    | WASHER, 1/2 NARROW        | 31      | 659-170P  | 1    | PLATE, CATCH                 |
| 14      | H-2239    | 8    | RUE RING, 1/2"            | 32      | F-1158    | 2    | NUT. 1/4" STOVER             |
| 15      | F-1890    | 2    | CLEVIS PIN, 1/2 X 3 1/2"  | 33      | F-1823    | 2    | CARRIAGE BOLT, 1/4-20 X 3/4" |
| 16      | F-1898    | 3    | CLEVIS PIN, 1/2 X 2 3/4"  | 34      | F-1828    | 1    | 1/2-13 x 3-1/2" CAPSCREW     |
| 17      | F-2039    | 4    | 5/16-24 x 2" HHCS         | 35      | F-2041    | 4    | 5/16-24 JAM NUT              |
| 18      | 642-175P  | 2    | ADJUSTABLE HANGER END     |         |           |      |                              |

## TRANSMISSION IDLERS & RELATED PARTS



| REF NO. | PART NO.  | QTY. | DESCRIPTION                       |
|---------|-----------|------|-----------------------------------|
| 1       | D-3768    | 1    | PULLEY, 3-1/2" X 1"               |
| 2       | D-3617    | 1    | PULLEY, FLAT IDLER, 1/2" BORE, 4" |
| 3       | H-2092    | 1    | SPRING, 1 1/4 X 5"                |
| 4       | 661-090A  | 1    | IDLER ARM ASSEMBLY                |
| 5       | 659-160W  | 1    | BRACE WELDMENT                    |
| 6       | F-1073    | 1    | 3/8-16 x 2" CAPSCREW              |
| 7       | F-1015-30 | 2    | 3/8-16 X 2-1/2" GR. 5             |
| 8       | F-1009-03 | 4    | 3/8" FLAT WASHER                  |
| 9       | F-1005-03 | 4    | 3/8-16 STOVER LOCK NUT            |
| 10      | F-1966    | 1    | 1/2" THIN NYLOC NUT               |
| 11      | 659-174W  | 1    | MOTOR MOUNT WELDMENT              |
| 12      | F-1664    | 1    | 1/2-13 x 2-1/4" CAPSCREW          |
| 13      | F-1005-05 | 1    | 1/2-13 STOVER NUT                 |

## CASTER WHEEL ASSEMBLY

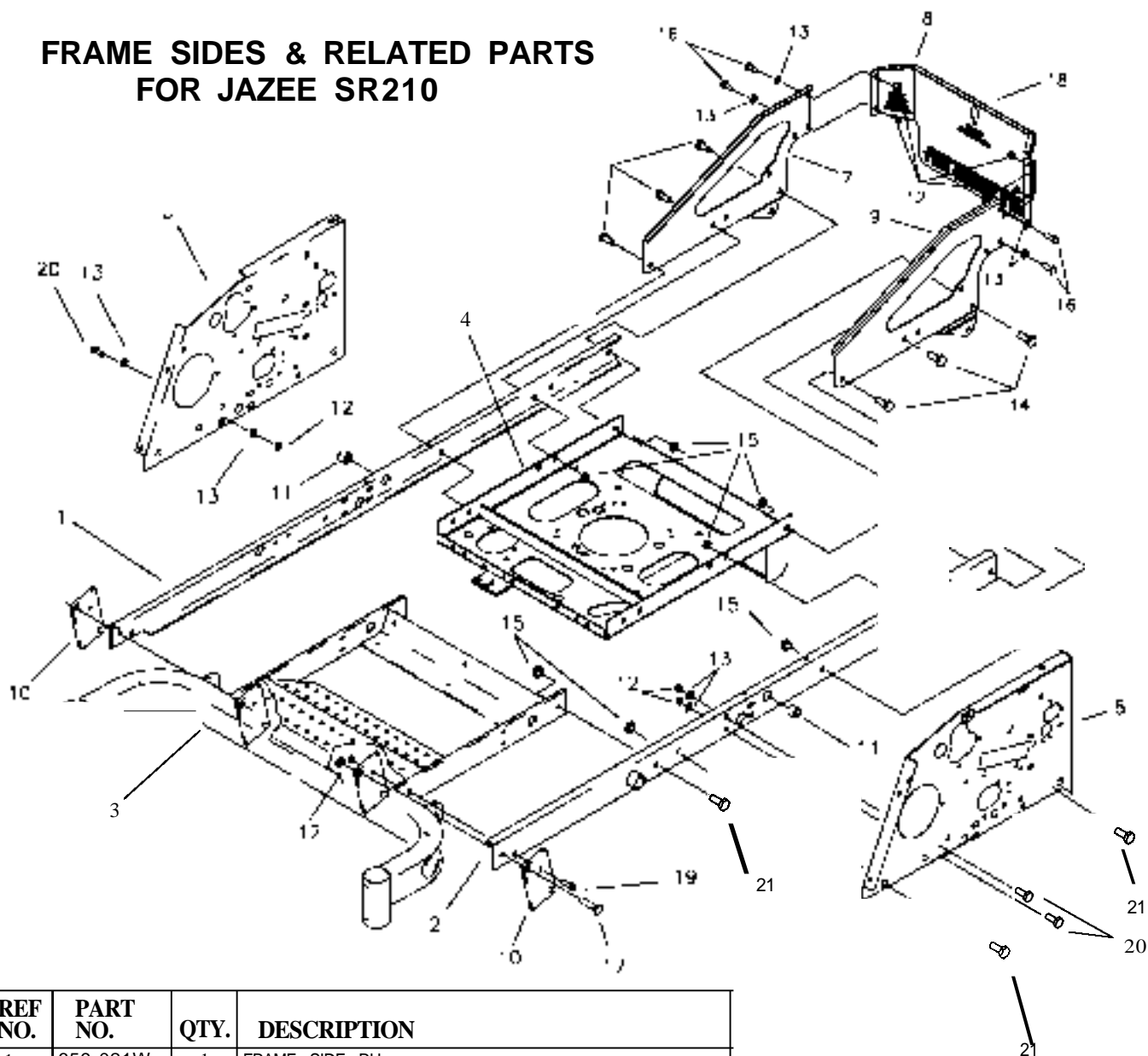


**NOTE:**

REF. NO.3 IS SHOWN IN REFERCE POSITION FOR CLARITY. WHEN INSTALLING, THE NOTCH SHOULD POINT TOWARDS THE BACK OF MOWER

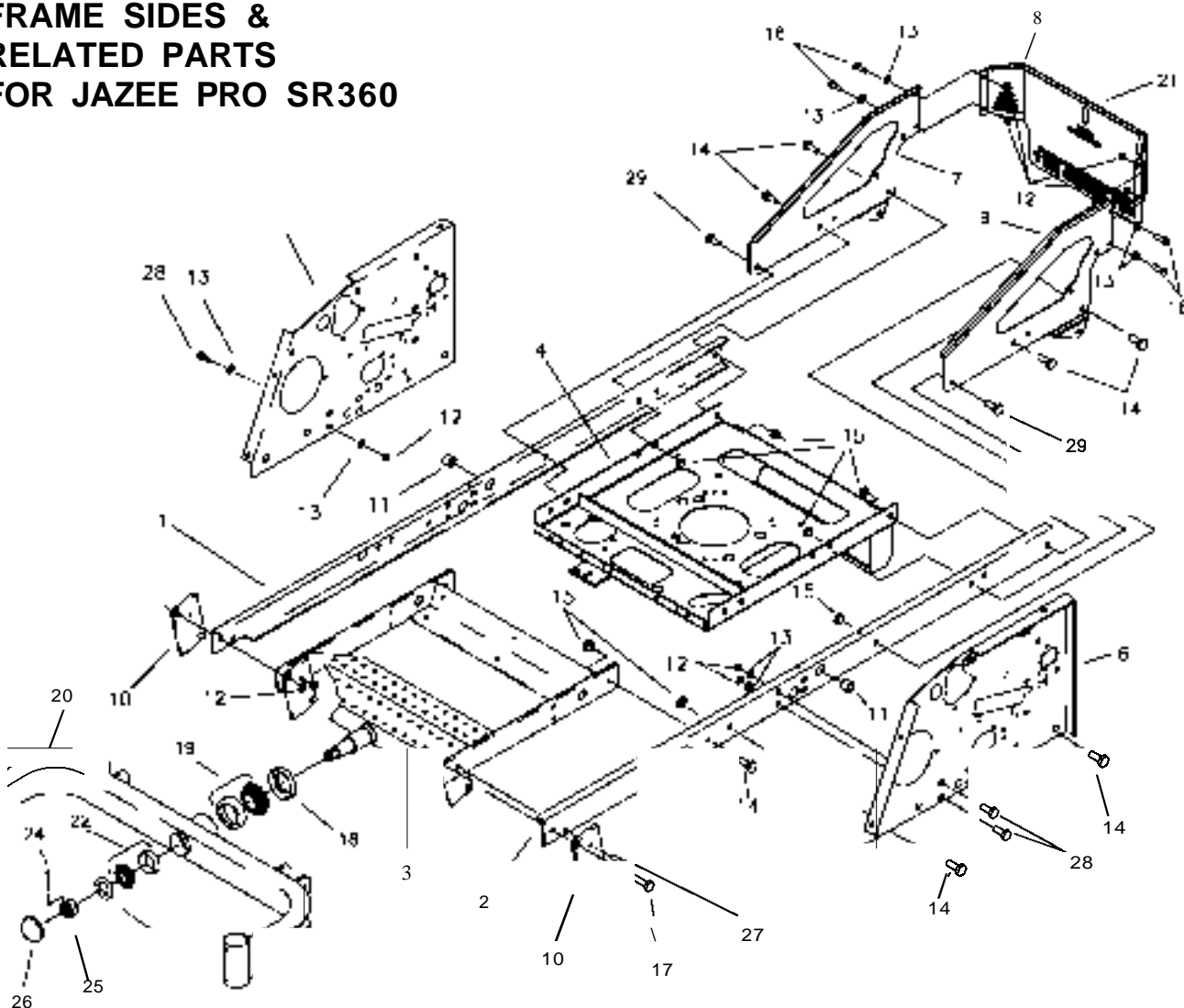
| REF NO. | PART NO.  | QTY. | DESCRIPTION                       |
|---------|-----------|------|-----------------------------------|
| 1       | 659-184W  | 2    | CASTER WELDMENT FOR JAZEE         |
|         | 617-375W  | 2    | CASTER WELDMENT FOR JAZEE PRO     |
| 2       | 622-121P  | 2    | BEARING SPACER                    |
|         | 611-136P  | 2    | BEARING SPACER, JAZEE PRO         |
| 3       | 636-176P  | 2    | BEARING CAP, RED                  |
| 4       | 659-004P  | 4    | BEARING SHIELD                    |
|         | 611-135P  | 4    | BEARING SHIELD, JAZEE PRO         |
| 5       | D-3432    | 4    | BEARING, 5/8 ID X 1-3/8 OD        |
| 6       | P-11384   | 2    | DECAL, 12 PSI                     |
| 7       | D-3605    | 2    | 10" TIRE, W/RIM                   |
|         | D-3574    |      | TIRE, 13" W/ WHEEL, JAZEE PRO     |
| 8       | F-1129    | 2    | 1/2-13 X 8" GR. 5 BOLT            |
| 9       | F-1005-05 | 2    | 1/2-13 LOCK NUT                   |
| 10      | F-1456    | 2    | 3/16" X 2" ROLL PIN               |
| 11      | D-2008-02 | 4    | BEARING, SPD SF-16-32             |
| 12      | F-1009-01 | 2    | 1/4" FLAT WASHER                  |
| 13      | F-1019-01 | 2    | 1/4" LOCK WASHER                  |
| 14      | F-1810    | 2    | 1/4-20 X 3/4 W/NYLON PATCH        |
| 15      | 659-183W  | 1    | FRONT AXLE WELDMENT FOR JAZEE     |
|         | 659-186W  | 1    | FRONT AXLE WELDMENT FOR JAZEE PRO |
|         | 642-185W  | 1    | FRONT AXLE USED w/686C-002A DECK  |
| 16      | H-1056    | 2    | GREASE ZERK                       |
| 17      | 659-185P  | 2    | STOP TAB                          |
| 18      | F-2030    | 4    | 1/4" X 5/8" SELF TAPPING SCREW    |
| 19      | F-1855    | 2    | 3/16" X 1" ROLL PIN               |

### FRAME SIDES & RELATED PARTS FOR JAZEE SR210



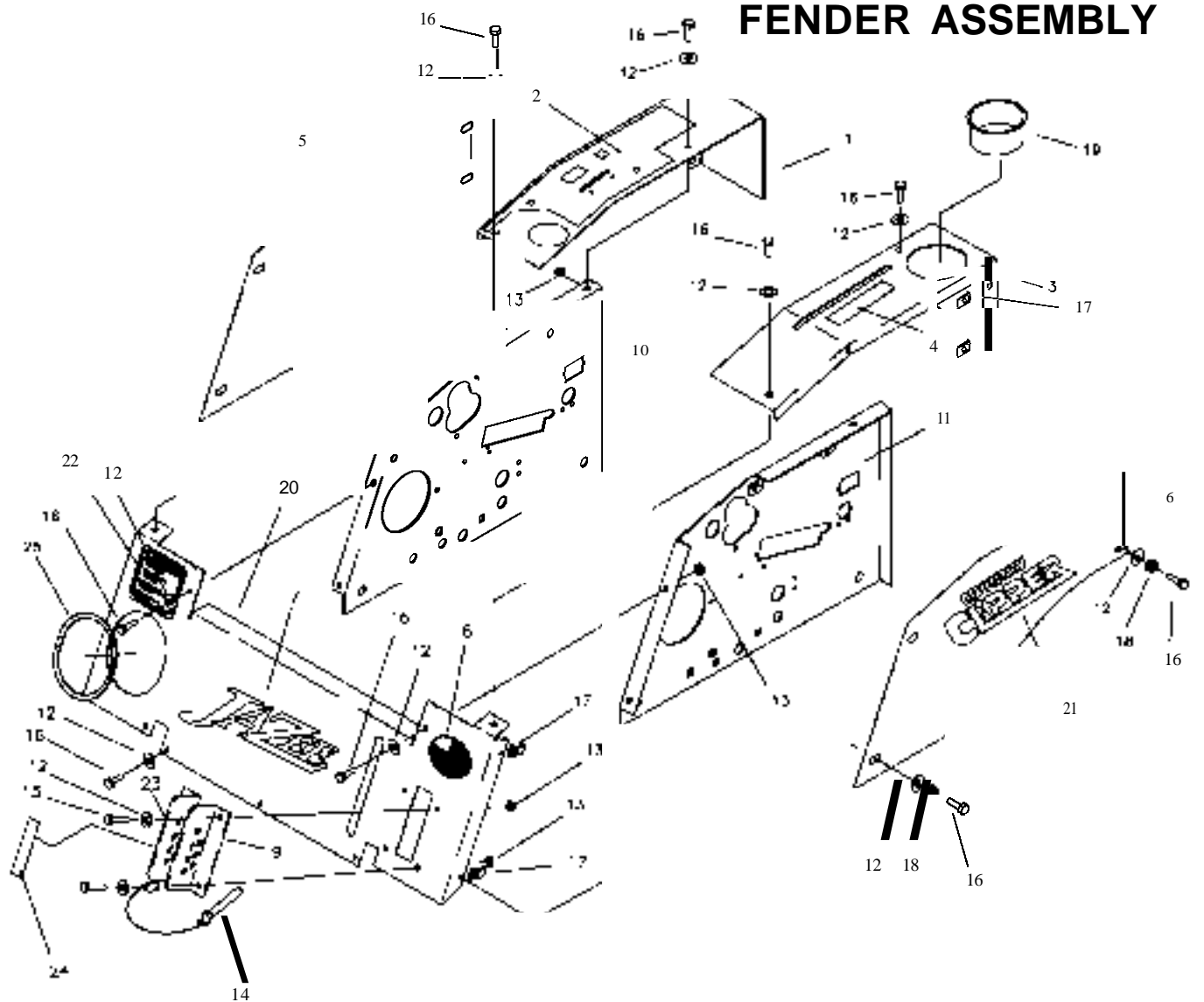
| REF NO. | PART NO.  | QTY. | DESCRIPTION                                    |
|---------|-----------|------|--|
| 1       | 659-021W  | 1    | FRAME SIDE RH.                                 |
| 2       | 659-022W  | 1    | FRAME SIDE LH.                                 |
| 3       | 659-183W  | 1    | AXLE MOUNTING WELDMENT                         |
| 4       | 659-174W  | 1    | MOTOR MOUNT WELDMENT                           |
| 5       | 659-011P  | 1    | SIDE PANEL RH.                                 |
| 6       | 659-012P  | 1    | SIDE PANEL LH.                                 |
| 7       | 659-133P  | 1    | ENGINE GUARD RH SIDE PANEL                     |
| 8       | 647-120P  | 1    | TWIN CYLINDER REAR PANEL (W/ DECAL 647-123A)   |
|         | 659-135P  | 1    | SINGLE CYLINDER REAR PANEL (W/ DECAL 659-164A) |
| 9       | 659-134P  | 1    | ENGINE GUARD LH SIDE PANEL                     |
| 10      | 642-063P  | 4    | DRAG BAR TAB                                   |
| 11      | D-3730    | 2    | BUSHING. 5/8 BORE (JOYSTICK ONLY)              |
| 12      | F-1005-03 | 10   | 3/8-16 STOVER NUT                              |
| 13      | F-1009-03 | 10   | 3/8 FLAT WASHER                                |
| 14      | F-1759    | 4    | 1/2-13 X 1" GR.5                               |
| 15      | F-1005-05 | 16   | 1/2-13 LOCK NUT                                |
| 16      | F-1558    | 6    | 3/8-16 X 7/8" GR.5                             |
| 17      | F-1293    | 2    | 1/2-13 X 2". GR.5                              |
| 18      | P-12097   | 1    | COLORED DECAL, "COUNTRY CLIPPER"               |
| 19      | F-1073    | 2    | 3/8-16 x 2" CAPSCREW                           |
| 20      | F-1394    | 4    | 3/8-16 x 1" CAPSCREW                           |
| 21      | F-1386    | 4    | 1/2-13 x 1-1/4" CAPSCREW                       |

**FRAME SIDES &  
RELATED PARTS  
FOR JAZEE PRO SR360**



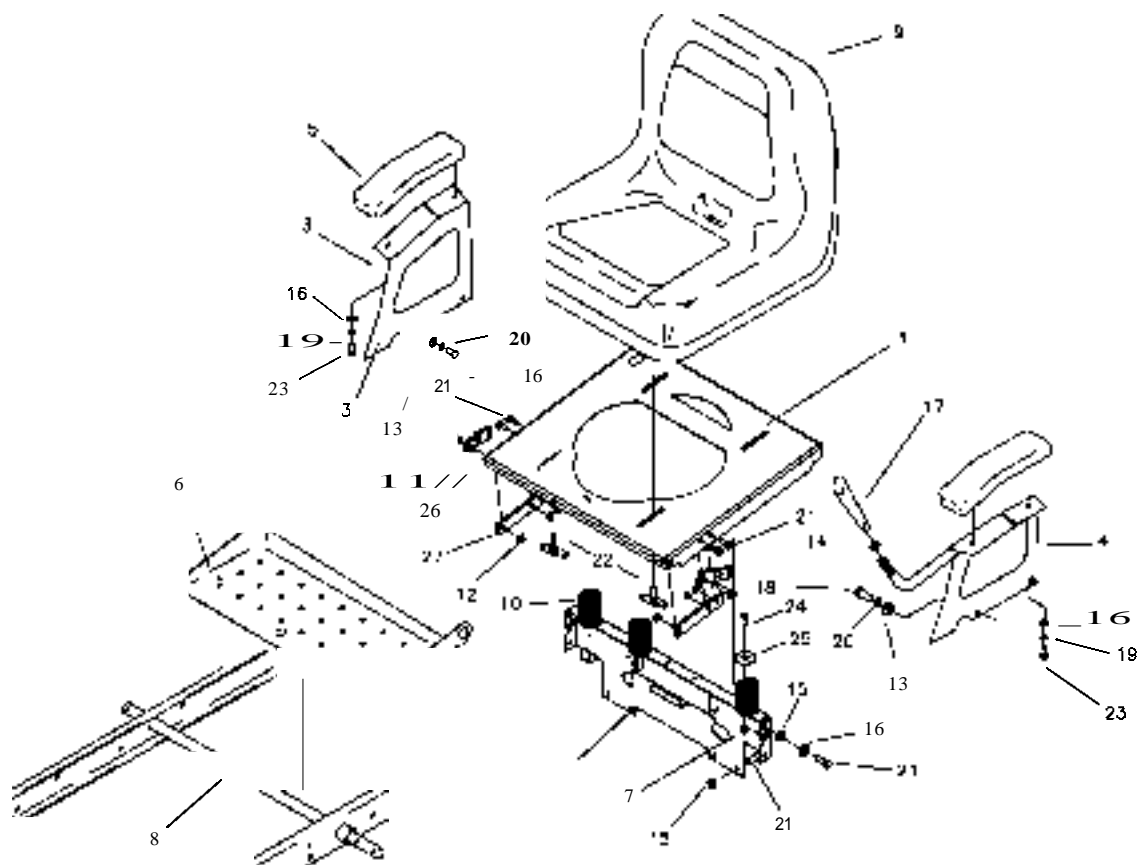
| REF NO. | PART NO.  | QTY. | DESCRIPTION                         | REF NO. | PART NO. | QTY. | DESCRIPTION                       |
|---------|-----------|------|-------------------------------------|---------|----------|------|-----------------------------------|
| 1       | 659-021W  | 1    | FRAME SIDE RH.                      | 17      | F-1293   | 2    | 1/2-13 X 2", GR.5                 |
| 2       | 659-022W  | 1    | FRAME SIDE LH.                      | 18      | 0-3647   | 1    | FRONT PIVOT SEAL                  |
| 3       | 663-029W  | 1    | AXLE MOUNTING WLDT.                 | 19      | 0-3646   | 1    | FRONT PIVOT TAPARED ROLLER 8RG.   |
| 4       | 659-174W  | 1    | MOTOR MOUNT WLDT.                   | 20      | 659-186W | 1    | FRONT AXLE WLDT.                  |
| 5       | 659-011P  | 1    | SIDE PANEL RH.                      | 21      | 642-185W | 1    | FRONT AXLE USED w/686C-002A DECK  |
| 6       | 659-012P  | 1    | SIDE PANEL LH.                      | 22      | P-12097  | 1    | COLORLED DECAL, "COUNTRY CLIPPER" |
| 7       | 659-133P  | 1    | ENGINE GUARD RH SIDE PANEL          | 23      | 0-3782   | 1    | TAPARED ROLLER BRG.               |
| 8       | 647-120P  | 1    | REAR PANEL GUARD (W/DECAL 647-123A) | 24      | 606-303P | 1    | 1" WASHER                         |
| 9       | 659-134P  | 1    | ENGINE GUARD LH SIDE PANEL          | 25      | F-1728   | 1    | 3/16 X 2" COTTER PIN              |
| 10      | 642-063P  | 2    | DRAG BAR TAB                        | 26      | F-1724   | 1    | 1-14 SLOTTED NUT                  |
| 11      | 0-3730    | 2    | BUSHING, 5/8 BORE (JOYSTICK ONLY)   | 27      | H-1924   | 1    | GREASE CAP                        |
| 12      | F-1005-03 | 10   | 3/8-16 STOVER NUT                   | 28      | F-1073   | 2    | 3/8-16 x 2" CAPSCREW              |
| 13      | F-1009-03 | 10   | 3/8 FLAT WASHER                     | 29      | F-1394   | 4    | 3/8-16 x 1" CAPSCREW              |
| 14      | F-1759    | 12   | 1/2-13 X 1" GR.5                    |         | F-1386   | 2    | 1/2-13 x 1-1/4" CAPSCREW          |
| 15      | F-1005-05 | 12   | 1/2-13 LOCK NUT                     |         |          |      |                                   |
| 16      | F-1558    | 4    | 3/8-16 X 7/8" GR.5                  |         |          |      |                                   |

## FENDER ASSEMBLY



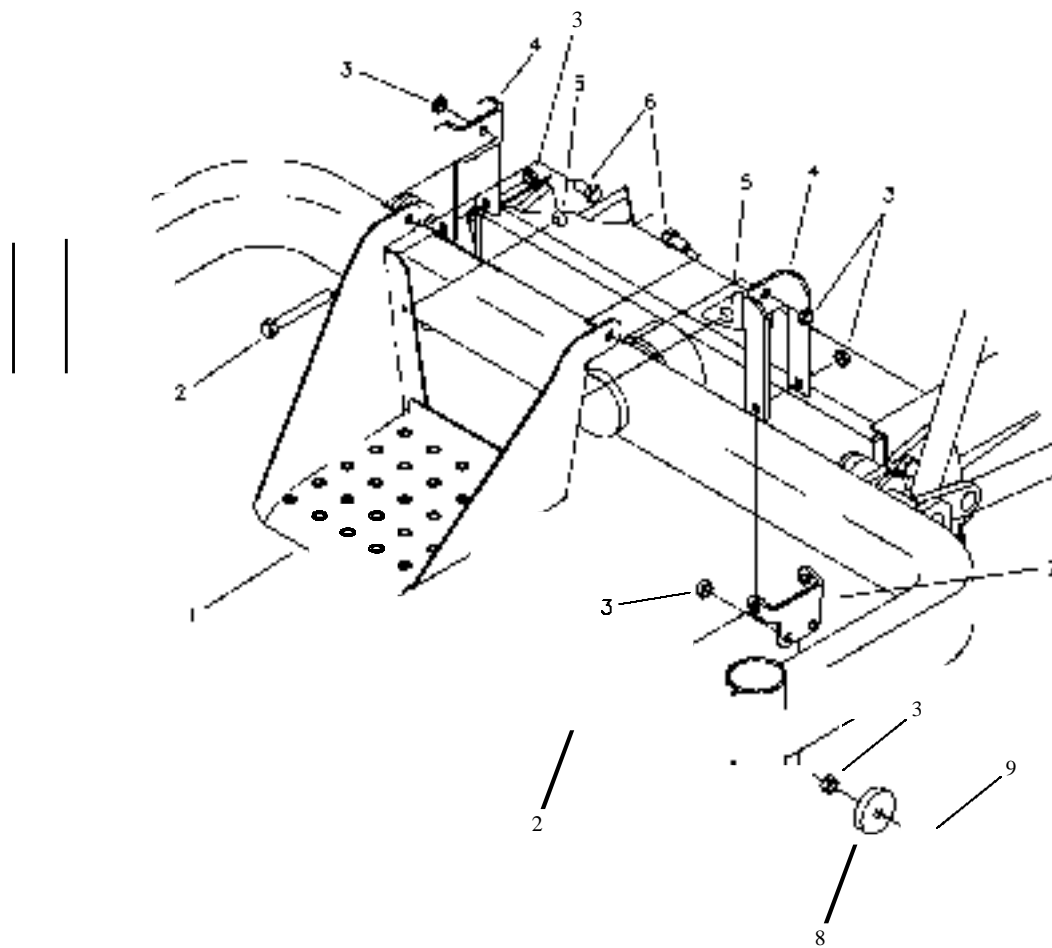
| REF NO. | PART NO.  | QTY. | DESCRIPTION                         | REF NO. | PART NO.  | QTY. | DESCRIPTION                        |
|---------|-----------|------|-------------------------------------|---------|-----------|------|------------------------------------|
|         | 659-166P  | 1    | FENOER CAP RH (W/OECAL 659-067A)    | 16      | F-1015-15 | 18   | 5/16-'8 X 1" GR.5                  |
|         | 659-167P  | 1    | FENDER CAP TS RH(w/DECAL 659-098A)  | 17      | F-1860    | 8    | 5/16 U-NUT                         |
| 2       | P-11626   | 1    | DECAL. "CONTROL PANEL"              | 18      | F-1019-02 | 8    | 5/16 LOCK WASHER                   |
| 3       | 659-017P  | 1    | FENDER CAP LH. (W/DECAL 659-068A)   | 19      | 644-028P  | 1    | CUP HOLDER                         |
|         | 659-090P  | 1    | FENOER CAP TS LH.(w/oECAL 659-097A) | 20      | 659-054P  | 1    | FRONT PANEL (W/JAZEE 659-190A)     |
| 4       | P-11382   | 1    | DECAL. PARK BRAKE                   |         | 659-054P  | 1    | FRONT PANEL (W/JAZEE PRO 659-191A) |
| 5       | 659-023P  | 1    | FENOER SKIRT RH (W/OECAL 659-188A)  | 21      | P-12097   | 2    | DECAL. "COUNTRY CLIPPER"           |
| 6       | 659-023P  | 1    | FENDER SKIRT LH (W/DECAL 659-189A)  | 22      | P-10939   | 1    | DECAL, "CAUTION"                   |
| 7       | P-11624   | 1    | DECAL, JAZEE                        | 23      | 642-130P  | 1    | LATCH PLATE (W/DECAL 642-137A)     |
|         | P-12063   | 1    | DECAL, JAZEE PRO                    | 24      | P-12039   | 1    | DECAL, "CUT HEIGHT"                |
| 8       | P-12253   | 1    | MADE IN THE USA DECAL               | 25      | H-1626    | 1    | "U"-CHANNEL TRIM                   |
| 9       | 642-131 P | 1    | LATCH PLATE LH.                     |         |           |      |                                    |
| 10      | 659-011 P | 1    | SIDE PANEL RH.                      |         |           |      |                                    |
| 11      | 659-012P  | 1    | SIDE PANEL LH.                      |         |           |      |                                    |
| 12      | F-1009-02 | 22   | 5/16 FLAT WASHER                    |         |           |      |                                    |
| 13      | F-1125    | 16   | 5/16-'8 LOCK NUT                    |         |           |      |                                    |
| 14      | F-1807    | 1    | 1/2" X 2.4 CLEVIS PIN W/SASH        |         |           |      |                                    |
| 15      | F-1879    | 4    | 5/16-18 X 1-1/4" GR. 5              |         |           |      |                                    |

# SEAT, FOOTDECK & RELATED PARTS



| REF NO. | PART NO.  | QTY. | DESCRIPTION              | REF NO. | PART NO.  | QTY. | DESCRIPTION          |
|---------|-----------|------|--------------------------|---------|-----------|------|----------------------|
| 1       | 659-005P  | 1    | SEAT MOUNTING BASE       | 16      | F-1009-02 | 8    | 5/16 FLAT WASHER     |
| 2       | 659-136P  | 1    | REAR SEAT BRACE          | 17      | H-2317    | 1    | TAPERED HANDLE       |
| 3       | 659-D51 P | 1    | ARM REST RH. (JOYSTICK)  | 18      | F-1015-23 | 4    | 3/8-16 X 3/4" GR. 5  |
| 4       | 659-D55W  | 1    | ARM REST LH. (JOYSTICK)  | 19      | F-1019-02 | 4    | 5/16 LOCK WASHER     |
|         | 636-163P  | 1    | ARM REST LH. (TWINSTICK) | 20      | F-1019-03 | 4    | 3/8 LOCK WASHER      |
| 5       | 621-143A  | 2    | ARM REST PAD             | 21      | F-1546    | 12   | 5/16-1B X 3/4" GR. 5 |
| 6       | 659-D06P  | 1    | FOOT PANEL               | 22      | 659-D73A  | 4    | T-HANDLE ASSEMBLY    |
| 7       | F-1158    | 3    | 1/4" STOVER NUT          | 23      | F-1015-15 | 4    | 5/16-18 X 1" GR. 5   |
| B       | 620-051 P | 1    | LIFT BAR                 | 24      | F-153B    | 3    | 1/4-20 X 3/4", GR.5  |
| 9       | H-2449    | 1    | SEAT                     | 25      | 620-D50P  | 3    | 1" HEAVY WASHER      |
| 10      | H-1920    | 3    | SEAT SPRING              | 26      | 647-D86P  | 2    | FLIP SEAT MATING TAB |
| 11      | F-1394    | 2    | 3/8-16 X 1 1/4" GR. 5    | 27      | 659-175P  | 2    | SEAT HINGE TAB       |
| 12      | F-1005-03 | 2    | 3/8-16 LOCK NUT          |         |           |      |                      |
| 13      | F-1009-03 | 4    | 3/8 FLAT WASHER          |         |           |      |                      |
| 14      | F-1486    | 1    | 3/8-16 JAM NUT           |         |           |      |                      |
| 15      | F-1125    | 12   | 5/16-18 LOCK NUT         |         |           |      |                      |

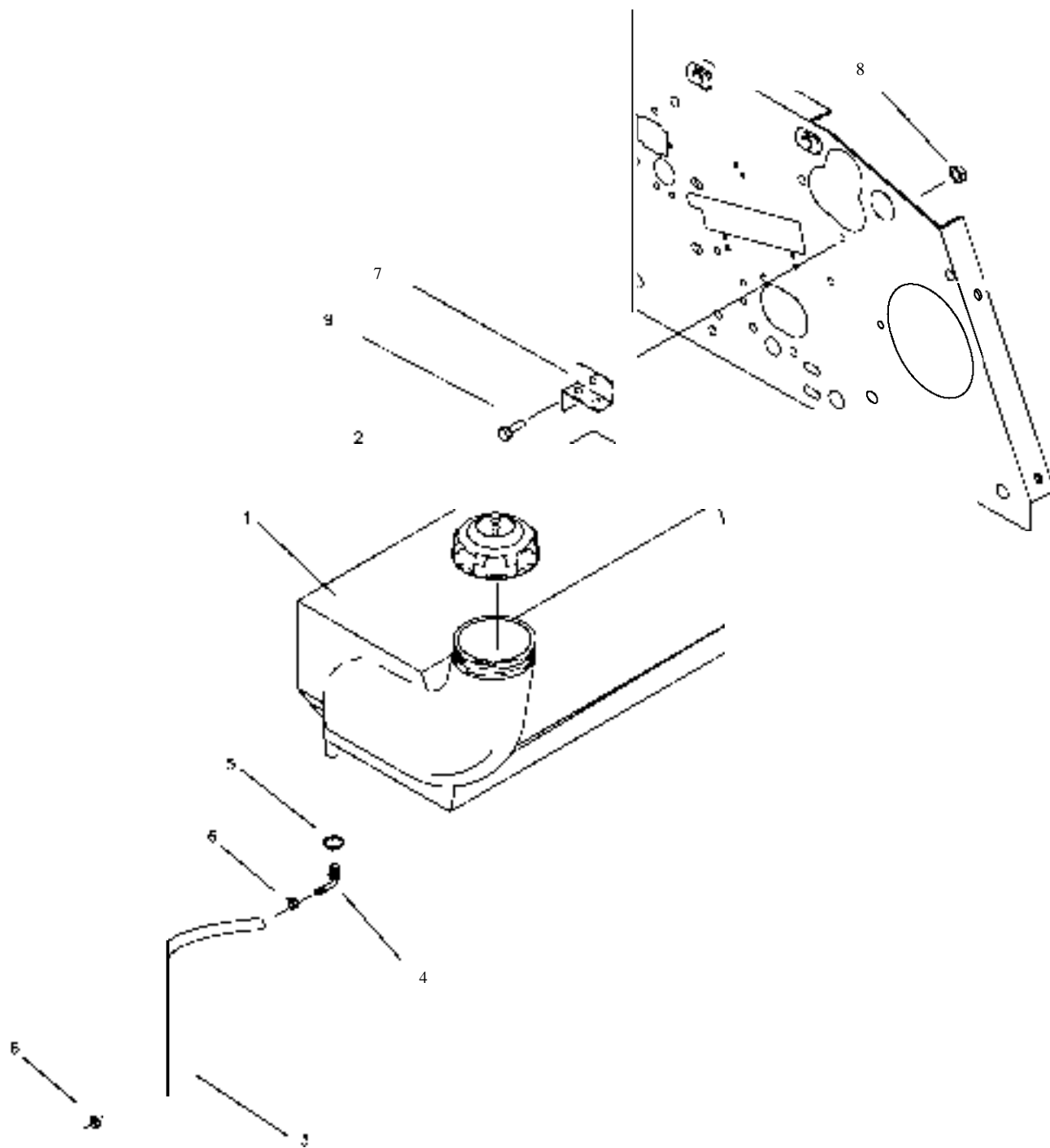
# FRONT STEP ASSEMBLY FOR JAZEE PRO SR360



| REF NO. | PART NO.  | QTY. | DESCRIPTION          |
|---------|-----------|------|----------------------|
| 1       | 647-133P  | 1    | FRONT STEP           |
| 2       | F-1616    | 2    | 3/8-16 X 3-1/4" BOLT |
| 3       | F-1005-03 | 8    | 3/8-16 LOCK NUT      |
| 4       | 647-134P  | 2    | FRONT STEP YOKE      |
| 5       | H-2461    | 2    | RUBBER BUMPER BUTTON |
| 6       | F-1015-23 | 2    | 3/8-16 X 3/4" BOLT   |
| 7       | 629-636P  | 2    | ROLLER MOUNT         |
| 8       | 642-105P  | 2    | ROLLER               |
| 9       | F-1307    | 2    | 3/8-16 X 1-1/4" BOLT |



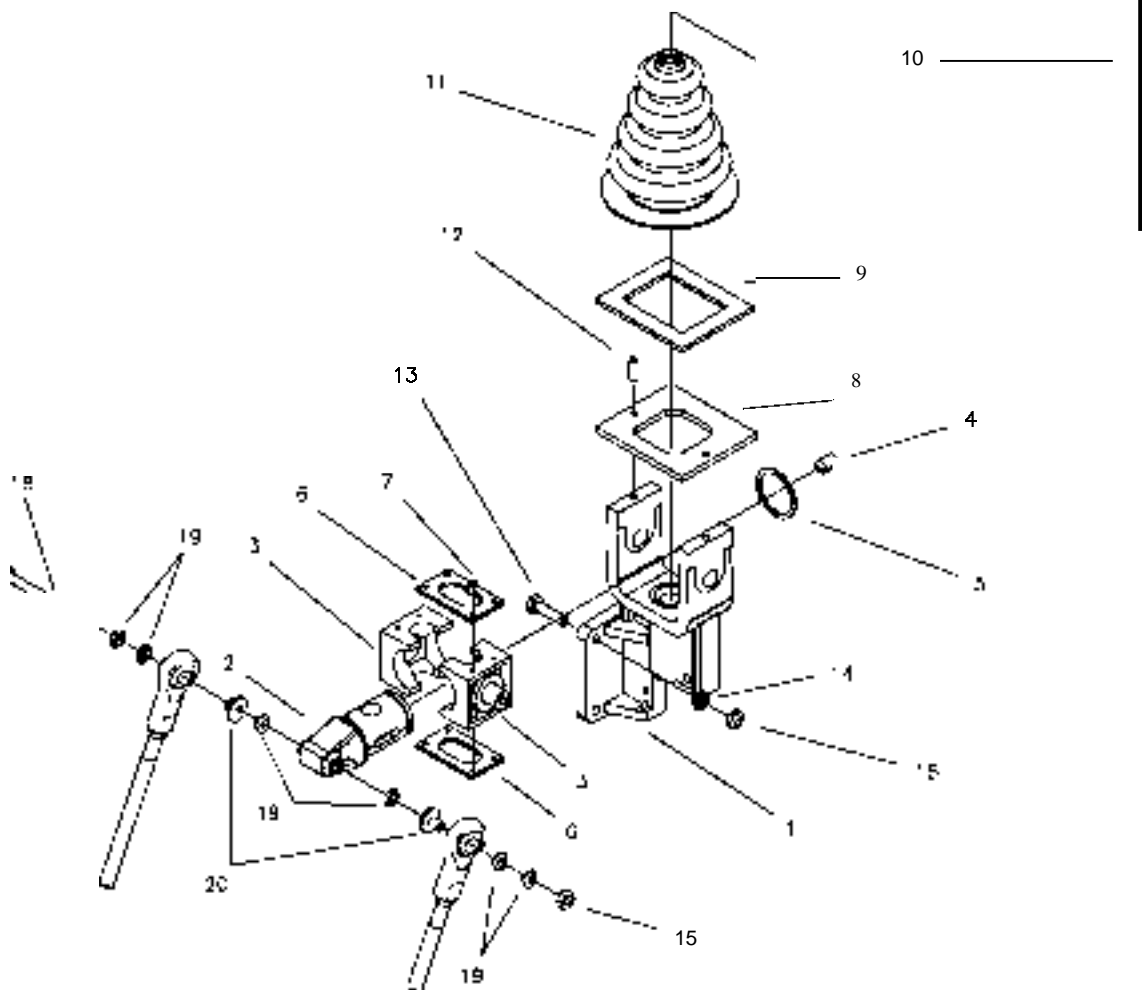
# FUEL TANK ASSEMBLY



| REF NO. | PART NO.  | QTY. | DESCRIPTION         |
|---------|-----------|------|---------------------|
| 1       | H-2394    | 1    | 4 1/2 GALLON TANK   |
| 2       | H-2232    | 1    | GAS CAP             |
| 3       | H-1648    | 1    | FUEL LINE           |
| 4       | H-1646    | 1    | HOSE BARB, 90 DEG.  |
| 5       | H-1952    | 1    | HOSE CLAMP          |
| 6       | H-1687    | 2    | HOSE CLAMP, 1/2"    |
| 7       | 659-066P  | 1    | TANK MOUNTING CLAMP |
| 8       | F-1158    | 1    | 1/4-20 STOVER NUT   |
| 9       | F-1015-03 | 1    | 1/4-20 X 3/4, GR.5  |

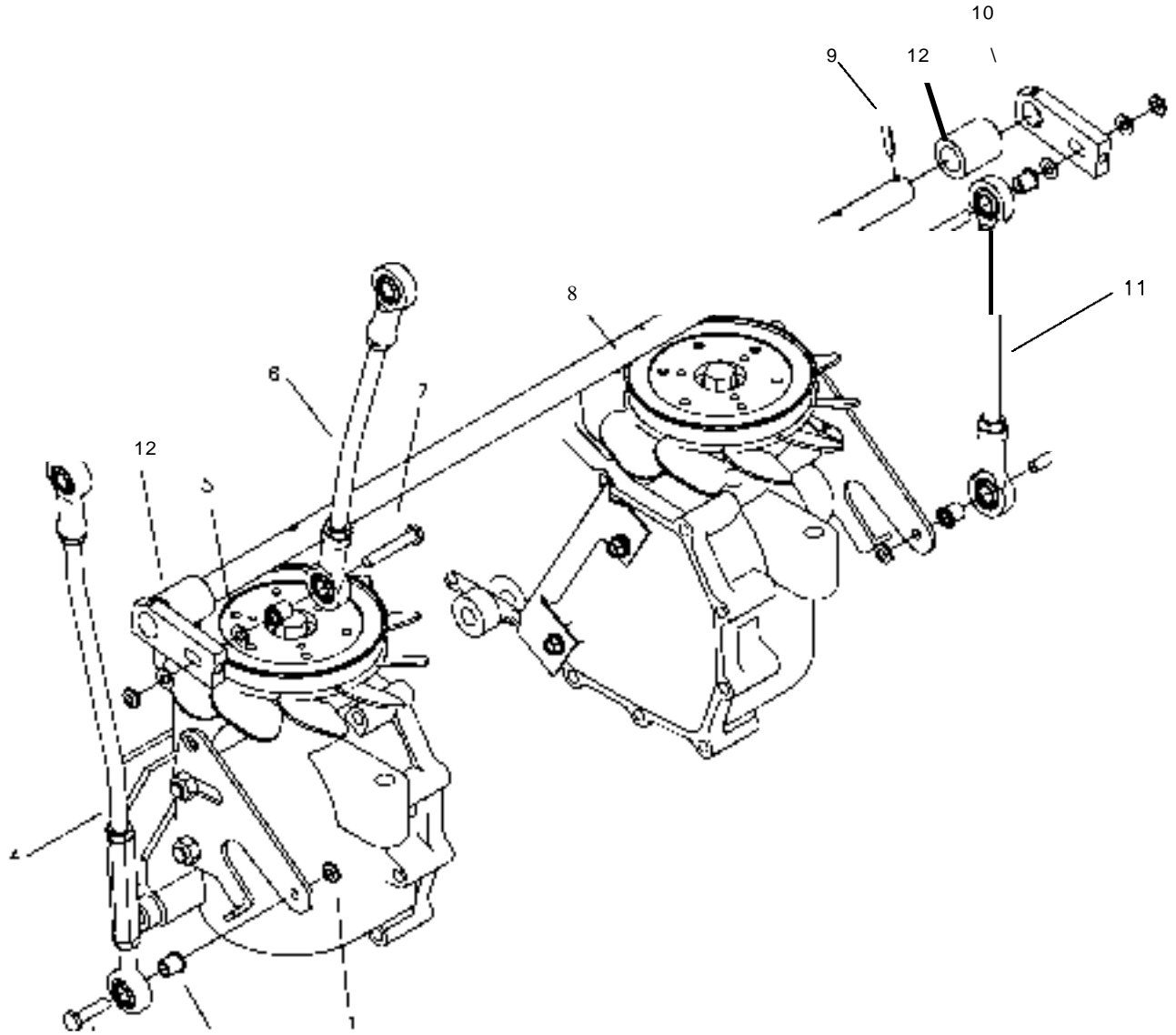
# JOYSTICK STEERING CONTROL AND RELATED PARTS

NOTE: ITEMS #2 AND #3 MUST BE REPLACED AT THE SAME TIME FOR MAXIMUM PERFORMANCE.



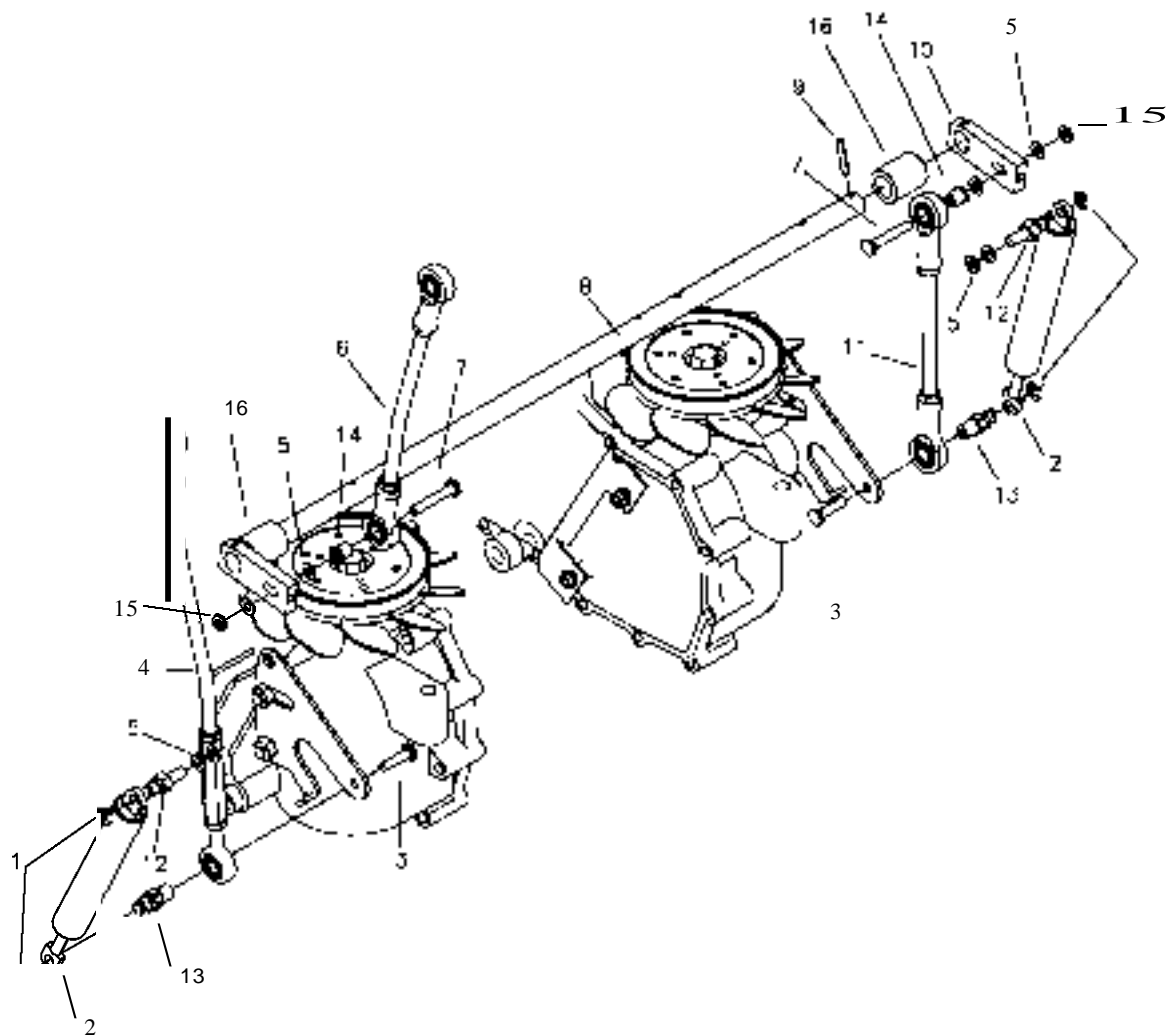
| REF NO. | PART NO. | QTY. | DESCRIPTION             | REF NO. | PART NO.  | QTY. | DESCRIPTION            |
|---------|----------|------|-------------------------|---------|-----------|------|------------------------|
|         | 647-122A | 1    | JOYSTICK ASSEMBLY       | 11      | H-1991    | 1    | BOOT, BELLOWS          |
| 1       | 659-144P | 1    | JOYSTICK YOKE           | 12      | F-1999    | 2    | ROLL PIN, 3/16 X 5/8   |
| 2       | H-1992   | 1    | PIVOT SHAFT             | 13      | F-1015-05 | 3    | 1/4-20 X 1" HHCS GR. 5 |
| 3       | H-1993   | 2    | PIVOT BLOCK             | 14      | F-1019-01 | 3    | 1/4" LOCK WASHER       |
| 4       | F-1120   | 1    | BALL PLUNGER            | 15      | F-1158    | 4    | 1/4" LOCK NUT          |
| 5       | H-1997   | 1    | SNAP RING, SPIRLOCK     | 16      | F-1011-03 | 1    | 3/8-16 NUT, JAM        |
| 6       | 619-306P | 2    | PIVOT BLOCK PLATE       | 17      | H-2317    | 1    | GRIP, HANDLE           |
| 7       | F-1624   | 8    | #6-32 X 3/8" SCREW SLOT | 18      | F-102D-01 | 1    | 1/2-20 X 3-1/2" GR. 5  |
| 8       | 659-129P | 1    | JOYSTICK TOP PLATE      | 19      | H-1989    | 6    | BUSHING, BALL JOINT    |
| 9       | H-1947   | 1    | GASKET, FOAM            | 20      | H-2465    | 2    | 1/4" SPACER            |
| 10      | 621-140A | 1    | JOYSTICK SHAFT ASSEMBLY |         |           |      |                        |

## JOYSTICK STEERING CONTROL AND RELATED PARTS FOR JAZEE SR210



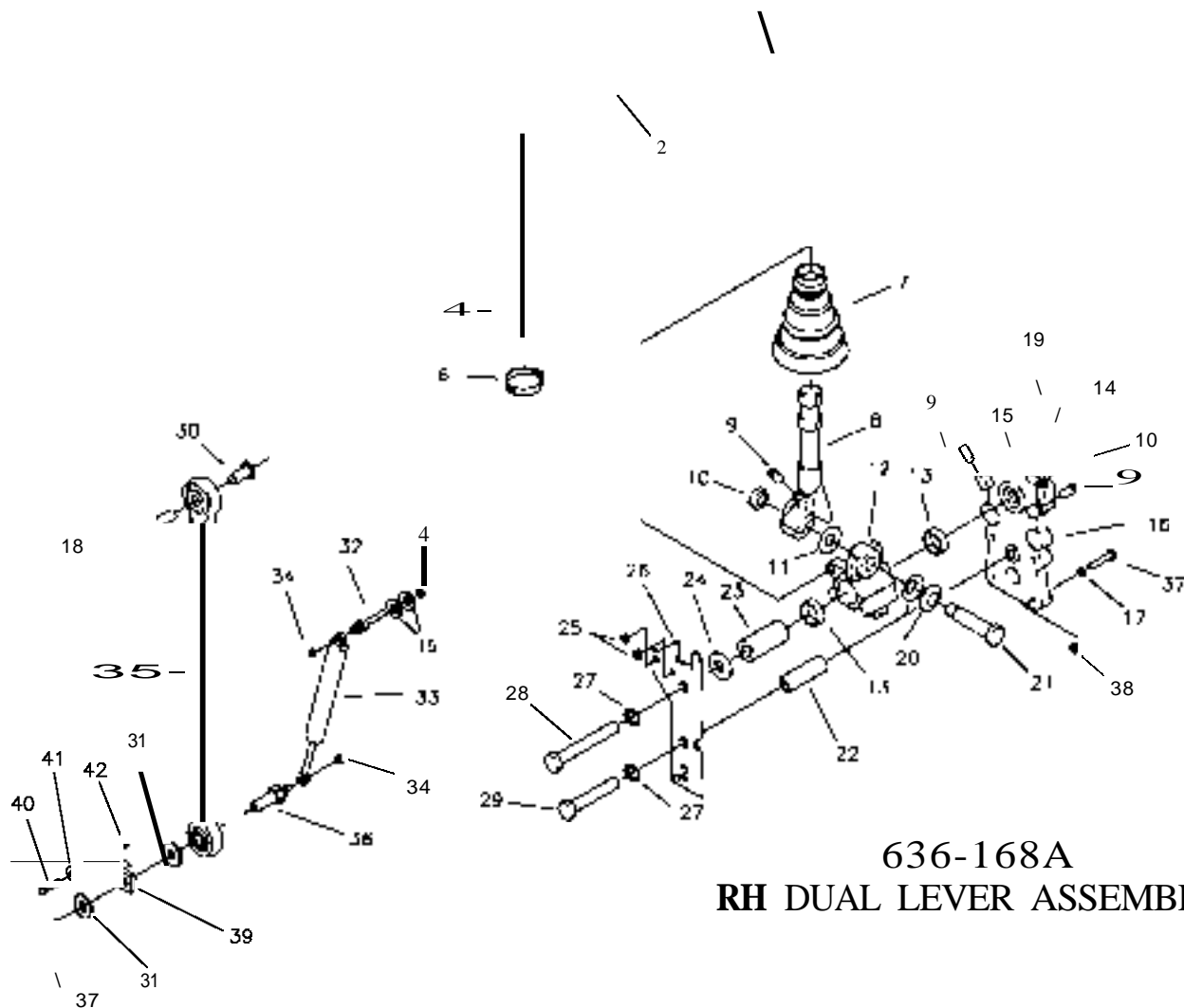
| REF NO. | PART NO.  | QTY. | DESCRIPTION               |
|---------|-----------|------|---------------------------|
| 1       | F-1158    | 4    | 1/4-20 LOCK NUT           |
| 2       | H-2465    | 4    | 1/2 X 1/4" SHOULDERWASHER |
| 3       | F-1015-05 | 2    | 1/4-20 X 1"               |
| 4       | 663-050P  | 1    | STEERING LINKAGE          |
| 5       | F-1009-02 | 4    | 1/4" FLAT WASHER          |
| 6       | 663-049P  | 1    | UPPER STEERING LINKAGE    |
| 7       | F-1716    | 2    | 1/4-20 X 1 1/2"           |
| 8       | 659-026P  | 2    | HYORO SHAFT ROD           |
| 9       | F-1503    | 2    | ROLL PIN 3/16 X 1"        |
| 10      | 625-030P  | 2    | SWIVEL ARM                |
| 11      | 659-127P  | 1    | LOWER STEERING LINKAGE    |
| 12      | 651-024P  | 2    | SPACER                    |

## JOYSTICK STEERING CONTROL AND RELATED PARTS FOR JAZEE PRO SR360



| REF NO. | PART NO.  | QTY. | DESCRIPTION                 |
|---------|-----------|------|-----------------------------|
| 1       | F-1610    | 4    | RETAINING RING, INTERNAL    |
| 2       | H-2467    | 2    | DUAL ACTION DAMPER          |
| 3       | F-1015-03 | 2    | 1/4-20 X 1"                 |
| 4       | 663-050P  | 1    | STEERING LINKAGE            |
| 5       | F-1009-02 | 8    | 1/4" FLAT WASHER            |
| 6       | 663-049P  | 1    | UPPER STEERING LINKAGE      |
| 7       | F-1716    | 2    | 1/4-20 X 1 1/2"             |
| 8       | 659-026P  | 2    | HYORO SHAFT ROD             |
| 9       | F-1503    | 2    | ROLL PIN 3/16 X 1"          |
| 10      | 625-030P  | 2    | SWIVEL ARM                  |
| 11      | 659-127P  | 1    | LOWER STEERING LINKAGE      |
| 12      | 638-028P  | 2    | DAMPER BOLT, 5/16-18 X 3/4" |
| 13      | 663-051 P | 2    | DAMPER STUD, FEMALE         |
| 14      | H-2465    | 2    | 1/2 X 1/4" SHOULDER WASHER  |
| 15      | F-1158    | 2    | 1/4" STOVER LOCK NUT        |
| 16      | 651-024P  | 2    | SPACER                      |

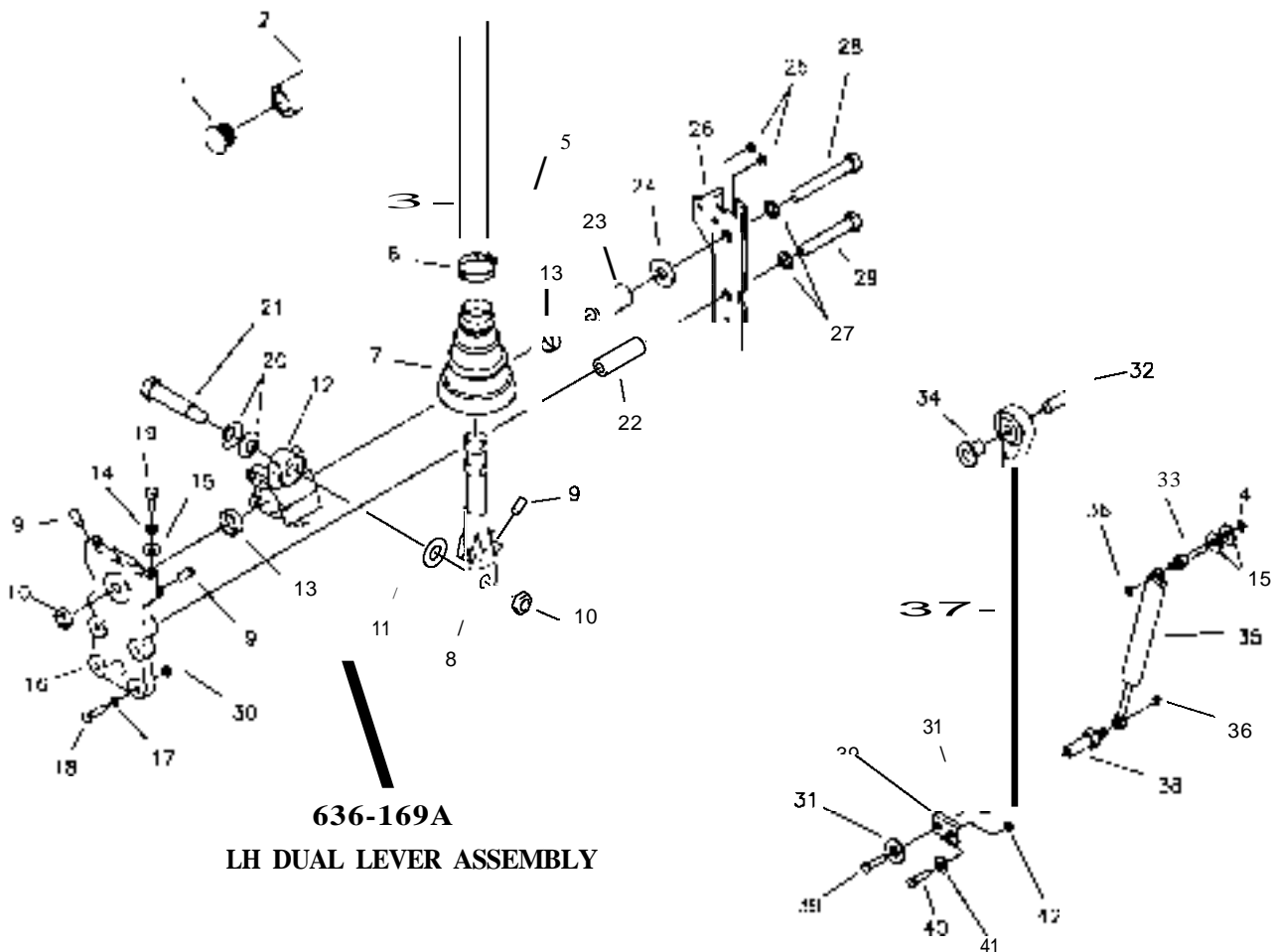
## RIGHT HAND STEERING CONTROL AND RELATED PARTS



636-168A  
RH DUAL LEVER ASSEMBLY

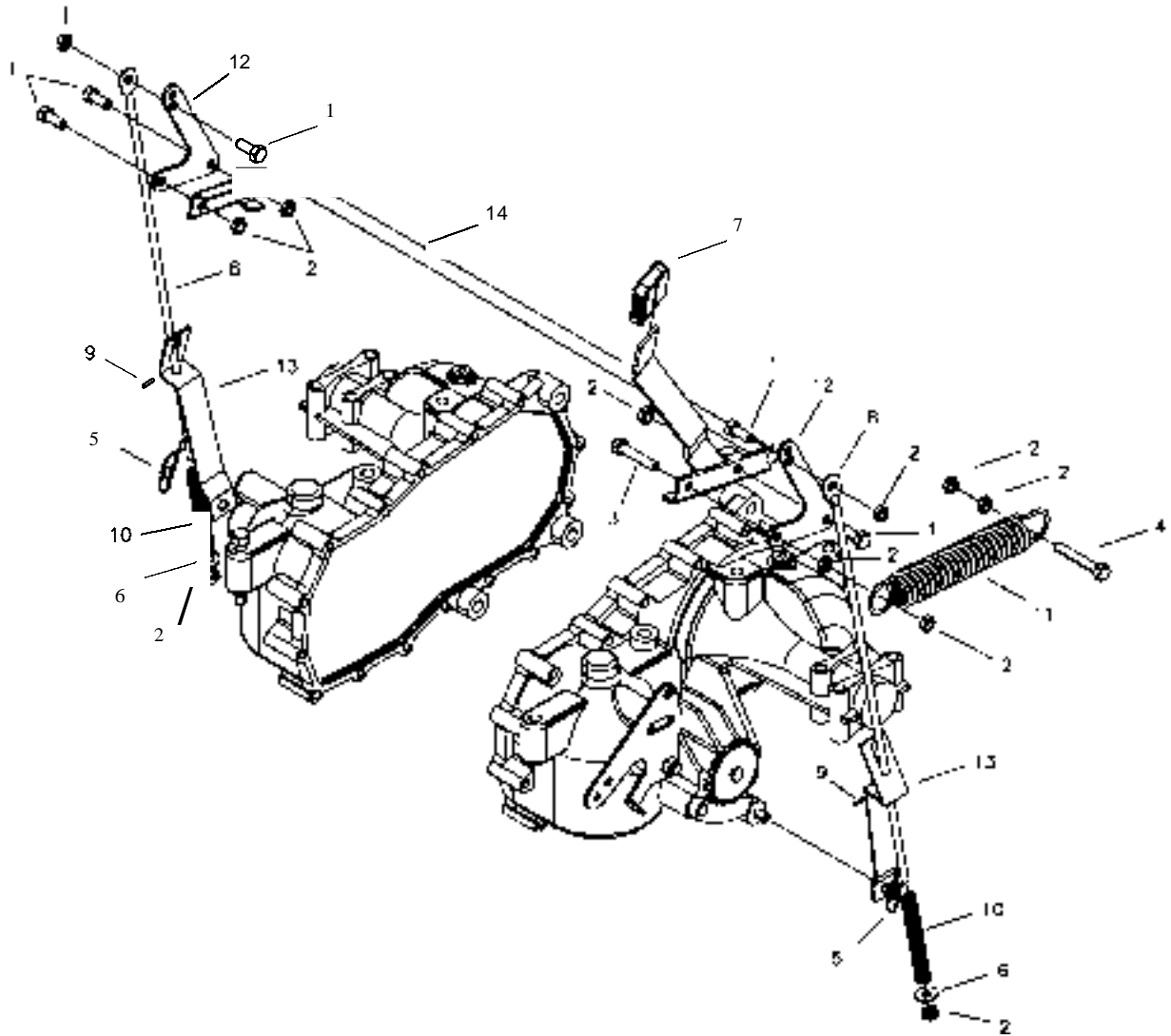
| REF NO. | PART NO.  | QTY. | DESCRIPTION                 | REF NO. | PART NO.  | QTY. | DESCRIPTION                 |
|---------|-----------|------|-----------------------------|---------|-----------|------|-----------------------------|
| 1       | H-2080    | 1    | END PLUG. 15 16 BLACK       | 23      | 625-D64P  | 1    | BUSHING, PIVOT BLOCK        |
| 2       | H-2079    | 1    | FOAM GRIP, 17"              | 24      | 625-072P  | 1    | WASHER, FLAT                |
| 3       | 636-170P  | 1    | CONTROL LEVER               | 25      | F-1995    | 2    | GROMMET. NYLON              |
| 4       | F-1125    | 3    | 5/16 LOCK NUT               | 26      | 636-167P  | 1    | TOP PLATE. DUALEVER         |
| 5       | F-1015-17 | 2    | 5/16-18 X 1-1/2" HHCS GR. 5 | 27      | F-1464    | 2    | 1/2" LOCK WASHER            |
| 6       | H-2089    | 1    | HOSE CLAMP                  | 28      | F-1828    | 1    | 1/2-13 X 3-1/2" HHCS GR. 5  |
| 7       | H-2081    | 1    | BOOT, TAPERED 1" CUFF       | 29      | F-1439    | 1    | 1/2-13 X 3" HHCS GR. 5      |
| 8       | 625-063P  | 1    | LEVER, DUALEVER             | 30      | H-2465    | 1    | 1/2 X 1/4" SHOULDER WASHER  |
| 9       | F-1842    | 3    | SETSCREW, 5/16-18 X 3/4"    | 31      | F-1009-01 | 2    | 1/4" FLAT WASHER            |
| 10      | F-1489    | 2    | 1/2-13 JAM NUT              | 32      | 638-028P  | 1    | DAMPER BOLT, 5/16-18 X 3/4" |
| 11      | H-2116    | 1    | WASHER, FIBER               | 33      | H-2168    | 1    | STEERING DAMPER             |
| 12      | 638-033P  | 1    | PIVOT BLOCK, DUALEVER       | 34      | F-161D    | 2    | E-RING FOR 1/4" SHAFT       |
| 13      | D-3622    | 2    | BEARING                     | 35      | 663-D50P  | 1    | LINK ROD ASSEMBLY           |
| 14      | F-1D19-02 | 2    | 5/16" LOCK WASHER           | 36      | 663-051P  | 1    | DAMPER BOLT, 1/4-20 FEMALE  |
| 15      | F-1D09-02 | 4    | WASHER, FLAT STD. 5/16"     | 37      | F-1539    | 3    | 1/4-20 X 1-1/4" HHCS GR. 5  |
| 16      | 638-034P  | 1    | BASE DUALEVER               | 38      | F-1158    | 3    | 1/4-20 LOCK NUT             |
| 17      | F-1019-01 | 11   | 1/4" LOCK WASHER            | 39      | 659-180P  | 1    | TRACKING ADJUSTMENT ADAPTER |
| 18      | F-1974    | 1    | 1/4-20 X 1-1/4" SOCK HD     | 4D      | F-1015-23 | 1    | 3/8-16 X 3/4" CAPSCREW      |
| 19      | F-1546    | 1    | 5/16-18 X 3/4" HHCS GR. 5   | 41      | F-1009-03 | 1    | 3/8" FLAT WASHER            |
| 20      | H-2115    | 2    | WASHER. SPRING              | 42      | F-1005-03 | 1    | 3/8-16 LOCK NUT             |
| 21      | 625-07DP  | 1    | SHOULDER BOLT, 5/8" OD      |         |           |      |                             |
| 22      | 625-067P  | 1    | BUSHING STAND OFF           |         |           |      |                             |

# LEFT HAND STEERING CONTROL AND RELATED PARTS



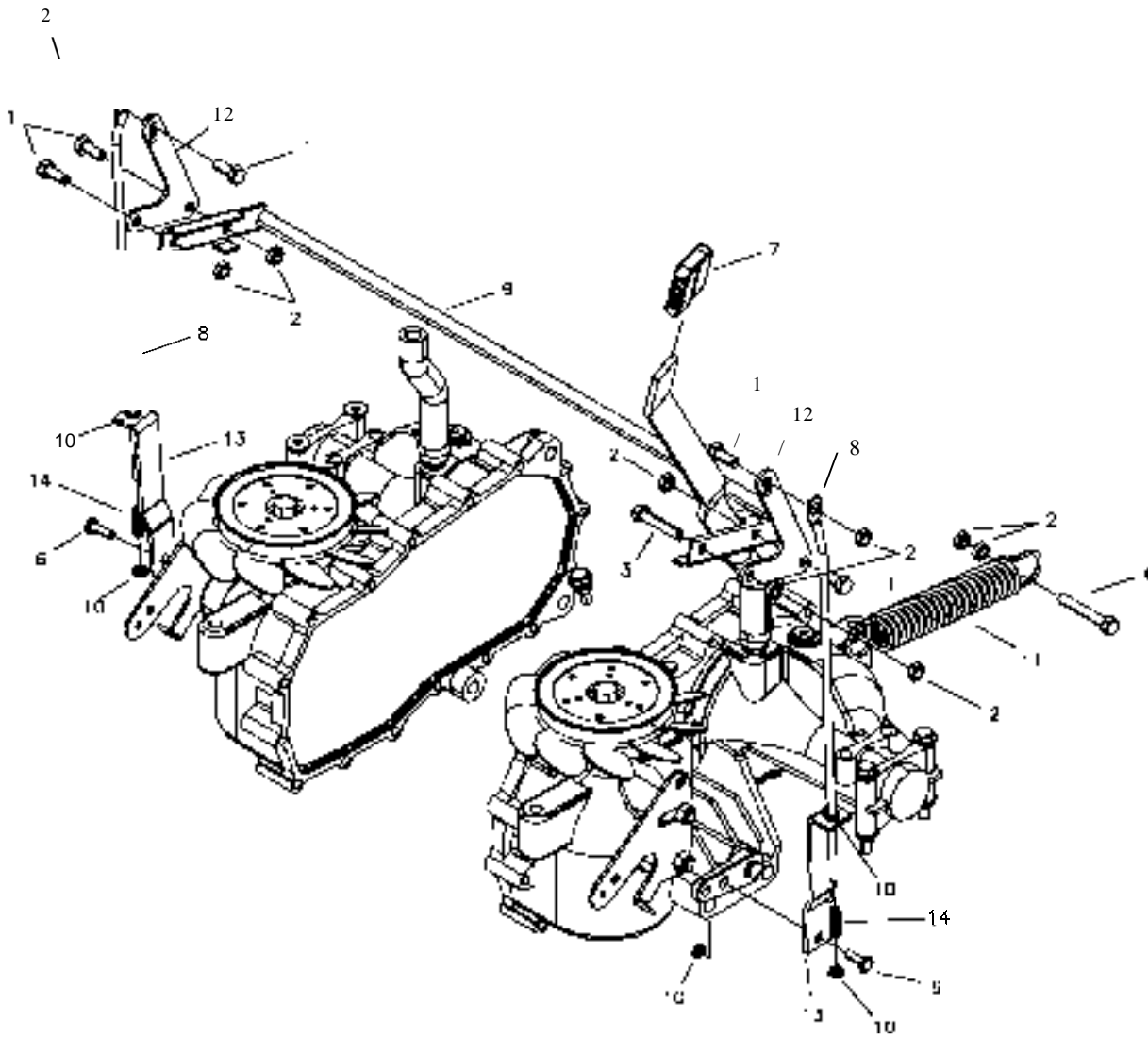
| REF NO. | PART NO.  | QTY. | DESCRIPTION                 | REF NO. | PART NO.  | QTY. | DESCRIPTION                   |
|---------|-----------|------|-----------------------------|---------|-----------|------|-------------------------------|
| 1       | H-2080    | 1    | ENO PLUG, 15/16" BLACK      | 22      | 625-067P  | 1    | BU5HING, 5TAND OFF            |
| 2       | H-2079    | 1    | FOAM GRIP, 17"              | 23      | 625-064P  | 1    | BUSHING, PIVOT BLOCK          |
| 3       | 363-170P  | 1    | CONTROL LEVER               | 24      | 625-072P  | 1    | WASHER, FLAT                  |
| 4       | F-1125    | 3    | 5/16 LOCK NUT               | 25      | F-1995    | 2    | GROMMET. NYLON                |
| 5       | F-1015-17 | 2    | 5/16-18 X 1-1/2" HHCS GR, 5 | 26      | 636-167P  | 1    | TOP PLATE, DUALEVER           |
| 6       | H-2089    | 1    | HOSE CLAMP                  | 27      | F-1464    | 2    | 1/2" LOCK WASHER              |
| 7       | H-2081    | 1    | BOOT, TAPERED 1" CUFF       | 28      | F-1828    | 1    | 1/2-13 X 3-1/2" HHCS GR, 5    |
| 8       | 625-063P  | 1    | LEVER, DUALEVER             | 29      | F-1439    | 1    | 1/2-13 X 3" HHCS GR, 5        |
| 9       | F-1842    | 3    | SETScrew, 5/16-18 X 3/4"    | 30      | F-1158    | 3    | 1/4-20 LOCK NUT               |
| 10      | F-1489    | 2    | 1/2-13 JAM NUT              | 31      | F-1009-01 | 2    | 1/4" FLAT WASHER              |
| 11      | H-2116    | 1    | WASHER, FIBER               | 32      | F-1974    | 1    | 1/4-20 X 1-1/4" SOCKHEAD BOLT |
| 12      | 638-033P  | 1    | PIVOT BLOCK, DUALEVER       | 33      | 638-028P  | 2    | DAMPER BOLT, 5/16-18 X 3/4"   |
| 13      | D-3622    | 2    | BEARING                     | 34      | H-2465    | 1    | SHOULDER WASHER               |
| 14      | F-1019-02 | 3    | 5/16" LOCK WASHER           | 35      | H-2168    | 1    | STEERING DAMPER               |
| 15      | F-1009-02 | 5    | WASHER, FLAT STD. 5/16"     | 36      | F-1610    | 2    | E-RING FOR 1/4" SHAFT         |
| 16      | 638-034P  | 1    | BASE DUALEVER               | 37      | 663-050P  | 1    | STEERING LINKAGE              |
| 17      | F-1019-01 | 11   | 1/4" LOCK WASHER            | 38      | 663-051 P | 1    | DAMPER BOLT, 1/4-20 FEMALE    |
| 18      | F-1539    | 3    | 1/4-20 X 1-1/4" HHCS GR. 5  | 39      | 659-180P  | 1    | TRACKING ADJUSTMENT ADAPTER   |
| 19      | F-1546    | 1    | 5/16-18 X 3/4" HHCS GR. 5   | 40      | F-1015-23 | 1    | 3/8-16 X 3/4" CAPSCREW        |
| 20      | H-2115    | 2    | WASHER, SPRING              | 41      | F-1009-03 | 1    | 3/8 FLAT WASHER               |
| 21      | 625-070P  | 1    | SHOULDER BOLT, 5 8" OD      | 42      | F-1005-03 | 1    | 3/8-16 LOCK NUT               |

# PARKING BRAKE ASSEMBLY & RELATED PARTS FOR JAZEE SR210



| REF NO. | PART NO.  | QTY. | DESCRIPTION                   |
|---------|-----------|------|-------------------------------|
| 1       | F-1546    | 5    | 5/16-18 X 3/4" GR. 5          |
| 2       | F-1125    | 11   | 5/16" STOVER LOCK NUT         |
| 3       | F-1015-17 | 1    | 5/16-18 X 1-1/2" GR. 5        |
| 4       | F-1015-19 | 1    | 5/16-18 X 2" GR. 5            |
| 5       | F-1492    | 2    | RUE RING, 5/16-3/8 PIN        |
| 6       | F-1009-D2 | 2    | 5/16" FLAT WASHER             |
| 7       | H-1926    | 1    | GRIP, HANDLE, 1/4" X 1"       |
| 8       | H-2206    | 2    | BRAKE LINK ROD                |
| 9       | H-1800    | 2    | ROLL PIN 3/32 00 X 3/8 LONG   |
| 10      | H-2426    | 2    | SPRING, 3.69 X .372 10 X .064 |
| 11      | H-1635    | 1    | SPRING, EXT. 3/4 X 4" OAL     |
|         | 659-143P  | 1    | SHIFT PLATE                   |
|         | 659-013P  | 2    | LOWER BRAKE LINK              |
|         | 659-010W  | 1    | BRAKE ROD WELDMENT            |

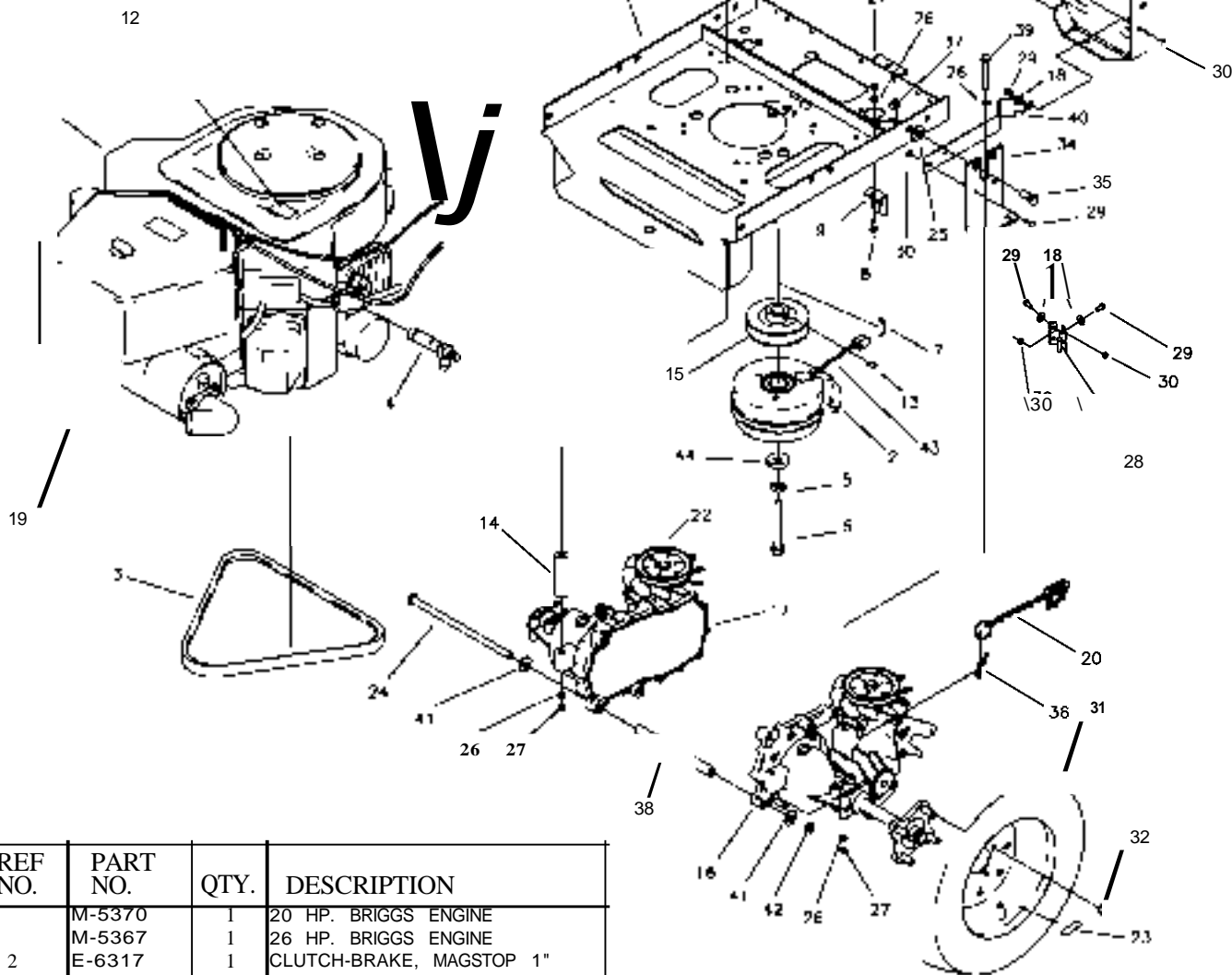
# PARKING BRAKE ASSEMBLY & RELATED PARTS FOR JAZEE PRO SR360



| REF NO. | PART NO.  | QTY. | DESCRIPTION               |
|---------|-----------|------|---------------------------|
| 1       | F-1546    | 5    | 5/16-18 X 3/4" GR. 5      |
| 2       | F-1125    | 9    | 5/16" STOVER LOCK NUT     |
| 3       | F-1015-17 | 1    | 5/16-18 X 1-1/2" GR. 5    |
| 4       | F-1015-19 | 1    | 5/16-18 X 2" GR. 5        |
| 5       | F-1492    | 2    | RUE RING, 5/16-3/8 PIN    |
| 6       | F-1538    | 2    | 1/4-20 X 3/4" GR. 5       |
| 7       | H-1926    | 1    | GRIP, HANDLE, 1/4" X 1"   |
| 8       | H-2452    | 2    | BRAKE LINK BAR, BENT      |
| 9       | 659-010W  | 1    | BRAKE ROD WELDMENT        |
| 10      | F-1158    | 6    | 1/4" STOVER LOCK NUT      |
| 11      | H-1635    | 1    | SPRING, EXT. 3/4 X 4" OAL |
| 12      | 659-143P  | 1    | SHIFT PLATE               |
| 13      | 659-159P  | 2    | LOWER BRAKE LINK          |
| 14      | H-1637    | 2    | COMPRESSION SPRING        |



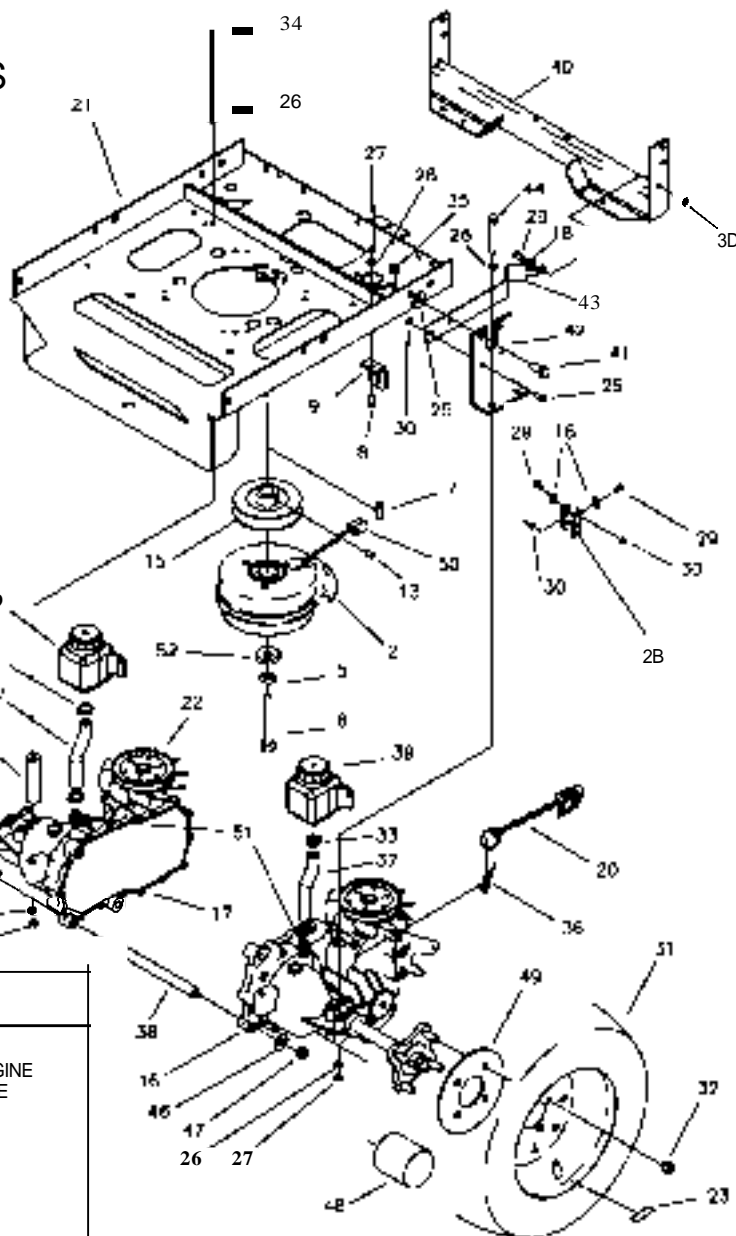
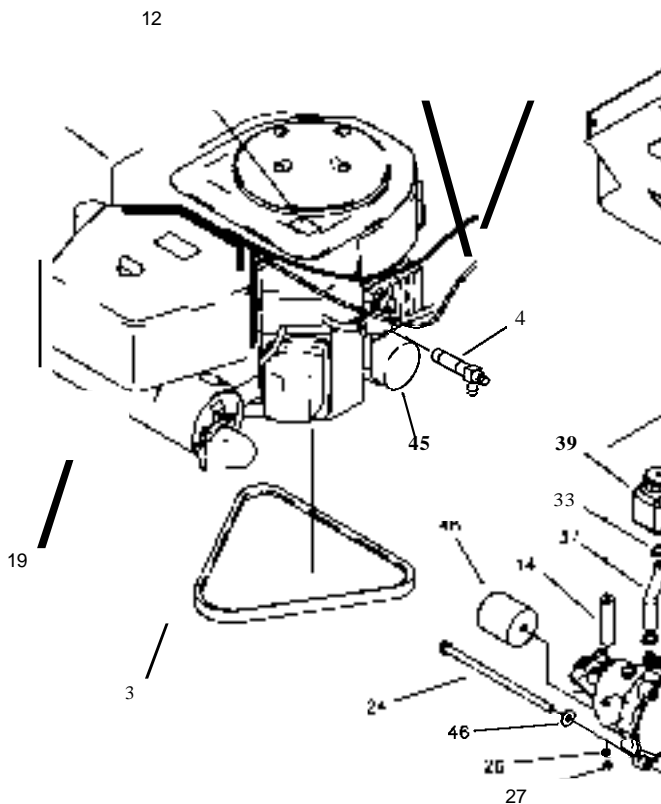
# MOTOR AND TRANSMISSION ASSEMBLY & RELATED PARTS FOR JAZEE SR210



| REF NO. | PART NO.   | QTY. | DESCRIPTION                  |
|---------|------------|------|------------------------------|
|         | M-5370     | 1    | 20 HP. BRIGGS ENGINE         |
|         | M-5367     | 1    | 26 HP. BRIGGS ENGINE         |
| 2       | E-6317     | 1    | CLUTCH-BRAKE, MAGSTOP 1"     |
| 3       | O-3524     | 1    | V-BELT-A71 KEVLAR            |
| 4       | H-2589     | 1    | OIL DRAIN VALVE              |
| 5       | F-1019-04  | 1    | 7/16 LOCK WASHER             |
| 6       | F-1904     | 1    | 7/16-20 X 2-1/2"             |
| 7       | 621-113P   | 1    | KEY. 1/4 SQ. X 1-1/4"        |
| 8       | F-1546     | 2    | 5/16-18 X 3/4" BOLT          |
| 9       | 659-119P   | 2    | FREE WHEEL ANCHOR            |
| 10      | H-2287     | 1    | CHOKE CABLE, 20HP & 26HP     |
| 11      | H-2236     | 1    | THROTTLE CABLE 26HP          |
|         | H-2402     | 1    | THROTTLE CABLE 20HP          |
| 12      | P-10077-11 | 1    | DECAL, "CLEAN"               |
| 13      | F-1228     | 1    | SETScrew, 1/4" X 1/4"        |
| 14      | 659-121P   | 2    | REAR HYDRO BRACE             |
| 15      | 0-3726     | 1    | MOTOR PULLEY, 1" BORE        |
| 16      | 0-3783-01  | 1    | TRANSAXLE HYORO (RH)         |
| 17      | 0-3783-02  | 1    | TRANSAXLE HYORO (LH)         |
| 18      | F-1009-01  | 4    | 1/4" FLAT WASHER             |
| 19      | H-2464     | 1    | MUFFLER FOR 26HP BRIGGS      |
| 20      | 659-D66P   | 2    | FREEWHEEL CHAIN W/SPRING     |
| 21      | 659-174W   | 1    | MOTOR MOUNT                  |
| 22      | H-2539     | 2    | FAN BLADE REPLACEMENT        |
| 23      | P-113B4    | 2    | DECAL, TIRE PRESSURE, 12 PSI |
| 24      | F-2048     | 1    | 3/8-16 X 12" HEX BOLT        |
| 25      | F-1009-05  | 4    | 1/2" FLAT WASHER             |
| 26      | F-1009-02  | 14   | 5/16" FLAT WASHER            |
| 27      | F-1125     | 8    | 5/16-18 LOCK NUT             |
| 28      | 659-015W   | 1    | CLUTCH STOP WELDMENT         |

| REF NO. | PART NO.  | QTY. | DESCRIPTION          |
|---------|-----------|------|----------------------|
| 29      | F-1015-02 | 8    | 1/4-20 X 5/8" GR. 5  |
| 30      | F-1158    | 8    | 1/4-20 LOCK NUTS     |
| 31      | O-3729    | 2    | TIRE, 18 X 8.5-8     |
| 32      | F-1499    | 8    | LUG NUT, 1/2 X 20    |
| 33      | 659-16QW  | 1    | BRACE WELDMENT       |
| 34      | 659-116P  | 2    | HYORO MOUNT BRACE    |
| 35      | F-1759    | 2    | 1/2-13 X 1" BOLT     |
| 36      | F-1652    | 2    | 5/16-18 X 6" BOLT    |
| 37      | F-1005-05 | 2    | 1/2" STOVER LOCK NUT |
| 38      | 659-120P  | 1    | HYDRO BRACE          |
| 39      | F-1544    | 4    | 5/16-18 X 3" BOLT    |
| 40      | 659-156P  | 2    | FAN SHROUD           |
| 41      | F-1009-03 | 2    | 3/8" FLAT WASHER     |
| 42      | F-1005-03 | 1    | 3/8-16 LOCK NUT      |
| 43      | E-6459    | 1    | CLUTCH PIGTAIL       |
| 44      | 606-347P  | 1    | 15/32" 1.0. WASHER   |

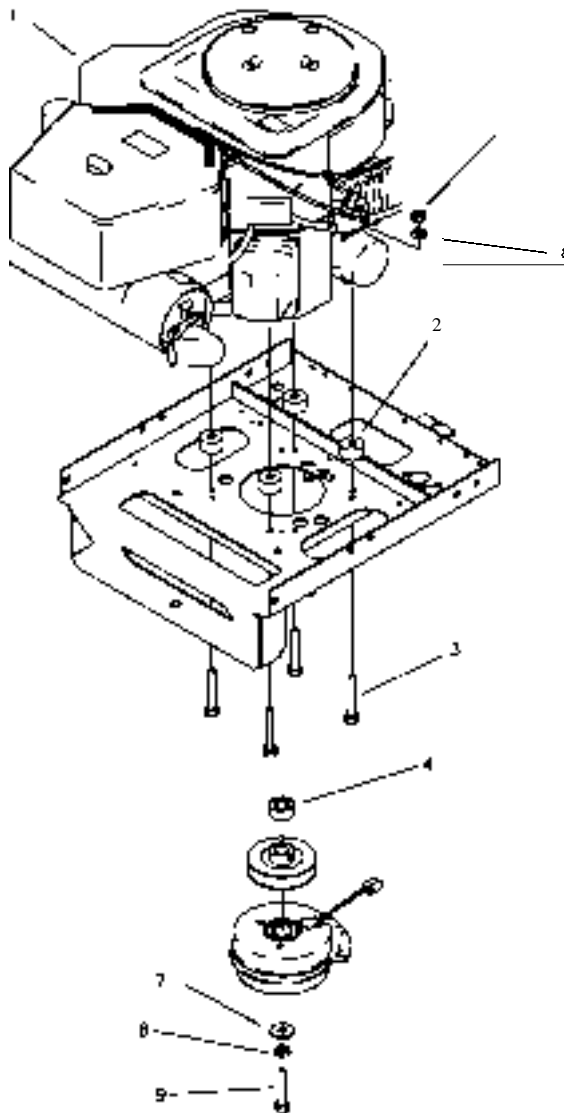
# MOTOR AND TRANSMISSION ASSEMBLY & RELATED PARTS FOR JAZEE PRO SR360



| REF NO. | PART NO.   | QTY. | DESCRIPTION                        |
|---------|------------|------|------------------------------------|
|         | M-5363     | 1    | 21 HP KAWASAKI ENGINE              |
|         | M-5371     | 1    | 27 HP KOHLER COURAGE ENGINE        |
| 2       | E-6247     | 1    | CLUTCH-BRAKE. 1-1/8" BORE          |
| 3       | O-3524     | 1    | V-BELT-A71 KEVLAR                  |
| 4       | H-2589     | 1    | OIL DRAIN (KOHLER)                 |
|         | H-259D     | 1    | OIL DRAIN (KAWASAKI)               |
| 5       | F-1D19-04  | 1    | 7/16 LOCK WASHER                   |
| 6       | F-1904     | 1    | 7/16-20 X 2-1/2"                   |
| 7       | 621-113P   | 1    | KEY, 1/4 SQ. X 1-1/4"              |
| 8       | F-1546     | 2    | 5/16-18 X 3/4" BOLT                |
| 9       | 659-119P   | 2    | FREE WHEEL ANCHOR                  |
| 10      | H-2404     | 1    | CHOKE CABLE, 27HP KOHLER           |
|         | H-2235     | 1    | CHOKE CABLE, 21 HP KAWASAKI        |
| 11      | H-2236     | 1    | THROTTLE CABLE                     |
| 12      | P-10077-11 | 1    | DECAL. "CLEAN"                     |
| 13      | F-1228     | 1    | SETSCREW, 1/4" X 1/4"              |
| 14      | 659-121P   | 2    | REAR HYDRO SPACER                  |
| 15      | 659-153P   | 1    | MOTOR PULLEY, 1" BORE              |
|         | 659-154P   | 1    | MOTOR PULLEY, 1-1/8" BORE          |
| 16      | O-3788-01  | 1    | TRANSAXLE ZT-2800 (RH)             |
| 17      | D-3788-02  | 1    | TRANSAXLE ZT-2800 (LH)             |
| 18      | F-1009-01  | 4    | 1/4" FLAT WASHER                   |
| 19      | H-2284     | 1    | MUFFLER FOR 21 HP KAWASAKI         |
|         | H-2513     | 1    | MUFFLER, 27HP KOHLER COURAGE       |
| 20      | B61-D66P   | 2    | FREEWHEEL CHAIN W/SPRING           |
| 21      | 659-174W   | 1    | MOTOR MOUNT                        |
| 22      | H-2539     | 2    | FAN BLADE REPLACEMENT              |
| 23      | P-11384    | 2    | DECAL. TIRE PRESSURE, 12 PSI       |
| 24      | F-2007     | 1    | 3/8-16 X 12-1/2" BOLT              |
| 25      | F-1009-05  | 4    | 1/2" FLAT WASHER                   |
| 26      | F-1009-02  | 14   | 5/16" FLAT WASHER                  |
| 27      | F-1125     | 8    | 5/16-18 LOCK NUT                   |
| 28      | 659-015W   | 1    | CLUTCH STOP WELDMENT               |
| 29      | F-1015-02  | B    | 1/4-20 X 5/8" GR. 5                |
| 30      | F-1158     | B    | 1/4-20 LOCK NUTS                   |
| 31      | O-3787     | 2    | TIRE, 20"-12 X 10 w 52" & 60" DECK |

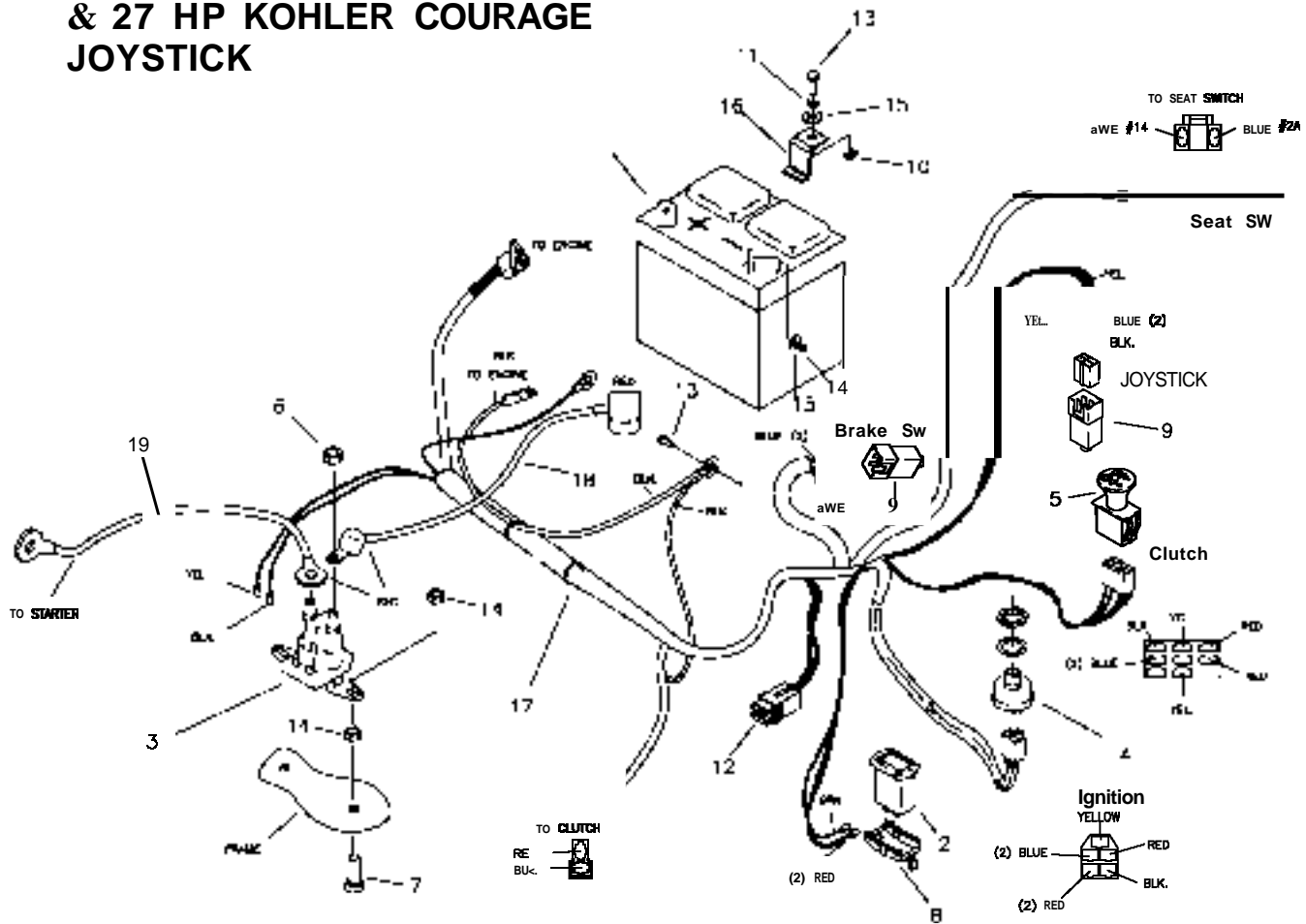
| REF NO. | PART NO.  | QTY. | DESCRIPTION                    |
|---------|-----------|------|--------------------------------|
|         | D-3353    | 2    | TIRE, 20"-10 X 10 (w/4S" DECK) |
| 32      | F-1499    | 8    | LUG NUT, 1/2 X 20              |
| 33      | H-2535    | 4    | HOSE CLAMP                     |
| 34      | F-1652    | 2    | 5/16-18 X 6" BOLT              |
| 35      | F-1005-05 | 2    | 1/2" STOVER LOCK NUT           |
| 36      | F-1492    | 2    | RUE RING, 5/16-3/8 PIN         |
| 37      | H-2549    | 2    | HOSE, 5" LONG                  |
| 38      | 659-173P  | 1    | HYDRO BRACE                    |
| 39      | O-3791    | 2    | SMALL HYDRO TANK               |
| 40      | 659-16QW  | 1    | BRACE WELDMENT                 |
| 41      | F-1759    | 2    | 1/2-13 X 1" BOLT               |
| 42      | 659-116P  | 2    | HYDRO MOUNT BRACE              |
| 43      | 659-156P  | 2    | FAN SHROUD                     |
| 44      | F-1544    | 4    | 5/16-18 X 3" BOLT              |
| 45      | H-2567    | 1    | OIL FILTER, JAZEE PRO          |
| 46      | F-1009-03 | 2    | 3/8" FLAT WASHER               |
| 47      | F-1005-03 | 1    | 3/8-16 LOCK NUT                |
| 48      | H-2567    | 2    | TRANSAXLE OIL FILTER           |
| 49      | 659-092P  | 2    | WHEEL BACKING PLATE            |
| 50      | E-6459    | 1    | CLUTCH PIGTAIL                 |
| 51      | H-2517    | 2    | VENT TUBE ADAPTER              |
| 52      | 606-347P  | 1    | 15/32" I.D. WASHER             |

**MOTOR AND TRANSMISSION  
ASSEMBLY & RELATED PARTS  
FOR JAZEE PRO SR360 (CON'T)**



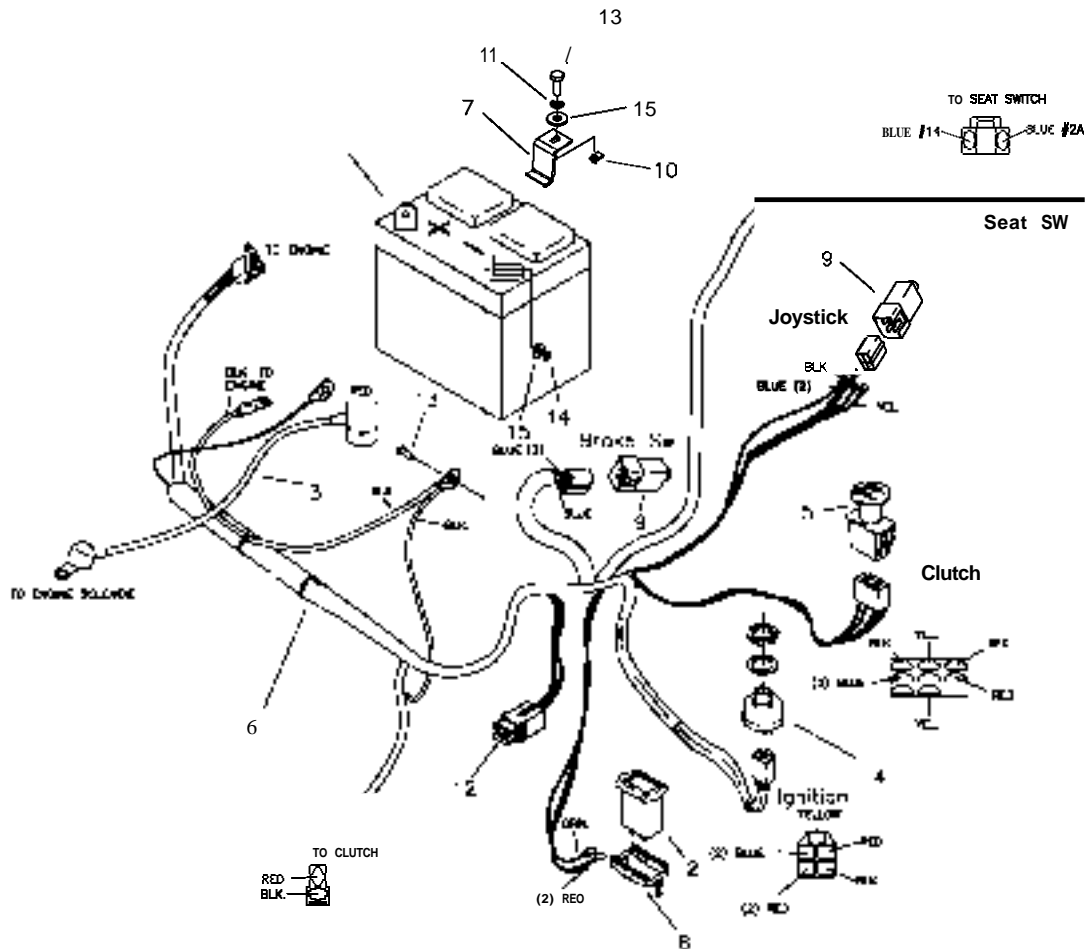
| REF NO. | PART NO.  | QTY. | DESCRIPTION                          |
|---------|-----------|------|--------------------------------------|
|         | M-5363    | 1    | 21 HP KAWASAKI ENGINE                |
|         | M-5371    | 1    | 27 HP KOHLER COURAGE ENGINE          |
| 2       | F-2045    | 4    | 0.47 x 1.38 x 0.69 SPACER (KOHLER)   |
|         | F-2046    | 4    | 0.33 x 1.38 x 0.50 SPACER (KAWASAKI) |
| 3       | F-1015-19 | 4    | 5/16-18 X 2" CAPSCREW (KAWASAKI)     |
|         | F-1394    | 4    | 3/8-16 x 1" 80LT (KOHLER)            |
| 4       | F-2043    | 1    | 1.14 x 1.50 x 0.69 SPACER (KOHLER)   |
|         | F-2044    | 1    | 1.14 x 1.50 x 0.50 SPACER (KAWASAKI) |
| 5       | F-1125    | 4    | 5/8-18 STOVER NUT (KAWASAKI)         |
| 6       | F-1019-02 | 4    | 5/16" LOCK WASHER (KAWASAKI)         |
| 7       | 606-347P  | 1    | 7/16 HEAVY FLAT WASHER               |
| 8       | F-1019-04 | 1    | 7/16" LOCK WASHER                    |
| 9       | F-1904    | 1    | 7/16-20 x 2-1/2" BOLT                |

# E-6405 WIRE HARNESS & RELATED PARTS FOR 20 HP, 26 HP BRIGGS, & 27 HP KOHLER COURAGE JOYSTICK



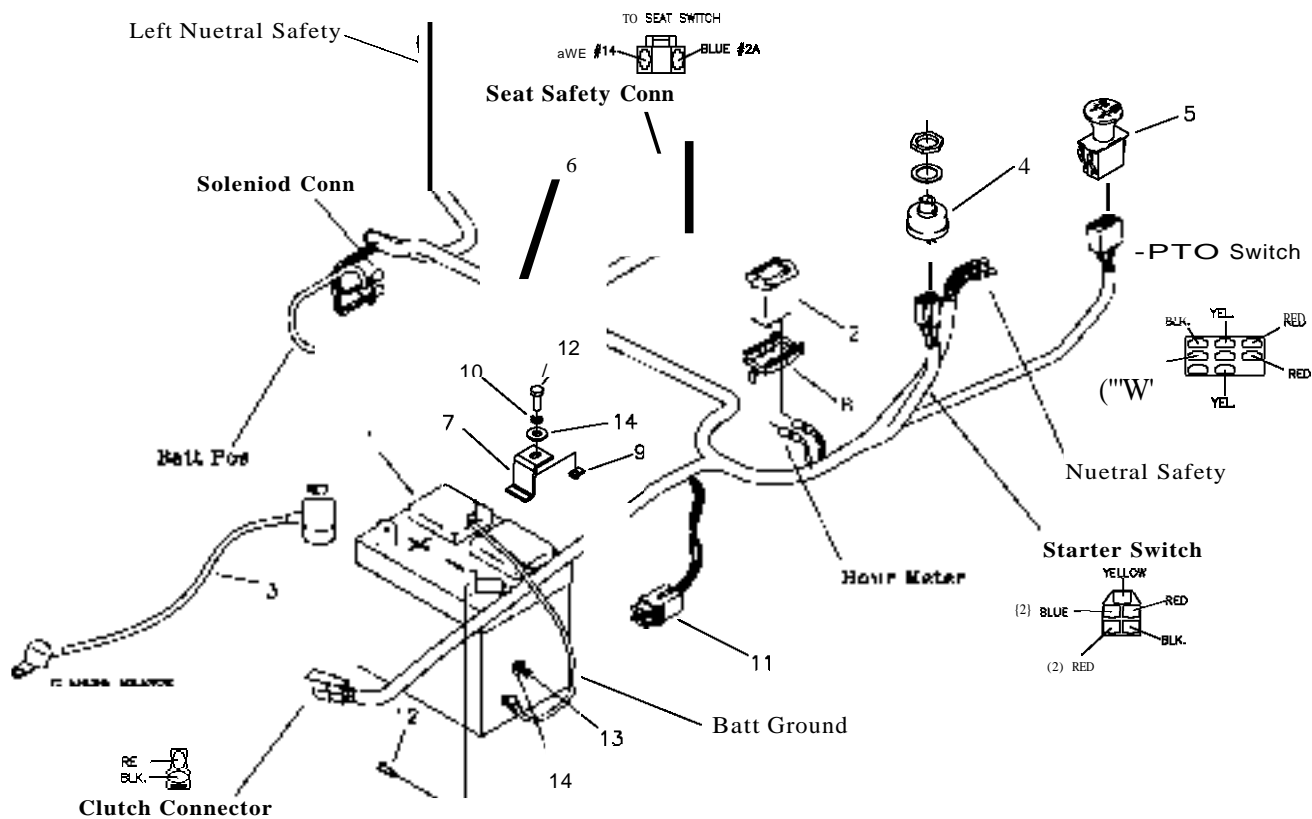
| REF NO.     | PART NO.  | QTY. | DESCRIPTION                |
|-------------|-----------|------|----------------------------|
| 1           | E-5812    | 1    | BATIERY                    |
| 2           | E-5878    | 1    | HOUR METER                 |
| 3           | E-6054    | 1    | SOLENOID                   |
| 4           | E-5873    | 1    | START SWITCH               |
| 5           | E-6403    | 1    | CLUTCH SWITCH              |
| 6           | F-1011-01 | 2    | 1/4-20 NUT                 |
| 7           | F-1D15-05 | 2    | 1/4-20 X 1" GR. 5          |
| B           | E-6369    | 1    | RETAINER CLIP              |
| 9           | E-6297    | 2    | BRAKE SWITCH               |
| 10          | F-1858    | 1    | 1/4-20 U-NUT               |
| 11          | F-1019-01 | 1    | 1/4" LOCK WASHER           |
| 12          | E-6207    | 2    | FUSE, HATC-30              |
| 13          | F-1538    | 3    | 1/4-20 X 3/4" GR. 5        |
| 14          | F-1158    | 6    | 1/4-20 LOCK NUT            |
| 15          | F-1009-D1 | 5    | 1/4" FLAT WASHER           |
| 16          | 659-137P  | 1    | BATIERY HOLD DOWN          |
| 17          | E-6405    | 1    | WIRE HARNESS               |
| 18          | E-6418    | 1    | CABLE, BATIERY TO SOLENOID |
| 19          | E-6419    | 1    | CABLE. SOLENOID TO ENGINE  |
| -NOT SHOWN- |           |      |                            |
|             | E-6374    | 1    | SEAT SWITCH                |
|             | E-6281    | 1    | COVER (KEY SWITCH)         |

# E-6415 WIRE HARNESS & RELATED PARTS FOR 21 HP KAWASAKI JOYSTICK



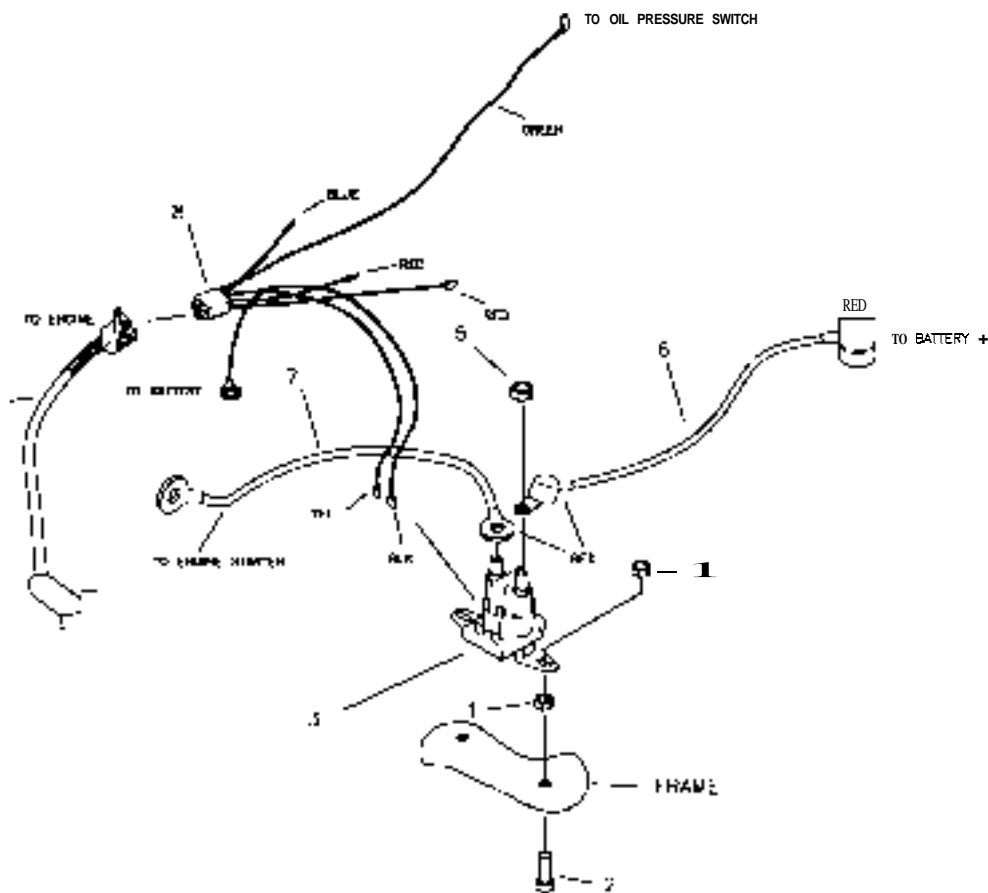
| REF NO. | PART NO.  | QTY. | DESCRIPTION                |
|---------|-----------|------|----------------------------|
| 1       | E-5812    | 1    | BATIERY                    |
| 2       | E-5878    | 1    | HOUR METER                 |
| 3       | E-6418    | 1    | CABLE, BATIERY TO SOLENOID |
| 4       | E-5873    | 1    | START SWITCH               |
| 5       | E-6403    | 1    | CLUTCH SWITCH              |
| 6       | E-6405    | 1    | WIRE HARNESS               |
| 7       | 659-137P  | 1    | BATIERY HOLD DOWN          |
| 8       | E-6369    | 1    | RETAINER CLIP              |
| 9       | E-6297    | 2    | BRAKE SWITCH               |
| 10      | F-1858    | 1    | 1/4-20 U-NUT               |
| 11      | F-1019-01 | 1    | 1/4" LOCK WASHER           |
| 12      | E-6207    | 2    | FUSE. #ATC-30              |
| 13      | F-1538    | 3    | 1/4-20 X 3/4" GR. 5        |
| 14      | F-1158    | 2    | 1/4-20 LOCK NUT            |
| 15      | F-1009-01 | 5    | 1 4" FLAT WASHER           |
|         |           |      | -NOT SHOWN-                |
|         | E-6374    | 1    | SEAT SWITCH                |
|         | E-6281    | 1    | COVER (KEY SWITCH)         |

**E-6416 WIRE HARNESS  
& RELATED PARTS  
20HP & 26HP BRIGGS  
21HP KAWASAKI  
27HP KOHLER  
(TWINSTICK)**



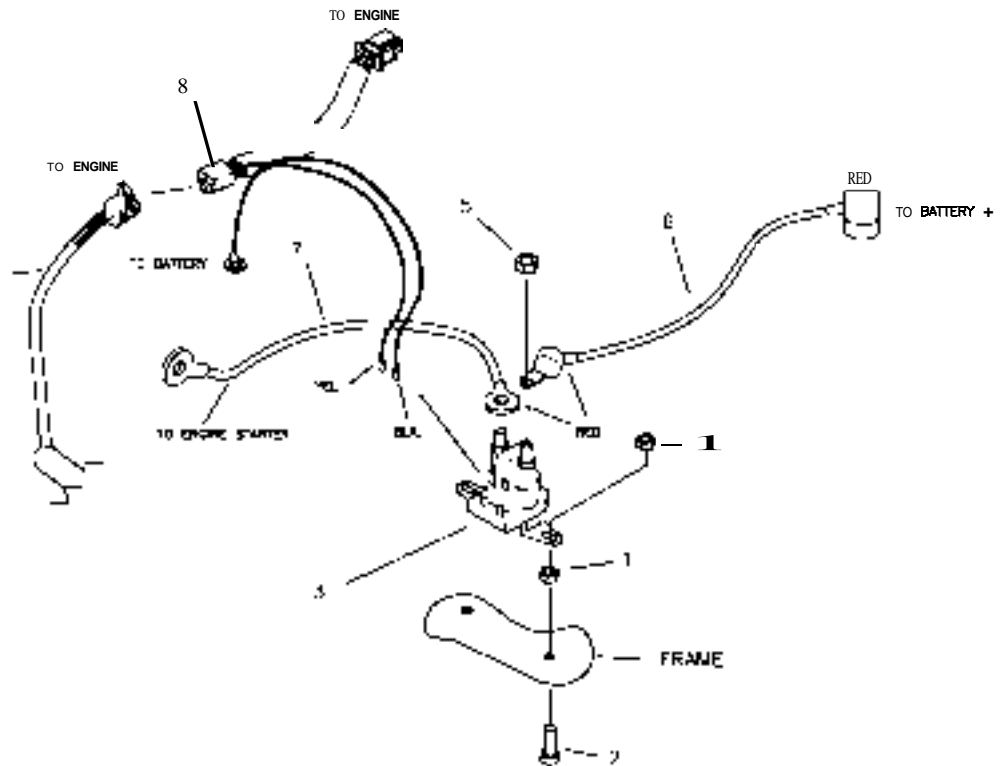
| REF NO. | PART NO.  | QTY. | DESCRIPTION                |
|---------|-----------|------|----------------------------|
| 1       | E-5812    | 1    | BATIERY                    |
| 2       | E-5878    | 1    | HOUR METER                 |
| 3       | E-6418    | 1    | CABLE. BATIERY TO SOLENOID |
| 4       | E-5873    | 1    | START SWITCH               |
| 5       | E-6403    | 1    | CLUTCH SWITCH              |
| 6       | E-6416    | 1    | WIRE HARNESS               |
| 7       | 659-137P  | 1    | BATIERY HOLD DOWN          |
| 8       | E-6369    | 1    | RETAINER CLIP              |
| 9       | F-1858    | 1    | 1/4-20 U-NUT               |
| 10      | F-1019-01 | 1    | 1/4" LOCK WASHER           |
| 11      | E-6207    | 2    | FUSE. #ATC-30              |
| 12      | F-1538    | 3    | 1/4-20 X 3/4" GR. 5        |
| 13      | F-1158    | 2    | 1/4-20 LOCK NUT            |
| 14      | F-1009-01 | 5    | 1 4" FLAT WASHER           |
|         |           |      | -NOT SHOWN-                |
|         | E-6374    | 1    | SEAT SWITCH                |
|         | E-6281    | 1    | COVER (KEY SWITCH)         |

## E-6417 KAWASAKI ADAPTER HARNESS & RELATED PARTS



| REF NO. | PART NO.  | QTY. | DESCRIPTION                     |
|---------|-----------|------|---------------------------------|
| 1       | F-1158    | 4    | 1/4-20 LOCK NUT                 |
| 2       | F-1015-05 | 2    | 1/4-20 X 1" GR. 5               |
| 3       | E-6054    | 1    | SOLENOID                        |
| 4       | E-6415    | 1    | KOHLER WIRE HARNESS (JOYSTICK)  |
|         | E-6416    |      | KOHLER WIRE HARNESS (TWINSTICK) |
| 5       | F-1011-01 | 2    | 1/4-20 NUT                      |
| 6       | E-6418    | 1    | CABLE, BATTERY TO SOLENOID      |
| 7       | E-6419    | 1    | CABLE, SOLENOID TO ENGINE       |
| 8       | E-6417    | 1    | KAWASAKI HARNESS ADAPTER        |

E-6436 ADAPTER  
 HARNESS & RELATED PARTS  
 20 HP BRIGGS  
 26 HP BRIGGS  
 27 HP KOHLER  
 TWINSTICKS



| REF NO. | PART NO.  | QTY. | DESCRIPTION                     |
|---------|-----------|------|---------------------------------|
| 1       | F-1158    | 4    | 1/4-20 LOCK NUT                 |
| 2       | F-1015-05 | 2    | 1/4-20 X 1" GR. 5               |
| 3       | E-6054    | 1    | SOLENOID                        |
| 4       | E-6415    | 1    | KOHLER WIRE HARNESS (JOYSTICK)  |
|         | E-6416    |      | KOHLER WIRE HARNESS (TWINSTICK) |
| 5       | F-1011-01 | 2    | 1/4-20 NUT                      |
| 6       | E-6418    | 1    | CABLE. BATTERY TO SOLENOID      |
| 7       | E-6419    | 1    | CABLE. SOLENOID TO ENGINE       |
| 8       | E-6436    | 1    | BRIGGS ENGINE ADAPTER           |